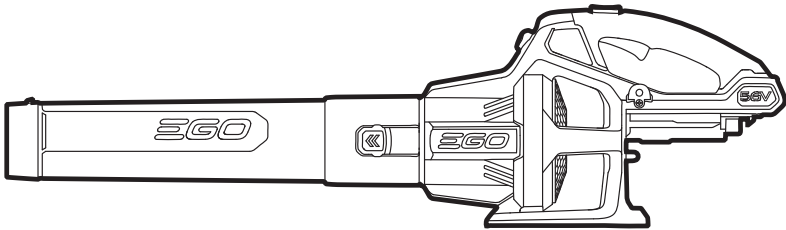


# EGO™

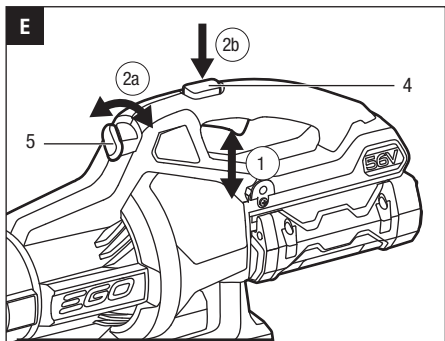
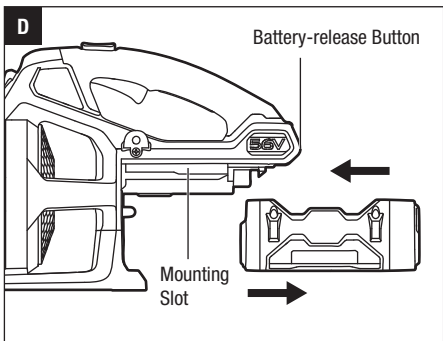
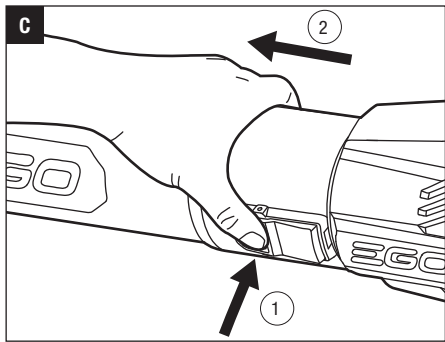
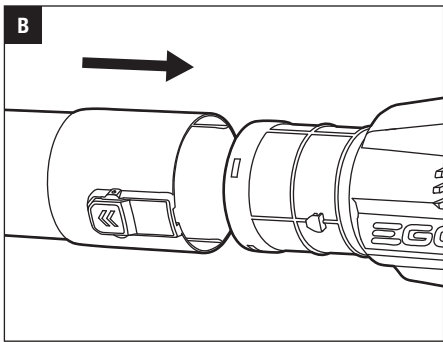
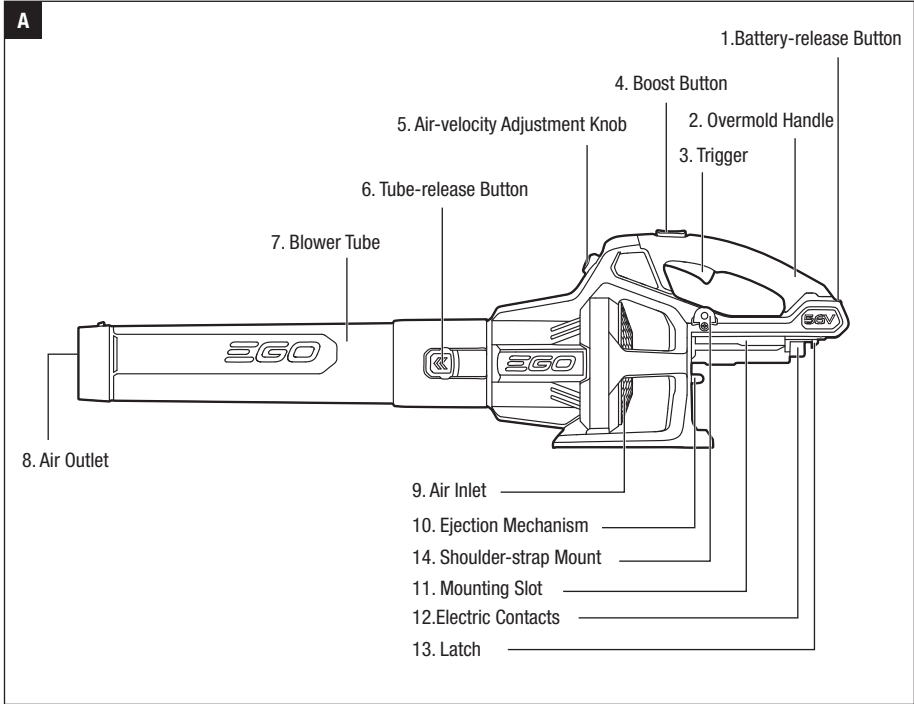
POWER<sup>+</sup> BLOWER



OPERATOR'S MANUAL  
**56 VOLT LITHIUM-ION  
CORDLESS BLOWER**

MODEL NUMBER LB5300E

**⚠ WARNING:** To reduce the risk of injury, the user must read and understand the Operator's Manual before using this product. Save these instructions for future reference.



## READ ALL INSTRUCTIONS!



### READ & UNDERSTAND INSTRUCTION MANUAL

**NOTICE:** These instructions shall also be available in an alternative format, e.g. on a website.

**⚠ Residual risk!** People with electronic devices, such as pacemakers, should consult their physician(s) before using this product. Operation of electrical equipment in close proximity to a heart pacemaker could cause interference or failure of the pacemaker.

**⚠ WARNING:** To ensure safety and reliability, all repairs and replacements should be performed by a qualified service technician.

## SAFETY SYMBOLS

The purpose of safety symbols is to attract your attention to possible dangers. The safety symbols and the explanations with them deserve your careful attention and understanding. The symbol warnings do not, by themselves, eliminate any danger. The instructions and warnings they give are no substitutes for proper accident prevention measures.

**⚠ WARNING:** Be sure to read and understand all safety instructions in this Operator's Manual, including all safety alert symbols such as "DANGER," "WARNING," and "CAUTION" before using this tool. Failure to following all instructions listed below may result in electric shock, fire, and/or serious personal injury.

### DAMAGE PREVENTION AND INFORMATION MESSAGES

These inform the user of important information and/or instructions that could lead to equipment or other property damage if they are not followed. Each message is preceded by the word "NOTICE", as in the example below:

**NOTICE:** Equipment and/or property damage may result if these instructions are not followed.



**⚠ WARNING:** The operation of any power tools can result in foreign objects being thrown into your eyes, which can result in severe eye damage. Before beginning power tool operation, always wear safety goggles or safety glasses with side shields and a full face shield when needed. We recommend a Wide Vision Safety Mask for use over eyeglasses or standard safety glasses with side shields.

## SAFETY INSTRUCTIONS

This page depicts and describes safety symbols that may appear on this product. Read, understand, and follow all instructions on the machine before attempting to assemble and operate.

	Safety Alert	Precautions that involve your safety.
	Wear Eye Protection	Always wear safety goggles or safety glasses with side shields and a full face shield when operating this product.
	Wear Ear Protection	Always wear ear protection when operating this product.
	Read Operator's Manual	To reduce the risk of injury, user must read and understand operator's manual before using this product.
	Keep Bystanders Away	Keep all bystanders at least 15m away.
	Class II Construction	Double-insulated Construction.
IPX4	Ingress Protection Degree	Protection from splashing water
V	Volt	Voltage
A	Amperes	Current
Hz	Hertz	Frequency (cycles per second)
W	Watt	Power
min	Minutes	Time
m <sup>3</sup> /h	Cubic Metre Per Hour	Air volume
km/h	Kilometers Per Hour	Air velocity
	Alternating Current	Type of current
	Direct Current	Type or a characteristic of current
n <sub>0</sub>	No Load Speed	Rotational speed, at no load
... /min	Per Minute	Revolutions per minute

When using an electrical appliance, basic precautions should always be followed, including the following:

## GENERAL POWER TOOL SAFETY WARNINGS

**⚠ WARNING:** Read all safety warnings and instructions. Failure to follow the warnings and instructions may result in electric shock, fire and/or serious injury.

**Save all warnings and instructions for future reference.**

The term “power tool” in the warnings refers to your mains-operated (corded) power tool or battery-operated (cordless) power tool.

### WORK AREA SAFETY

- **Keep work area clean and well lit.** Cluttered or dark areas invite accidents.
- **Do not operate power tools in explosive atmospheres, such as in the presence of flammable liquids, petrol or dust.** Power tools create sparks which may ignite the dust or fumes.
- **Keep children and bystanders away while operating a power tool.** Distractions can cause you to lose control.

### ELECTRICAL SAFETY

- **Power tool plugs must match the outlet. Never modify the plug in any way. Do not use any adaptor plugs with earthed (grounded) power tools.** Unmodified plugs and matching outlets will reduce risk of electric shock
- **Avoid body contact with earthed or grounded surfaces, such as pipes, radiators, ranges and refrigerators.** There is an increased risk of electric shock if your body is earthed or grounded.
- **Do not expose power tools to rain or wet conditions.** Water entering a power tool will increase the risk of electric shock.
- **Do not abuse the cord. Never use the cord for carrying, pulling or unplugging the power tool. Keep cord away from heat, oil, sharp edges or moving parts.** Damaged or entangled cords increase the risk of electric shock.
- **When operating a power tool outdoors, use an extension cord suitable for outdoor use.** Use of a cord suitable for outdoor use reduces the risk of electric shock.
- **If operating a power tool in a damp location is unavoidable, use a Ground-fault circuit interrupter protected supply.** Use of GFCI reduces the risk of electric shock.

### PERSONAL SAFETY

- **Stay alert, watch what you are doing and use common sense when operating a power tool. Do not use a power tool while you are tired or under the influence of drugs, alcohol, or medication.** A moment of inattention while operating power tools may result in serious personal injury.
- **Use personal protective equipment. Always wear eye protection.** Protective equipment such as dust mask, non-skid safety shoes, hard hat, or hearing protection used for appropriate conditions will reduce personal injuries.
- **Prevent unintentional starting. Ensure the switch is in the off-position before connecting to power source and/or battery pack, picking up or carrying the tool.** Carrying power tools with your finger on the switch or energizing power tools that have the switch on invites accidents.
- **Remove any adjusting key or wrench before turning the power tool on.** A wrench or a key left attached to a rotating part of the power tool may result in personal injury.
- **Do not overreach. Keep proper footing and balance at all times.** This enables better control of the power tool in unexpected situations.
- **Dress properly. Do not wear loose clothing or jewelry. Keep your hair, clothing and gloves away from moving parts.** Loose clothes, jewelry or long hair can be caught in moving parts.
- **If devices are provided for the connection of dust extraction and collection facilities, ensure these are connected and properly used.** Use of dust devices can reduce dust-related hazards.

### POWER TOOL USE AND CARE

- **Do not force the power tool. Use the correct power tool for your application.** The correct power tool will do the job better and safer at the rate for which it was designed.
- **Do not use the power tool if the switch does not turn it on and off.** Any power tool that cannot be controlled with the switch is dangerous and must be repaired.
- **Disconnect the plug from the power source and/or the battery pack from the power tool before making any adjustments, changing accessories, or storing power tools.** Such preventive safety measures reduce the risk of starting the power tool accidentally.

- **Store idle power tools out of the reach of children and do not allow persons unfamiliar with the power tool or these instructions to operate the power tool.** Power tools are dangerous in the hands of untrained users.
- **Maintain power tools. Check for misalignment or binding of moving parts, breakage of parts and any other condition that may affect the power tool's operation. If damaged, have the power tool repaired before use.** Many accidents are caused by poorly maintained power tools.
- **Keep cutting tools sharp and clean.** Properly maintained cutting tools with sharp cutting edges are less likely to bind and are easier to control.
- **Use the power tool, accessories and tool bits etc. in accordance with these instructions, taking into account the working conditions and the work to be performed.** Use of the power tool for operations different from those intended could result in a hazardous situation.

#### BATTERY TOOL USE AND CARE

- **Recharge only with the charger specified by the manufacturer.** A charger that is suitable for one type of battery pack may create a risk of fire when used with another battery pack.
- **Use power tools only with specifically designated battery packs.** Use of any other battery packs may create a risk of injury and fire.
- **When battery pack is not in use, keep it away from other metal objects, like paper clips, coins, keys, nails, screws or other small metal objects that can make a connection from one terminal to another.** Shorting the battery terminals together may cause burns or a fire.
- **Under abusive conditions, liquid may be ejected from the battery; avoid contact. If contact accidentally occurs, flush with water. If liquid contacts eyes, additionally seek medical help.** Liquid ejected from the battery may cause irritation or burns.

#### SERVICE

- **Have your power tool serviced by a qualified repair person using only identical replacement parts.** This will ensure that the safety of the power tool is maintained.

#### READ ALL INSTRUCTIONS BEFORE USING THIS PRODUCT!

#### TRAINING

- **Read the instructions carefully.** Be familiar with the controls and the proper use of the appliance.
- **Never allow children, persons with reduced physical, sensory or mental capabilities or lack of experience and knowledge or people unfamiliar with these instructions to use the machine.**
- **Never allow people unfamiliar with these instructions to use the appliance.** Local regulations may restrict the age of the operator.
- **Never operate the appliance while people, especially children, or pets are nearby.**
- **The operator or user is responsible for accidents or hazards occurring to other people or their property.**

#### PREPARATION

- **While operating the appliance, always wear substantial footwear and long trousers.**
- **Do not wear loose clothing or jewellery that can be drawn into the air inlet.** Keep long hair away from the air inlets.
- **Wear protective goggles while operating.**
- **To prevent dust irritation the wearing of a face mask is recommended.**
- **Before using, check the batteries or battery packs for damage.** Do not use the appliance if the batteries or battery pack is damaged.
- **Never operate the appliance with defective guards or shields, or without safety devices, for example debris collector in place.**

#### OPERATION

- **Disconnect the batteries or battery packs:**
  1. Whenever you leave the machine;
  2. Before clearing a blockage;
  3. Before checking, cleaning or working on the appliance;
  4. If the appliance starts to vibrate abnormally.
- **Operate the appliance only in daylight or in good artificial light.**
- **Do not overreach and keep your balance at all times.**
- **Always be sure of your footing on slopes.**
- **Walk, never run.**
- **Keep all cooling air inlets clear of debris.**
- **Never blow debris in the direction of bystanders.**

- Recommendation to operate the machine only at reasonable hours – not early in the morning or late at night when people might be disturbed.
- Recommendation to use rakes and brooms to loosen debris before blowing.
- Recommendation to slightly dampen surfaces in dusty conditions or use mister attachment.

**⚠ WARNING:** Danger of rotating parts!

- Use the full blower nozzle extension so the air stream can work close to the ground.
- Not to operate the machine near open windows, etc.

## MAINTENANCE AND STORAGE

- Keep all nuts, bolts and screws tight to be sure the appliance is in safe working condition.
- Check the debris collector frequently for wear or deterioration.
- Replace worn or damaged parts.
- Use only genuine replacement parts and accessories
- Store the appliance only in a dry place.

**⚠ WARNING:** To ensure safety and reliability, all repairs should be performed by a qualified service technician.

**⚠ WARNING:** To reduce risk of fire, electric shock, or injury:

**IMPORTANT  
READ CAREFULLY BEFORE USE.  
KEEP FOR FUTURE REFERENCE.**

- Know your power blower. Read the instruction manual carefully. Learn the blower's applications and limitations, as well as the specific potential hazards related to this blower. Following this rule will reduce the risk of electric shock, fire, or serious injury.
- Don't expose the blower to rain or wet conditions. Water entering a blower will increase the risk of electric shock.
- Do not allow the blower to be used as a toy. Close attention is necessary when used by or near children.
- Use only as described in this manual. Use only manufacturer's recommended attachments.
- If the blower is not working as it should, has been dropped, damaged, left outdoors, or dropped into water, return it to a service center.
- Do not handle the charger, including charger plug, or charger terminals with wet hands.

- Do not put any object into any openings. Do not use with any opening blocked; keep openings free of dust, lint, hair, and anything that may reduce air flow.
- Keep hair, loose clothing, fingers, and all parts of body away from openings and moving parts. Loose clothes, jewelry, or long hair can be drawn into air vents.
- Secure long hair above shoulder level to prevent entanglement in moving parts.
- Use extra care when cleaning on stairs.
- Do not charge the battery pack outdoors.
- Use only the charger supplied by the manufacturer to recharge.
- Do not leave blower unattended when the battery is inserted. Remove the battery when the blower is not in use and before servicing.
- Do not operate blowers in explosive atmospheres, such as in the presence of flammable liquids, gases, or dust. Blowers create sparks which may ignite the dust or fumes.
- Use the battery operated blower only with specifically designated battery pack. Use of any other batteries may create a risk of fire.
- Use only with battery packs and chargers listed below.

BATTERY PACK	CHARGER
BA1120E, BA1400, BA2240E BA2800, BA3360, BA4200	CH5500E, CH2100E

**⚠ WARNING:**

- The battery pack must be removed from the appliance before it is scrapped.
- The battery shall be disposed of safely.
- Stay alert, watch what you are doing and use common sense when operating a power blower. Do not use the blower while tired, upset, or under the influence of drugs, alcohol, or medication. A moment of inattention while operating blowers may result in serious personal injury.
- Avoid accidental starting. Be sure that the switch is in the locked or off position before inserting the battery pack. Carrying blowers with your finger on the switch or inserting the battery pack into a blower with the switch on invites accidents.
- Use safety equipment. Always wear eye protection. Dust mask, non-skid safety shoes, hard hat, or hearing protection must be used for appropriate conditions.

- **Do not use on a ladder, rooftop, tree, or other unstable support.** Stable footing on a solid surface enables better control of the blower in unexpected situations.
- Always take care of your feet, children, or pets around you when removing the battery pack from blower. **Serious injury could result if the battery pack falls. NEVER remove the battery pack when in a high position.**
- **Do not use the blower if switch does not turn it on or off.** A blower that cannot be controlled with the switch is dangerous and must be repaired.
- **Disconnect the battery pack from the blower before making any adjustments, changing accessories, or storing the blower.** Such preventive safety measures reduce the risk of starting the blower accidentally.
- **Turn off all controls before removing the battery.**
- **DO NOT** attempt to clear clogs from the unit without first removing the battery.
- **Check for misalignment or binding of moving parts, breakage of parts, and any other condition that may affect the blower's operation. If damaged, have the blower serviced before using.** Many accidents are caused by poorly maintained blowers.
- **Keep the blower and its handle dry, clean and free from oil and grease.** Always use a clean cloth when cleaning. Never use brake fluids, gasoline, petroleum-based products, or any strong solvents to clean your blower. Following this rule will reduce the risk of loss of control and deterioration of the enclosure plastic.
- **Always wear safety glasses with side shields.** Everyday glasses have only impact resistant lenses. They are NOT safety glasses. Following this rule will reduce the risk of eye injury.
- **Protect your lungs. Wear a face or dust mask if the operation is dusty.** Following this rule will reduce the risk of serious personal injury.
- **Protect your hearing. Wear hearing protection during extended periods of operation.** Following this rule will reduce the risk of serious personal injury.
- **Battery powered blowers do not have to be plugged into an electrical outlet; therefore, they are always in operating condition. Be aware of possible hazards when not using your battery powered blower or when changing accessories.** Following this rule will reduce the risk of electric shock, fire, or serious personal injury.
- **Wear heavy long trousers, long sleeves, boots, and gloves.** Avoid loose garments or jewelry that could get caught in moving parts of the machine or its motor.
- **Do not operate the equipment while barefoot or when wearing sandals or similar lightweight footwear.** Wear protective footwear that will protect your feet and improve your footing on slippery surfaces.
- **Batteries can explode in the presence of a source of ignition, such as a pilot light.** To reduce the risk of serious personal injury, never use any cordless product in the presence of an open flame. An exploded battery can propel debris and chemicals. If exposed, flush with water immediately.
- **Keep firm footing and balance. Do not overreach.** Overreaching can result in loss of balance.
- **Check the work area before each use.** Remove all objects such as rocks, broken glass, nails, wire, or string which can be thrown by or become entangled in the machine.
- **Do not point the blower tube in the direction of people or pets.**
- **Never run the unit without the proper equipment attached.** Always ensure that the blower tube is installed.
- **When not in use, the blower should be stored indoors in a dry, secure place out of the reach of children.**
- **Keep all bystanders, children, and pets at least 15m away.**
- **Blower service must be performed only by qualified repair personnel.** Service or maintenance performed by unqualified personnel may result in a risk of injury.
- **When servicing a blower, use only identical replacement parts.** Follow instructions in the Maintenance section of this manual. Use of unauthorized parts or failure to follow Maintenance Instructions may create a risk of shock or injury.
- **Never use the blower near fires or hot ashes.** Use near fires or ashes can spread fires and result in serious injury and/or property damage.
- **Never use blower to spread chemicals, fertilizers, or any other toxic substances.** Spreading these substances could result in serious injury to the operator or bystanders.
- **Never place the blower on any surface, except a hard, clean surface when the motor is running.** Gravel, sand, and other debris can be picked up by the air inlet and thrown at the operator or bystanders, causing possible serious injuries.
- **Save these instructions.** Refer to them frequently and use them to instruct others who may use this tool. If you loan this tool to someone else, also loan these instructions to them to prevent misuse of the product and possible injury.

**SAVE THESE INSTRUCTIONS!**

## SPECIFICATIONS

Voltage	56V
No Load Speed	Boost: 23000 /min
	High: 18000 /min
	Low: 10000 /min
Air Volume	Boost: 900 m <sup>3</sup> /h
	High: 675 m <sup>3</sup> /h
	Low: 440 m <sup>3</sup> /h
Air Velocity	Boost: 176 km/h
	High: 136 km/h
	Low: 80 km/h
Approx. Run Time (with EGO 2.5Ah battery)	10 min. (Boost)
	23 min. (High speed)
	75 min. (Low speed)
Blower Weight (without battery pack)	2.18 kg

## PACKING LIST

PART NAME	QUANTITY
Blower	1
Blower tube	1
Operator's manual	1

## DESCRIPTION

### KNOW YOUR BLOWER (Fig. A)

- Battery-release Button
- Overmold Handle
- Trigger
- Boost Button
- Air-velocity Adjustment Knob
- Tube-release Button
- Blower Tube
- Air Outlet
- Air Inlet
- Ejection Mechanism
- Mounting Slot

- Electric Contacts
- Latch
- Shoulder-strap Mount

**⚠ WARNING:** The safe use of this product requires an understanding of the information on the tool and in this instruction manual as well as knowledge of the project you are attempting. Before use of this product, familiarize yourself with all operating features and safety rules.

## OPERATION

**⚠ WARNING:** Do not allow familiarity with this product to make you careless. Remember that a careless fraction of a second is sufficient to inflict serious injury.

**⚠ WARNING:** Do not attempt to modify this product or create accessories not recommended for use with this blower. Any such alteration or modification is misuse and could result in a hazardous condition leading to possible serious personal injury.

**⚠ WARNING:** Always remove the battery pack from the product when you are assembling parts, making adjustments, cleaning, or when not in use. Removing the battery pack will prevent accidental starting that could cause serious personal injury.

Before each use, inspect the entire product for damaged, missing, or loose parts, such as screws, nuts, bolts, caps, etc. Tighten securely all fasteners and caps and do not operate this product until all missing or damaged parts are replaced.

## APPLICATION

You may use this product for the purposes listed below:

- Clearing hard surfaces such as driveways and walkways.
- Keeping decks and driveways free from leaves and pine needles.

**NOTICE:** The tool is to be used only for its prescribed purpose. Any other use is deemed to be a case of misuse.

## ASSEMBLING/REMOVING THE BLOWER TUBE

### ■ To Assemble (Fig. B)

Align the groove and push the tube onto the blower housing until you hear a “click”.

### ■ To Remove (Fig. C)

Press the tube-release button and pull the tube out.



## INSTALLING/REMOVING THE BATTERY PACK (Fig. D)

### Charge before first use.

#### ■ To install

Align the battery ribs with the mounting slots and press the battery pack down until you hear a “click”.

#### ■ To remove

Depress the battery-release button and pull the battery pack out.

**⚠ WARNING:** Always take care to note the location of your feet, children, or pets when pressing the battery-release button. Serious injury could result if the battery pack falls. NEVER remove the battery pack when in a high location.

## STARTING/STOPPING THE BLOWER (Fig. E)

#### ■ To Start

Depress the trigger and hold it. After a short delay, the blower will begin to run.

#### ■ To Stop

Release the trigger.

## ADJUSTING THE AIR VELOCITY

#### ■ To Increase/Reduce the Air Velocity

Turn the air velocity adjusting knob clockwise/counterclockwise.

#### ■ To Enhance the Air Velocity

Press the boost button to achieve the maximum air speed.

**NOTICE:** Once the boost button is released, the blower will resume the previous speed.

## OPERATING THE BLOWER

- To keep from scattering debris, blow around the outer edges of a debris pile. Never blow directly into the center of a pile.
- To reduce sound levels, limit the number of pieces of equipment used at any one time.
- Use rakes and brooms to loosen debris before blowing. In dusty conditions, slightly dampen surfaces when water is available.
- Conserve water by using power blowers instead of hoses for many lawn and garden applications, including areas such as gutters, screens, patios, grills, porches, and gardens.
- Watch out for children, pets, open windows, or freshly washed cars, and blow debris safely away.

- After using blowers or other equipment, clean up! Dispose of debris properly.

## MAINTENANCE

**⚠ WARNING:** When servicing, use only identical replacement parts. Use of any other parts may create a hazard or cause product damage. To ensure safety and reliability, all repairs should be performed by a qualified service technician.

**⚠ WARNING:** To avoid serious personal injury, always remove the battery pack from the product when cleaning or performing any maintenance.

## GENERAL MAINTENANCE

Avoid using solvents when cleaning plastic parts. Most plastics are susceptible to damage from various types of commercial solvents and may be damaged by their use. Use clean cloths to remove dirt, dust, oil, grease, etc.

**⚠ WARNING:** Do not at any time let brake fluids, petrol, petroleum-based products, penetrating oils, etc., come in contact with plastic parts. Chemicals can damage, weaken or destroy plastic which may result in serious personal injury.

## STORAGE

- Clean all foreign material from the air inlets of the blower.
- Store indoors in a place that is inaccessible to children. Keep away from corrosive agents, such as garden chemicals and de-icing salts.

## Protecting the environment



Do not dispose of electrical appliances as unsorted municipal waste, use separate collection facilities.

Contact your local government for information regarding the collection systems available.

If electrical appliances are disposed of in landfills or dumps, hazardous substances can leak into the groundwater and get into the food chain, damaging your health and well-being.

## TROUBLESHOOTING

PROBLEM	CAUSE	SOLUTION
Blower doesn't work.	<ul style="list-style-type: none"><li>■ The battery pack is not attached to the blower.</li><li>■ No electrical contact between the blower and battery.</li><li>■ The battery pack is depleted.</li><li>■ The battery pack or blower is too hot.</li></ul>	<ul style="list-style-type: none"><li>■ Attach the battery pack to the blower.</li><li>■ Remove battery, check contacts and reinstall the battery pack.</li><li>■ Charge the battery pack.</li><li>■ Cool the battery pack and blower until the temperature drops below 67°C.</li></ul>
The air velocity decreases significantly.	<ul style="list-style-type: none"><li>■ Excessive wearing of motor fan.</li><li>■ The air inlet is blocked by debris.</li></ul>	<ul style="list-style-type: none"><li>■ Contact EGO service center for repair.</li><li>■ Remove the battery pack, clear the debris.</li></ul>

---

## WARRANTY

### EGO WARRANTY POLICY

5 year warranty on EGO outdoor power equipment and 3 year warranty on EGO Power+ System battery packs and chargers.

**Please contact EGO customer service on Australia 1300 000 EGO(1300 000 346), New Zealand 0508 000 EGO (0508 000 346) any time you have questions or warranty claims.**

### LIMITED SERVICE WARRANTY

FOR FIVE YEARS from the date of original retail purchase, this EGO product is warranted against defects in material or workmanship. Defective product will receive free repair.

FOR THREE YEARS from the date of original retail purchase, the EGO Power+ System battery pack and charger are warranted against defects in material or workmanship. Defective product will receive free repair.

This warranty does not cover routine maintenance parts and consumables that can wear out from normal use within the warranty period.

- This warranty applies only to the original purchaser at retail and may not be transferred.
- The warranty period for any EGO product or part used for industrial, professional or commercial purpose is one year.
- This warranty is void if the product has been used for rental purpose.
- This warranty does not cover the damage resulting from modification, alteration or unauthorized repair.
- This warranty only covers defects arising under normal usage and does not cover any malfunction, failure or defect resulting from misuse, abuse (including overloading of the product beyond capacity and exposure to water or rain), accidents, neglect or lack of proper installation, and improper maintenance or storage.
- This warranty does not cover normal deterioration of the exterior finish, including but not limited to scratches, dents, paint chips, or to any corrosion or discoloring by heat, abrasive and chemical cleaners.

## HOW TO OBTAIN SERVICE

For warranty service, please contact EGO customer service on Australia 1300 000 EGO(1300 000 346), New Zealand 0508 000 EGO (0508 000 346). When requesting warranty service, you must present the original dated sales receipt. An authorized service center will be selected to repair the product according to the stated warranty terms.

### ADDITIONAL LIMITATIONS

Chervon Australia Pty Ltd ABN 36 165 077 501 (“Chervon”) warrants to the original domestic purchaser that this product will be free from defects in materials and workmanship for 5 years from date of purchase, and any battery or charger will be free from defects in materials and workmanship for 3 years from date of purchase. To make a claim, return the faulty item together with proof of purchase directly to your closest service agent or to the place of purchase. Any handling and transportation costs (and other expenses incurred in claiming this warranty) are not covered by this warranty and will not be borne by Chervon. The replacement product or part or repaired product will be made available for your collection at an address nominated by Chervon. Where a valid warranty claim is made, Chervon will replace the defective product or repair the fault. Where the product is repaired, Chervon may use refurbished parts. This warranty does not cover normal wear and tear, misuse or abuse. This warranty may also be further limited or voided as specifically detailed in the product Manual. Chervon has no other liability under this warranty. The benefits to you given by this warranty are in addition to other rights and remedies imposed by State and Federal legislation that cannot be excluded. Our goods come with guarantees that cannot be excluded under the Australian Consumer Law. You are entitled to a replacement or refund for a major failure and compensation for any other reasonably foreseeable loss or damage. You are also entitled to have the goods repaired or replaced if the goods fail to be of acceptable quality and the failure does not amount to a major failure. Chervon Australia Pty Ltd, Unit 13, 1488 Ferntree Gully Rd, Knoxfield, VIC. 3180. Phone Number: Australia 1300 000 EGO(1300 000 346), New Zealand 0508 000 EGO (0508 000 346). Email address: support@egopowerplus.com.au.

