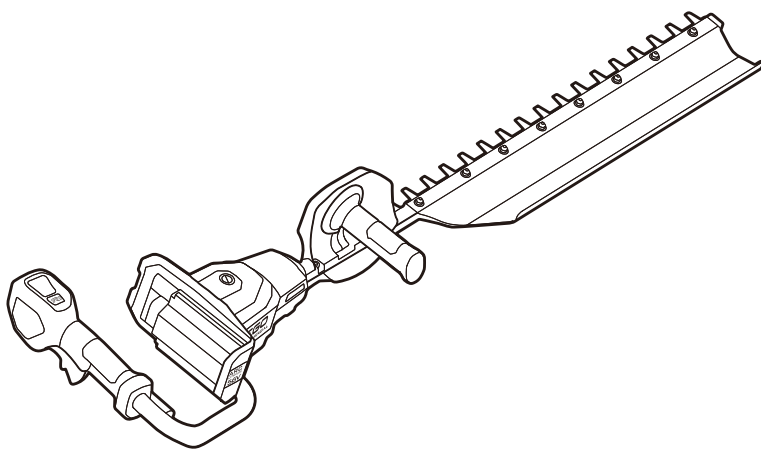


EGOTM

COMMERCIAL

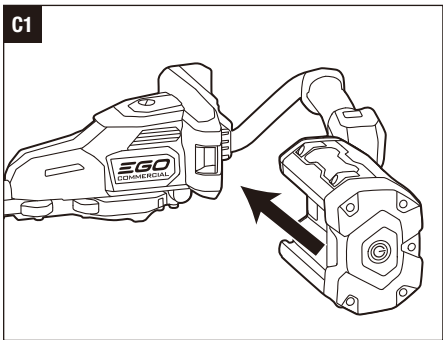
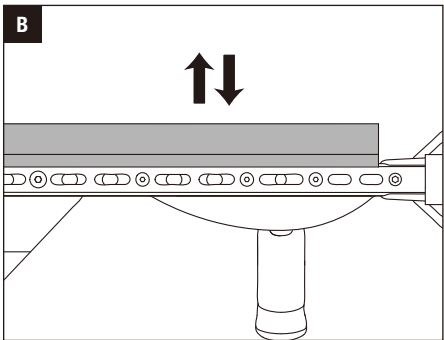
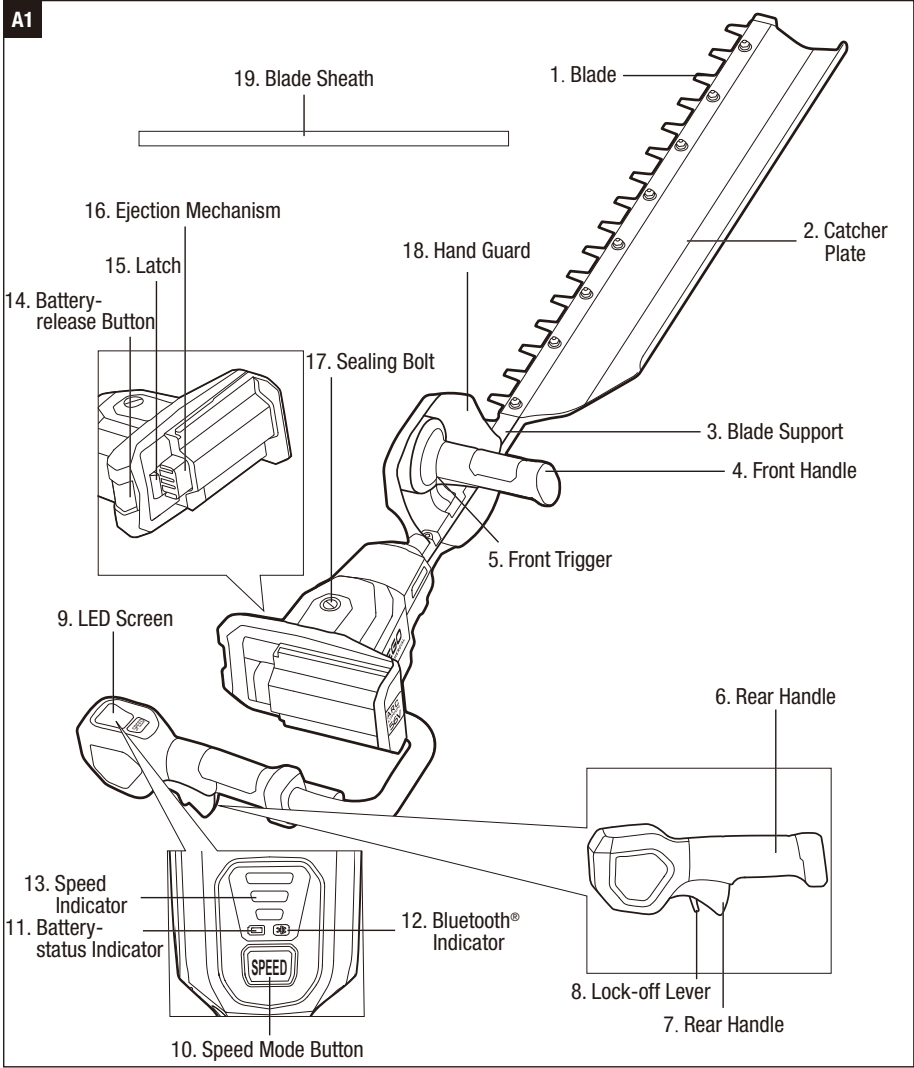


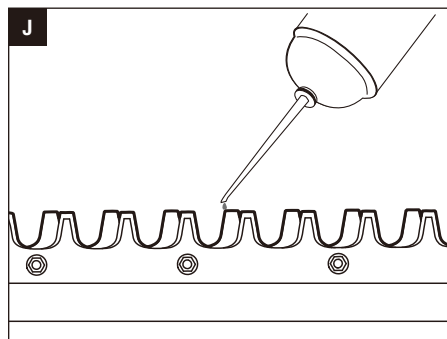
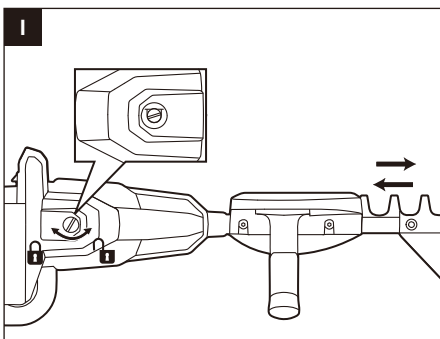
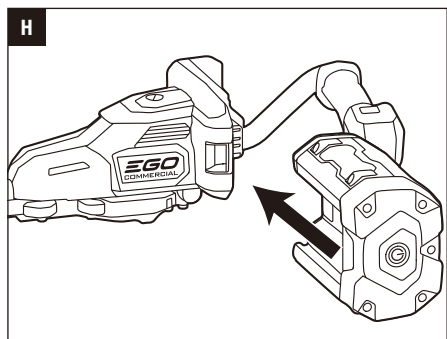
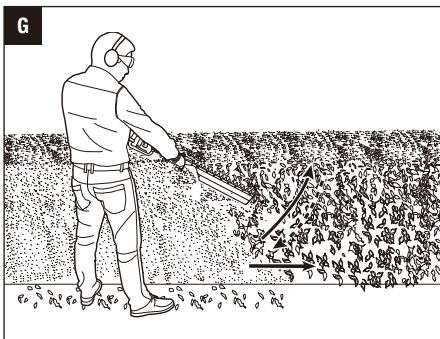
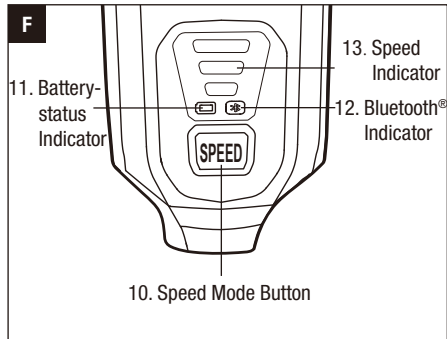
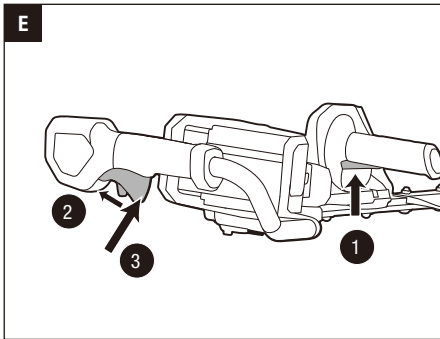
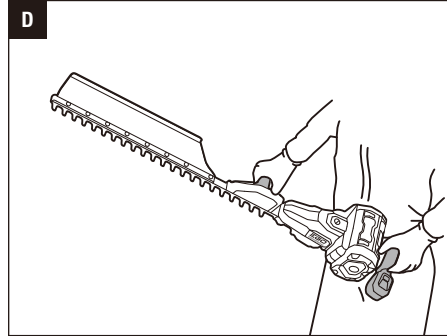
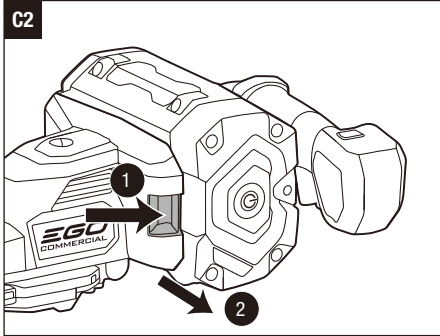
OPERATOR'S MANUAL

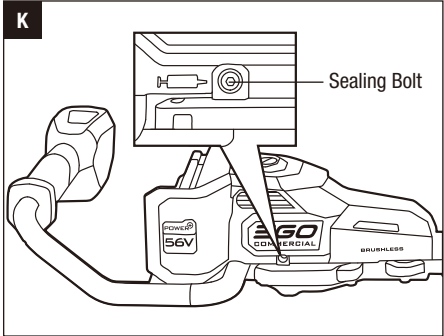
56 VOLT LITHIUM-ION COMMERCIAL SINGLE-SIDED HEDGE TRIMMER

MODEL NUMBER HTX7500S

⚠ WARNING: To reduce the risk of injury, the user must read and understand the Operator's Manual before using this product. Save these instructions for future reference.







READ ALL INSTRUCTIONS!



READ OPERATOR'S MANUAL

NOTICE: These instructions shall also be available in an alternative format, e.g. on a website.

WARNING: To ensure safety and reliability, all repairs and replacements should be performed by a qualified service technician.

SAFETY SYMBOLS

The purpose of safety symbols is to attract your attention to possible dangers. The safety symbols and the explanations with them deserve your careful attention and understanding. The symbol warnings do not, by themselves, eliminate any danger. The instructions and warnings they give are no substitutes for proper accident prevention measures.

WARNING: Be sure to read and understand all safety instructions in this Operator's Manual, including all safety alert symbols such as "DANGER", "WARNING", and "CAUTION" before using this machine. Failure to follow all instructions listed below may result in electric shock, fire, and/or serious personal injury.

SYMBOL MEANING

SAFETY ALERT SYMBOL: Indicates **DANGER**, **WARNING**, OR **CAUTION**. May be used in conjunction with other symbols or pictographs.

SAFETY INSTRUCTIONS

This page depicts and describes safety symbols that may appear on this product. Read, understand, and follow all instructions on the machine before attempting to assemble and operate it.

	Safety Alert	Precautions that involve your safety.
	Read Operator's Manual	To reduce the risk of injury, user must read the operator's manual.

	Wear Eye Protection	Always wear safety goggles or safety glasses with side shields and a full face shield when operating this product.
	Wear Ear Protection	Always wear ear protection when operating this product.
	Wear Head Protection	Wear an approved safety hard hat to protect your head.
	WARNING – A lithium coin battery is fully enclosed under the screen.	The battery is hazardous and is to be kept away from children (whether the battery is new or used); The battery can cause severe or fatal injuries in 2 hours or less if it is swallowed or placed inside any part of the body; Medical attention should be sought immediately if it is suspected the battery has been swallowed or placed inside any part of the body.
	Danger - Keep Hands Away from Blades	Contact with blade will result in serious personal injury.
	Bluetooth®	Bluetooth® symbol
	Direct Current	Type or a characteristic of current
	Regulatory Compliance Mark	This product complies with applicable Australian standards.
	Noise	Sound pressure level
	WEEE	Waste electrical products should not be disposed of with household waste. Take to an authorised recycler.
IPX5	Ingress Protection Degree	Protected against water jets
m/s	Metre Per Second	Speed



kg	Kilogram	Weight
V	Volt	Voltage
min	Minutes	Time
mm	Millimetre	Length
SPM	Strokes per Minute	Stroke speed

When using an electrical appliance, basic precautions should always be followed, including the following:

GENERAL MACHINE SAFETY WARNINGS

⚠️WARNING: Read all safety warnings, instructions, illustrations and specifications provided with this machine. Failure to follow all instructions listed below may result in electric shock, fire and/or serious injury.

SAVE ALL WARNINGS AND INSTRUCTIONS FOR FUTURE REFERENCE.

The term “machine” in the warnings refers to your mains-operated (corded) machine or battery-operated (cordless) machine.

WORK AREA SAFETY

- **Keep work area clean and well lit.** Cluttered or dark areas invite accidents.
- **Do not operate machines in explosive atmospheres, such as in the presence of flammable liquids, gases or dust.** Machines create sparks which may ignite the dust or fumes.
- **Keep children and bystanders away while operating a machine.** Distractions can cause you to lose control.

ELECTRICAL SAFETY

- **Machine plugs must match the outlet. Never modify the plug in any way. Do not use any adaptor plugs with earthed (grounded) machines.** Unmodified plugs and matching outlets will reduce risk of electric shock.
- **Avoid body contact with earthed or grounded surfaces, such as pipes, radiators, ranges and refrigerators.** There is an increased risk of electric shock if your body is earthed or grounded.
- **Do not abuse the cord. Never use the cord for carrying, pulling or unplugging the machine. Keep cord away from heat, oil, sharp edges or moving parts.** Damaged or entangled cords increase the risk of electric shock.

- **When operating a machine outdoors, use an extension cord suitable for outdoor use.** Use of a cord suitable for outdoor use reduces the risk of electric shock.
- **If operating a machine in a damp location is unavoidable, use a residual current device (RCD) protected supply.** Use of RCD reduces the risk of electric shock.

PERSONAL SAFETY

- **Stay alert, watch what you are doing and use common sense when operating a machine. Do not use a machine while you are tired or under the influence of drugs, alcohol medication.** A moment of inattention while operating machines may result in serious personal injury.
- **Use personal protective equipment. Always wear eye protection.** Protective equipment such as a dust mask, non-skid safety shoes, hard hat or hearing protection used for appropriate conditions will reduce personal injuries.
- **Prevent unintentional starting. Ensure the switch is in the off-position before connecting to power source and/or battery pack, picking up or carrying the machine.** Carrying machines with your finger on the switch or energizing machines that have the switch on invites accidents.
- **Remove any adjusting key or wrench before turning the machine on.** A wrench or a key left attached to a rotating part of the machine may result in personal injury.
- **Do not overreach. Keep proper footing and balance at all times.** This enables better control of the machine in unexpected situations.
- **Dress properly. Do not wear loose clothing or jewellery. Keep your hair and clothing away from moving parts.** Loose clothes, jewellery or long hair can be caught in moving parts.
- **If devices are provided for the connection of dust extraction and collection facilities, ensure these are connected and properly used.** Use of dust collection can reduce dust-related hazards.
- **Do not let familiarity gained from frequent use of machines allow you to become complacent and ignore machine safety principles.** A careless action can cause severe injury within a fraction of a second.

MACHINE USE AND CARE

- **Do not force the machine. Use the correct machine for your application.** The correct machine will do the job better and safer at the rate for which it was designed.



- **Do not use the machine if the switch does not turn it on and off.** Any machine that cannot be controlled with the switch is dangerous and must be repaired.
- **Disconnect the plug from the power source and/or remove the battery pack, if detachable, from the machine before making any adjustments, changing accessories, or storing machines.** Such preventive safety measures reduce the risk of starting the machine accidentally.
- **Store idle machines out of the reach of children and do not allow persons unfamiliar with the machine or these instructions to operate the machine.** Machines are dangerous in the hands of untrained users.
- **Maintain machines and accessories. Check for misalignment or binding of moving parts, breakage of parts and any other condition that may affect the machine's operation. If damaged, have the machine repaired before use.** Many accidents are caused by poorly maintained machines.
- **Keep cutting tools sharp and clean.** Properly maintained cutting tools with sharp cutting edges are less likely to bind and are easier to control.
- **Use the machine, accessories and machine bits etc. in accordance with these instructions, taking into account the working conditions and the work to be performed.** Use of the machine for operations different from those intended could result in a hazardous situation.
- **Do not use a battery pack or machine that is damaged or modified.** Damaged or modified batteries may exhibit unpredictable behavior resulting in fire, explosion or risk of injury.
- **Do not expose a battery pack or machine to fire or excessive temperature.** Exposure to fire or temperature above 130°C may cause explosion.
- **Follow all charging instructions and do not charge the battery pack or machine outside the temperature range specified in the instructions.** Charging improperly or at temperatures outside the specified range may damage the battery and increase the risk of fire.

SERVICE

- **Have your machine serviced by a qualified repair person using only identical replacement parts.** This will ensure that the safety of the machine is maintained.
- **Never service damaged battery packs.** Service of battery packs should only be performed by the manufacturer or authorised service providers.

HEDGE TRIMMER SAFETY WARNINGS

- **Do not use the hedge trimmer in bad weather conditions, especially when there is a risk of lightning.** This decreases the risk of being struck by lightning.
- **Keep all power cords and cables away from cutting area.** Power cords or cables may be hidden in hedges or bushes and can be accidentally cut by the blade.
- **Wear ear protection.** Adequate protective equipment will reduce the risk of hearing loss.
- **Hold the hedge trimmer by insulated gripping surfaces only, because the blade may contact hidden wiring or its own cord.** Blades contacting a "live" wire may make exposed metal parts of the hedge trimmer "live" and could give the operator an electric shock.
- **Keep all parts of the body away from the blade. Do not remove cut material or hold material to be cut when blades are moving.** Blades continue to move after the switch is turned off. A moment of inattention while operating the hedge trimmer may result in serious personal injury.
- **When clearing jammed material or servicing the hedge trimmer, make sure all power switches are off and the power cord is disconnected.** Unexpected actuation of the hedge trimmer while clearing jammed material or servicing may result in serious personal injury.

BATTERY MACHINE USE AND CARE

- **Recharge only with the charger specified by the manufacturer.** A charger that is suitable for one type of battery pack may create a risk of fire when used with another battery pack.
- **Use machines only with specifically designated battery packs.** Use of any other battery packs may create a risk of injury and fire.
- **When battery pack is not in use, keep it away from other metal objects, like paper clips, coins, keys, nails, screws or other small metal objects, that can make a connection from one terminal to another.** Shorting the battery terminals together may cause burns or a fire.
- **Under abusive conditions, liquid may be ejected from the battery; avoid contact. If contact accidentally occurs, flush with water. If liquid contacts eyes, additionally seek medical help.** Liquid ejected from the battery may cause irritation or burns.



- Carry the hedge trimmer by the handle with the blade stopped and taking care not to operate any power switch. Proper carrying of the hedge trimmer will decrease the risk of inadvertent starting and resultant personal injury from the blades.
- When transporting or storing the hedge trimmer, always use the blade cover. Proper handling of the hedge trimmer will decrease the risk of personal injury from the blades.

ADDITIONAL WARNINGS

- Do not charge the battery pack in rain, or in wet locations.
- Use only with battery packs and chargers listed below.

BATTERY PACK	CHARGER
BA1400, BA2800, BA4200, BA1400T, BA2800T, BA4200T, BA5600T, BA6720T	CH2100E, CH5500E, CH7000E, CH7000E-T

- Save these instructions. Refer to them frequently and use them to instruct others who may use this machine. If you loan this machine to someone else, also loan these instructions to them to prevent misuse of the product and possible injury.

SAVE THESE INSTRUCTIONS!

SPECIFICATIONS

Rated Voltage	56 V
Maximum Speed	Low: 3000 SPM Medium: 3500 SPM High: 4600 SPM
Cutting Length	750 mm
Cutting Capacity	30 mm
Recommended Operating Temperature	0°C– 40°C
Recommended Storage Temperature	-20°C – 70°C
Recommended Charging Temperature	5°C– 40°C
Weight (Without battery pack, blade sheath)	3.81 kg
Guaranteed sound power level L_{WA} (according to 2000/14/EC)	98 dB(A)

PACKING LIST

PART NAME	QUANTITY
Hedge Trimmer	1
Blade Sheath	1
Operator's manual	1

DESCRIPTION

KNOW YOUR HEDGE TRIMMER (Fig. A)

1. Blade
2. Catcher Plate
3. Blade Support
4. Front Handle
5. Front Trigger
6. Rear Handle
7. Rear Trigger
8. Lock-off Lever
9. LED Screen
10. Speed Mode Button
11. Battery-status Indicator
12. Bluetooth® Indicator
13. Speed Indicator
14. Battery-release Button
15. Latch
16. Ejection Mechanism
17. Sealing Bolt
18. Hand Guard
19. Blade Sheath

This product has been shipped completely assembled.

⚠ WARNING: The safe use of this product requires an understanding of the information on the product and in this operator's manual, as well as knowledge of the project you are attempting. Before use of this product, familiarize yourself with all operating features and safety rules.

OPERATION

⚠ WARNING: Do not allow familiarity with this product to make you careless. Remember that a careless fraction of a second is sufficient to inflict serious injury.

⚠ WARNING: Always wear eye protection with side shields, along with hearing protection. Failure to do so could result in objects being thrown into your eyes and other possible serious injuries.

⚠ WARNING: To prevent accidental starting that could cause serious personal injury, always remove the battery pack from the product when assembling parts, making adjustments, cleaning, or when not in use.

⚠ WARNING: Do not use any attachments or accessories not recommended by EGO™. The use of attachments or accessories not recommended can result in serious personal injury.

Before each use, inspect the entire product for damaged, missing, or loose parts, such as screws, nuts, bolts, caps, etc. Tighten securely all fasteners and caps and do not operate this product until all missing or damaged parts are replaced.

APPLICATION

The product may be used in rain.

You may use this product for trimming hedges, shrubs, and bushes with a branch diameter of less than 30 mm.

NOTE: The machine is to be used only for its prescribed purpose. Any other use is deemed a misuse.

BLADE SHEATH (FIG. B)

Remove/install the blade sheath from/to the cutting device.

INSTALLING/REMOVING THE BATTERY PACK

NOTE: Fully charge battery pack before first use.

To Install (Fig. C1)

Align the battery ribs with the mounting slots in the machine's battery port and slide the battery pack until it snaps into position.

To Remove (Fig. C2)

Depress the battery-release button and pull the battery pack out.

⚠ WARNING: Always be aware for the location of your feet, children, or pets when pressing the battery-release button. Serious injury could result if the battery pack falls. NEVER remove the battery pack at a high location.

HOLDING THE HEDGE TRIMMER (Fig. D)

The unit has both front and rear handles. With the blade directed away from you, hold the unit by both handles. LEFT hand on the rear handle and RIGHT hand on the front handle.

⚠ WARNING: Always keep both hands on the hedge trimmer handles. Never hold shrubs with one hand and operate the hedge trimmer with the other. Failure to heed this warning may result in serious injury.

This machine can be used with the BHX2000 EGO Backpack Link. See instructions in BHX2000 EGO Backpack Link operator's manual for use and adjustment.

STARTING/STOPPING THE HEDGE TRIMMER

Before operating, remove the blade sheath and hold the trimmer with both hands, LEFT hand on the rear handle and RIGHT hand on the front handle. Then check for balanced footing, upright standing and a proper cutting distance. Make sure that the cutting blade is not touching the ground or any other objects.

To Start (Fig. E)

1. Install the battery pack.
2. Squeeze and hold the front trigger with your RIGHT hand.
3. Move the lock-off lever forward and then press the rear trigger to start the machine with your LEFT hand.

NOTICE: The hedge trimmer can be started only if the front and the rear triggers are depressed at the same time. Both triggers have to be depressed for continuous operation of the hedge trimmer.

To Stop

Move the machine away from the cutting area and release either of the triggers to stop it.

⚠ WARNING: Always remove the battery pack from the machine during work breaks and after finishing work.

CHANGING SPEED MODE (FIG. F)

This machine features three speed modes. The speed mode will change with every press of the speed mode button.

The speed indicator will display the active speed status: one light for low speed, two lights for medium speed, three lights for high speed. The low speed mode provides better control of the machine and longer operating time per charge.










NOTICE: The speed mode can be set before the machine is turned on OR during operation.

When the machine is re-started after a break, the speed mode will return to the previous speed.



BATTERY-STATUS INDICATOR AND SPEED INDICATOR (FIG. F)

The battery-status indicator shows the charge level and the working status of the battery pack, and the speed indicator shows the working status of the machine as shown in the chart below. The battery-status indicator and the speed indicator will illuminate when the machine is started OR the speed mode button is pressed.

Indicator Lights		Meaning
Battery-status indicator	Solid green	 Battery charge level of 20% to 100%
	Flashing green	 Battery charge level of 10% to 20%
	Solid red	 Battery charge level of less than 10%
	Flashing red	 The battery pack is nearly depleted and needs to be charged immediately.
	Solid orange	 The battery pack is overheated. Cool the battery pack until the temperature drops below 67°C. See “ Battery High-temperature Protection ” below.
	Flashing red/green alternately	 The battery pack electronics error. Replace the battery pack or contact EGO customer service. See “ Battery Electronics Error Protection ” below.
Speed indicator (the illustrates show the high speed)	Solid green	 The machine is working properly.
	Solid orange	 The machine is overheated. Cool the machine until the temperature drops below 80°C. See “ Machine High-temperature Protection ” below.
	Flashing orange	 The machine is overloaded. See “ Machine Overload Protection ” below.

Battery High-temperature Protection

If the battery temperature exceeds 70°C during operation, the temperature-protection circuit will immediately shut off the machine to protect the battery pack from overheating damage. The battery-status indicator will glow solid orange. Release either of the triggers and wait until the overheated battery cools down and the indicator turns green, then restart the machine.

Battery Electronics Error Protection

When the battery pack electronics error occurs, the battery-status indicator will flash red/green alternately and the machine will shut off in 3 seconds. Replace the battery pack or contact EGO customer service.

Machine Overload Protection

This machine features a built-in overload circuit protection. When the machine is overloaded, the motor will stop and the speed indicator will flash orange. Remove the battery pack from the machine, then reattach the battery pack and restart the machine. Decrease the load on the machine, avoid cutting too much at a time or oversize cutting thickness or cutting on the heavy/woody shrubs.

Machine High-temperature Protection

If the machine temperature exceeds 90°C during operation, the temperature-protection circuit will immediately shut off the machine to prevent overheating damage. The speed indicator will glow solid orange. Release the trigger and wait until the overheated machine cools down and the speed indicator turns green, then restart the machine.

BLUETOOTH® WIRELESS TECHNOLOGY

Products with built-in Bluetooth® wireless technology can connect to mobile devices using EGO apps. Please visit www.egopowerplus.com.au for instructions and follow guidance in the EGO Connect app on how to connect and use the Bluetooth® function.

USING THE HEDGE TRIMMER

⚠ DANGER: If the blade jams on any electrical cord or line, **DO NOT TOUCH THE BLADES! IT CAN BECOME ELECTRICALLY LIVE AND VERY DANGEROUS.** Continue to hold the hedge trimmer by the insulated handles or lay it down and away from you in a safe manner. Disconnect the electrical service to the damaged line or cord before attempting to free the blades from the line or cord. Failure to heed this warning will result in serious personal injury or possible death.

⚠ WARNING: If any parts are missing, damaged or broken, do not operate your trimmer until they have been replaced. Failure to do so could result in possibly serious personal injury.

⚠ WARNING: To prevent serious personal injury, always use both the front handle and the rear handle to hold the hedge trimmer during operation.

⚠ WARNING: To prevent serious personal injury, keep hands away from blades. Do not attempt to remove cut material or hold material to be cut when the blades are moving. Make sure that the blades have completely stopped and the battery pack is removed before clearing jammed material from blades. Do not grasp the exposed cutting blades or cutting edges when picking up or holding the unit.

⚠ WARNING: Clear the area to be cut before each use. Remove all objects, such as cords, lights, wire, or string which can become entangled in the cutting blade and create a risk of serious personal injury.

- Before starting the hedge trimmer, maintain proper footing and balance and do not overreach. Do not operate the trimmer in a tree, on a ladder, from a rooftop, or any unstable support. Wear safety goggles, non-skid footwear and rubber gloves. Hold the unit with both hands, with the cutting blade directed away from you.
- Do not trim too much at a time. This can cause the blades to bind and slow down, reducing the cutting efficiency.
- Do not force the hedge trimmer through heavy shrubbery. This can cause the blades to bind and slow down. If the blades slow down, reduce the pace of your work.
- When trimming new growth, use a wide sweeping action, so that the stems are fed directly into the cutting blade. Older growth will have thicker stems and will be trimmed most easily by using a back-and-forth motion.
- Always cut stems or twigs that are less than 30 mm thick. Use a non-powered hand saw or pruning saw to trim large stems.

Side Cutting (Fig. G)

When trimming the sides of the hedge, begin at the bottom and cut upwards. Trim the side of a hedge so that it will be slightly narrower at the top. This shape will expose more of the hedge to sunlight, resulting in a more uniform growth.

Top Cutting (Fig. H)

Use a wide sweeping motion. A slight downward tilt of the cutting blades in the direction of motion gives the best cutting results. For a better cutting effect, you may use the string to guide the hedge level.

MAINTENANCE

⚠ WARNING: When servicing, only use identical replacement parts. Use of any other parts may create a hazard or cause product damage. To ensure safety and reliability, all repairs should be performed by a qualified service technician.

⚠ WARNING: To avoid serious personal injury, always remove the battery pack from the product when cleaning or performing any maintenance.

CLEANING

- Use a soft brush to remove debris from all air intakes and cutting blade.
- To remove pitch and other sticky residue, spray the blades with resin solvent. Run the motor briefly so that the solvent is evenly distributed, then wipe the surface with a dry cloth.

⚠ WARNING: Avoid using solvents when cleaning plastic parts. Most plastics are susceptible to damage from various types of commercial solvents. Use clean cloth to remove dirt, dust, oil, grease, etc.

SHARPENING THE BLADES

When cutting performance and behavior begin to deteriorate, re-sharpen the blades. It is recommended to have the blades re-sharpened by a qualified service technician.

NOTICE: Do not operate your hedge trimmer with dull or damaged blades. This may cause overload and will give unsatisfactory cutting results.

LUBRICATING THE BLADES (Fig. J)

For best operation and longer blade life, lubricate the hedge trimmer blades with light-weight machine oil before and after each use.

Remove the battery pack and lay the trimmer onto a flat surface. Apply the oil along the edge of the top blade.

If the upper blades are aligned completely with the lower ones, remove the sealing screw counterclockwise with a flat head screw driver (not included). Turn the motor shaft screw underneath with the flat head screw driver to offset the blades before lubrication (Fig. I).

NOTICE: For extended using period, it is advisable to take a break, remove the battery and oil the blades.

⚠ WARNING: Do not oil while the hedge trimmer is running.

TRANSMISSION GEARS LUBRICATION (Fig. K)

The transmission gears in the motor housing need to be lubricated periodically with gear grease. Check the gear case grease level approximately every 50 hours of operation by removing the sealing bolt.

If no grease can be seen on the flanks of the gear, follow the steps below to fill with about 10g gear grease. Do not completely fill the transmission gear case.

1. Use a 4mm hex key (not included) to loosen and remove the sealing bolt.
2. Use a grease gun (not included) to inject some grease into the bolt hole; do not exceed 10g gear grease.
3. Tighten the sealing bolt after injection.

The grease should meet the following requirements:

- NLGI Grade Penetration: NLGI-2;
- Thickener Type: Polyurea;
- Recommended Operating Temperature Range: -40°C to 180°C;
- Other than above, the grease should also be shear stable with exceptional pressure characteristics and excellent anti-wear property, and perfect oxidation stability.

TRANSPORTING AND STORING

- Always place the blade sheath on the blade before storing or transporting the hedge trimmer. Use caution to avoid the sharp teeth of the blade.
- Clean the hedge trimmer thoroughly before storing.
- Store the hedge trimmer indoors, in a dry place that is inaccessible to children.
- Keep away from corrosive agents such as garden chemicals and deicing salts.

⚠ WARNING: Blades are sharp. When handling the blade assembly, wear non-slip, heavy-duty protective gloves. Do not place your hand or fingers between blades or in any position where they could get pinched or cut. NEVER touch blades or service the unit with battery pack installed.

PROTECTING THE ENVIRONMENT



Do not dispose of electrical appliances as unsorted municipal waste, use separate collection facilities.

Contact your local government for information regarding the collection systems available.

If electrical appliances are disposed of in landfills or dumps, hazardous substances can leak into the groundwater and get into the food chain, damaging your health and well-being.

TROUBLESHOOTING

PROBLEM	CAUSE	SOLUTION
Hedge trimmer doesn't work.	<ul style="list-style-type: none"> ■ The battery pack is not attached to the hedge trimmer. ■ No electrical contact between the hedge trimmer and battery pack. ■ The battery pack charge is depleted. ■ The battery pack is too hot. See the chapter "Battery High-temperature Protection". ■ The hedge trimmer is too hot. See the chapter "Machine High-temperature Protection". ■ The front and rear triggers are not depressed simultaneously. ■ The blade is jammed. ■ The battery pack has electronics error. See the chapter "Battery Electronics Error Protection". 	<ul style="list-style-type: none"> ■ Attach the battery pack to the hedge trimmer. ■ Remove the battery pack, check contacts and reinstall the battery pack ■ Charge the battery pack. ■ Remove the battery pack and cool the battery pack until the temperature drops below 67°C. ■ Remove the battery pack and cool the hedge trimmer until the temperature drops below 80°C. ■ Press and hold the front trigger first, move the lock-off lever forward, and then press the rear trigger. ■ Remove the battery pack from the machine, remove the obstruction carefully, then reinsert the battery pack and restart the machine. ■ Replace the battery pack or contact EGO customer service.
Excessive vibration or noise.	<ul style="list-style-type: none"> ■ Dry or corroded blades. ■ Blade or blade support is bent. ■ Bent or damaged teeth. ■ Loose blade bolts. 	<ul style="list-style-type: none"> ■ Lubricate the blades, following the instructions in the "LUBRICATING THE BLADES" section in this manual. ■ Replace with a new blade or support. Contact EGO customer service for blade or blade support replacement. ■ Replace with a new blade. Contact EGO customer service for blade replacement. ■ Tighten the blade bolts. Use an adjustable wrench and 4mm hex key to tighten the blade bolts clockwise.



WARRANTY

EGO WARRANTY POLICY

For full warranty terms and conditions, warranty service or to make a claim, please visit our website egopowerplus.com.au/warranty-policy.

Also see full warranty details & warranty table on the 'NEED HELP?' flyer contained within this product.

Alternatively you can contact EGO customer service via the following:

Australia

Address: Chervon Australia Pty Ltd, Unit 14, 5 Kelletts Rd, Rowville, VIC, 3178.

Phone: 1300 000 346

Email: support@egopowerplus.com.au

New Zealand

Address: Chervon New Zealand Subsidiary Ltd, 4th Floor, Smith & Caughey Building, 253 Queen St, Auckland, 1141.

Phone: 0508 000 346

Email: support@egopowerplus.co.nz

