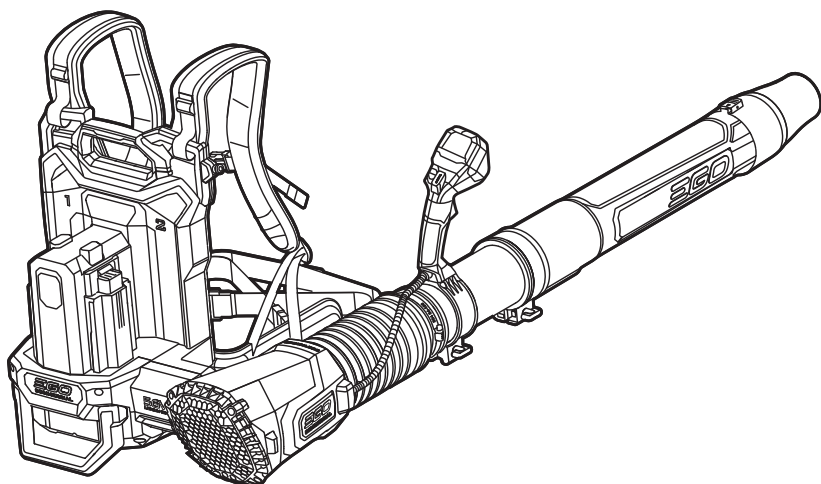


EGO™

COMMERCIAL

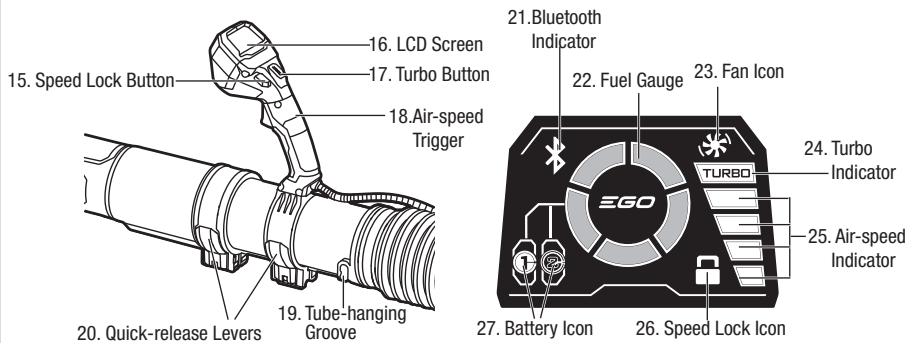
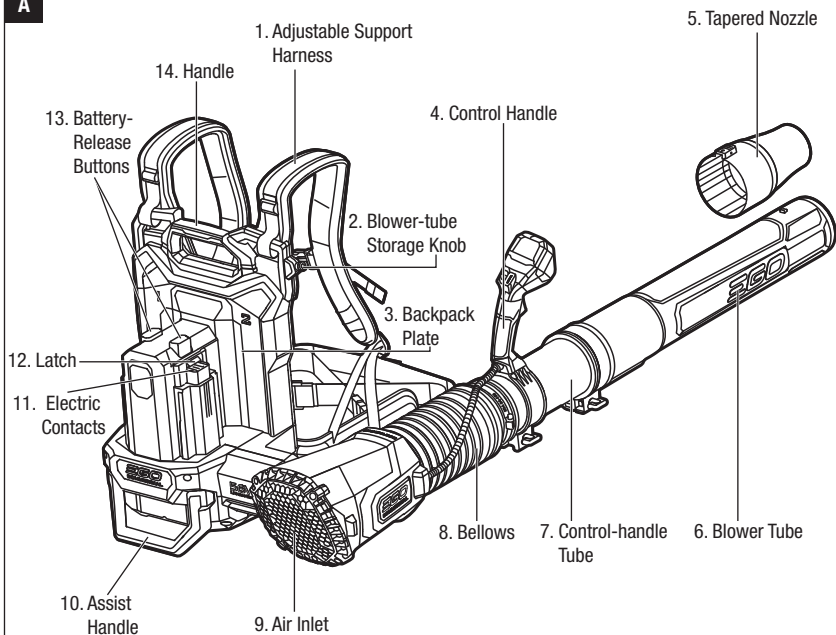
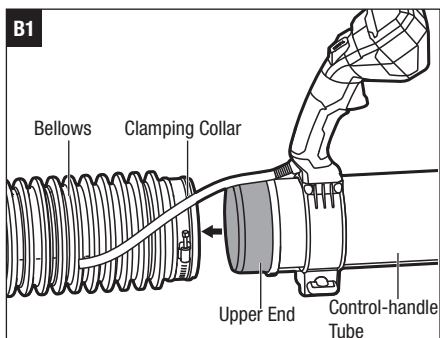
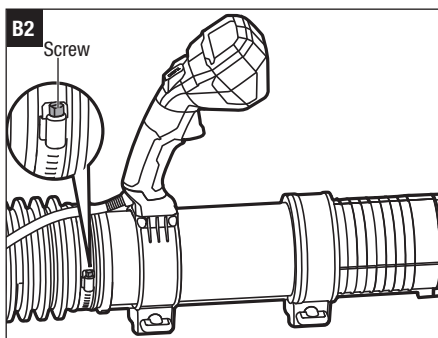


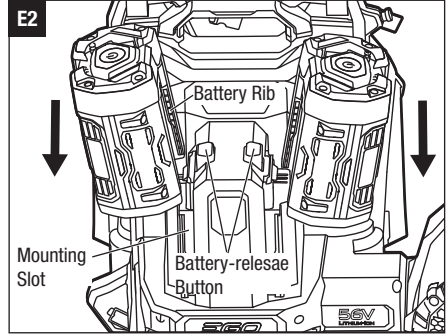
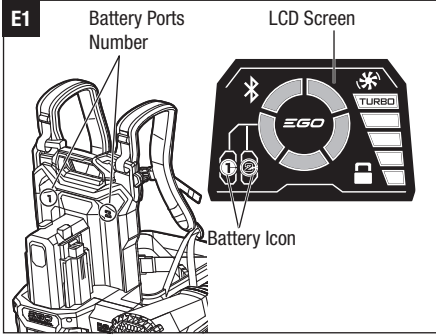
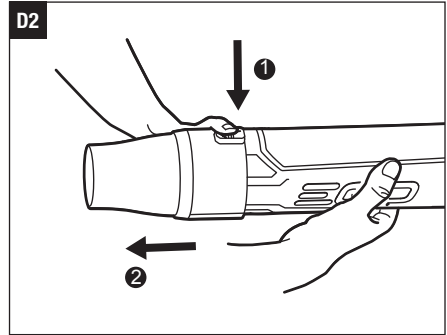
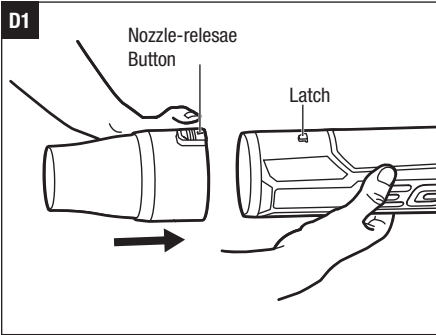
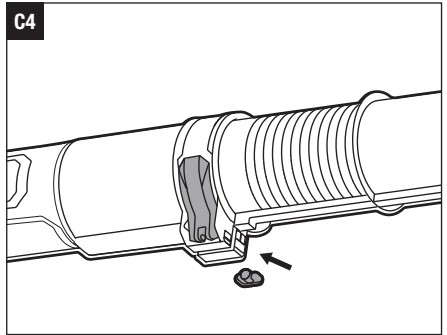
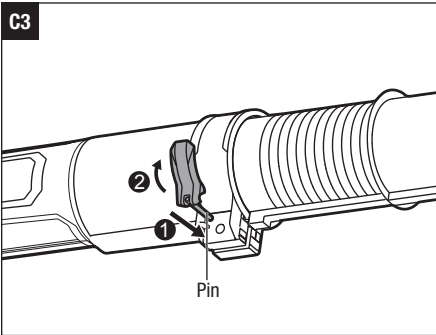
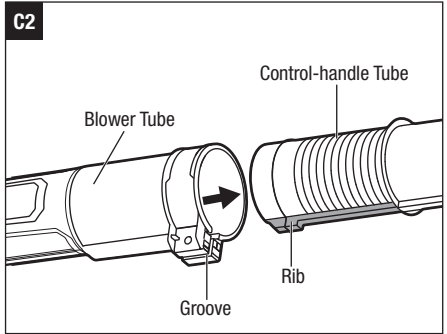
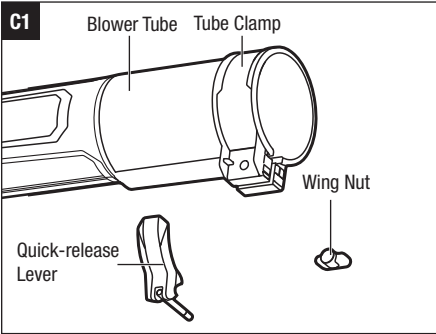
OPERATOR'S MANUAL

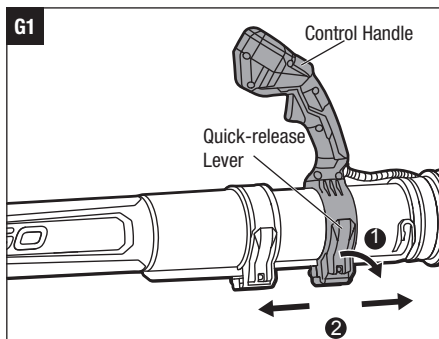
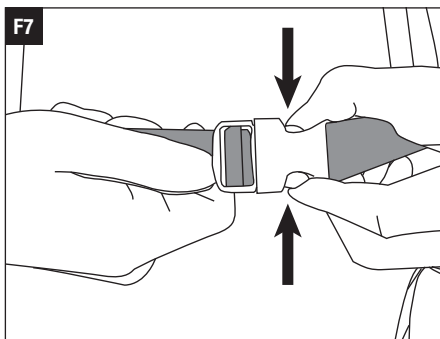
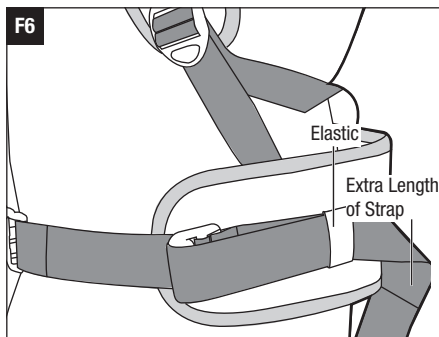
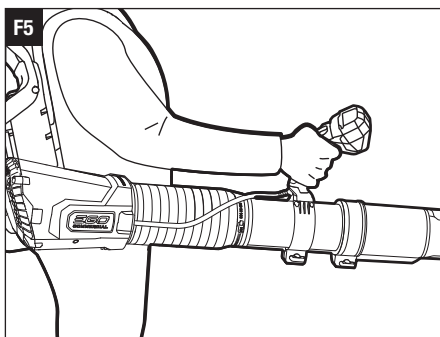
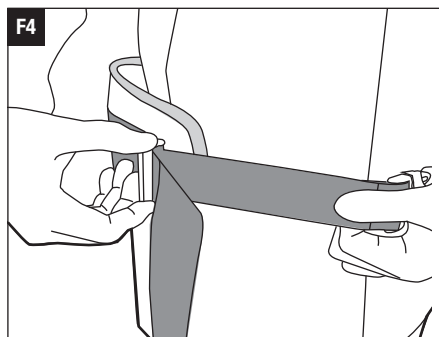
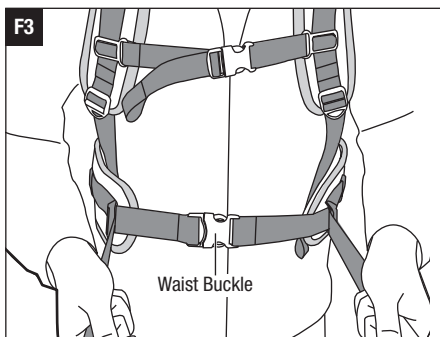
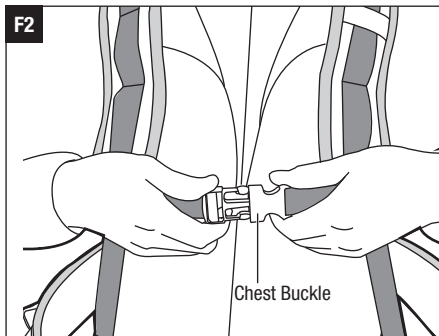
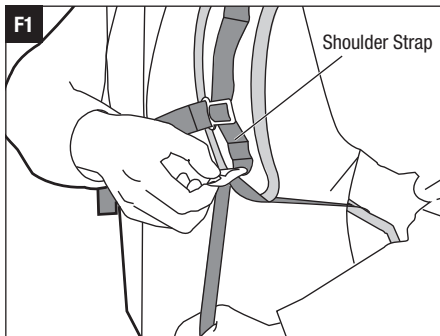
56 VOLT LITHIUM-ION COMMERCIAL CORDLESS BACKPACK BLOWER

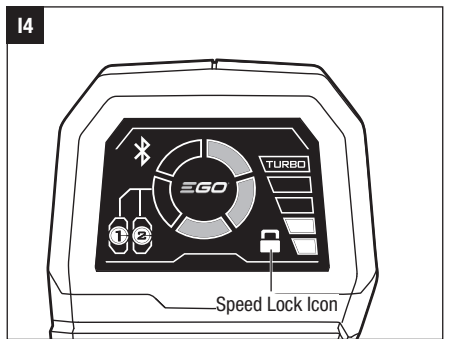
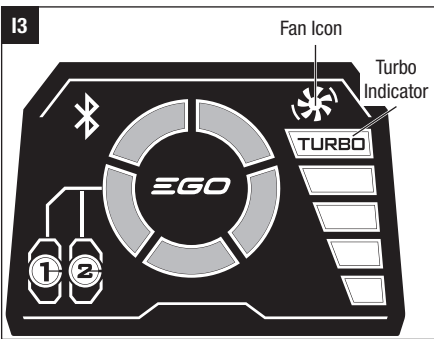
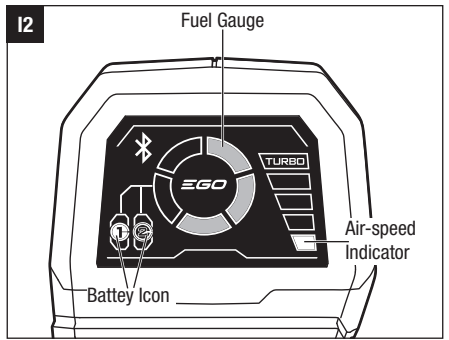
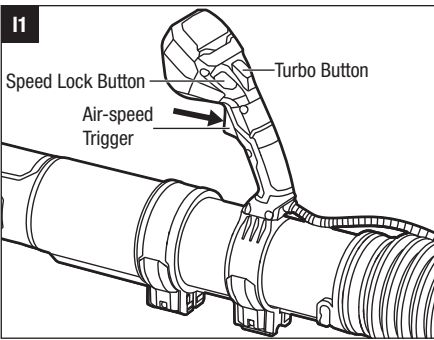
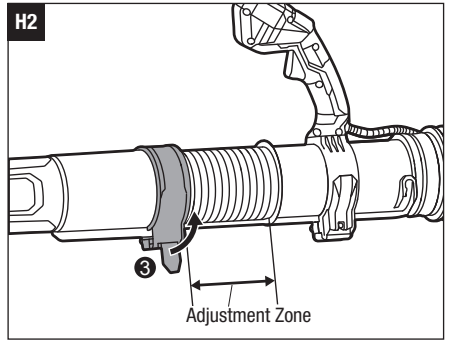
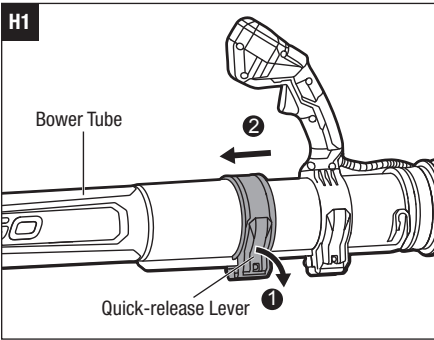
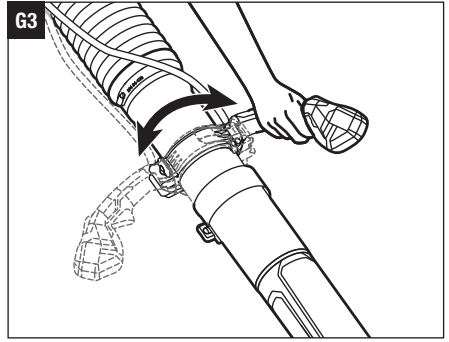
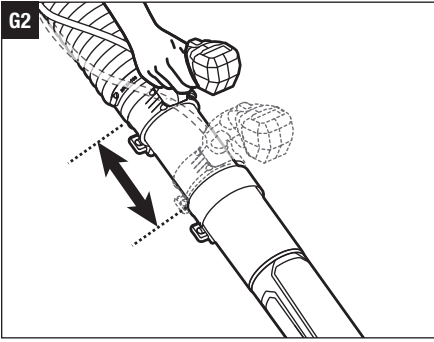
MODEL NUMBER LBPX8010

⚠ WARNING: To reduce the risk of injury, the user must read and understand the Operator's Manual before using this product. Save these instructions for future reference.

A**B1****B2**



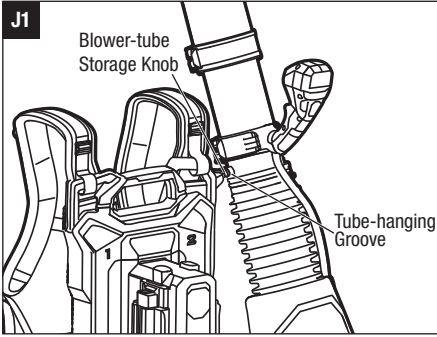




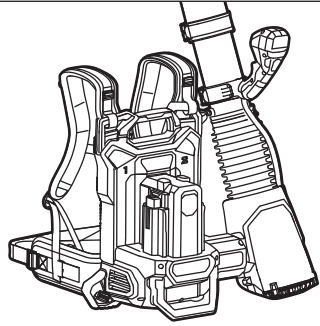
J1

Blower-tube
Storage Knob

Tube-hanging
Groove



J2



READ ALL INSTRUCTIONS!



READ OPERATOR'S MANUAL

WARNING: To ensure safety and reliability, all repairs and replacements should be performed by a qualified service technician.

SAFETY SYMBOLS

The purpose of safety symbols is to attract your attention to possible dangers. The safety symbols and the explanations with them deserve your careful attention and understanding. The symbol warnings do not, by themselves, eliminate any danger. The instructions and warnings they give are no substitutes for proper accident prevention measures.

WARNING: Be sure to read and understand all safety instructions in this Operator's Manual, including all safety alert symbols such as "**DANGER**", "**WARNING**", and "**CAUTION**" before using this tool. Failure to follow all instructions listed below may result in electric shock, fire, and/or serious personal injury.

SYMBOL MEANING

SAFETY ALERT SYMBOL: Indicates **DANGER**, **WARNING**, or **CAUTION**, may be used in conjunction with other symbols or pictographs.

SAFETY INSTRUCTIONS

This page depicts and describes safety symbols that may appear on this product. Read, understand, and follow all instructions on the machine before attempting to assemble and operate it.

	Safety Alert	Precautions that involve your safety.
	Read Operator's Manual	To reduce the risk of injury, user must read operator's manual before using this product.
	Ear Protection	Always wear ear protection when operating this product.
	Eye Protection	Always wear safety goggles or safety glasses with side shields and a full face shield when operating this product.

	Keep Bystanders Away	Keep all bystanders at least 15m away.
	WARNING –This product contains a lithium coin battery.	The battery is hazardous and is to be kept away from children (whether the battery is new or used); The battery can cause severe or fatal injuries in 2 hours or less if it is swallowed or placed inside any part of the body; Medical attention should be sought immediately if it is suspected the battery has been swallowed or placed inside any part of the body.
	Bluetooth®	Bluetooth® Symbol
	Noise	Guaranteed sound power level.
	Regulatory Compliance Mark	This product complies with applicable Australian standards.
	WEEE	Waste electrical products should not be disposed of with household waste. Take to an authorized recycler.
	Direct Current	Type or a characteristic of current
	Ingress Protection (IP) Rating	Protection from water jets
	Volt	Voltage
	Cubic Metre Per Hour	Air volume

m/s	Metre Per Second	Air velocity
N	Newton	Magnitude of force
kg	Kilogram	Weight
°C	Degrees Celsius	Temperature

NOTE: The Bluetooth® word mark and logos are registered trademarks owned by Bluetooth SIG, inc. and any use of such marks by EGO is under license.

GENERAL MACHINE SAFETY WARNINGS

⚠ WARNING: READ ALL SAFETY WARNINGS, INSTRUCTIONS, ILLUSTRATIONS AND SPECIFICATIONS PROVIDED WITH THIS MACHINE.

Failure to follow all instructions listed below may result in electric shock, fire and/or serious injury.

SAVE ALL WARNINGS AND INSTRUCTIONS FOR FUTURE REFERENCE.

The term “machine” in the warnings refers to your mains-operated (corded) machine or battery-operated (cordless) machine.

WORK AREA SAFETY

- **Keep work area clean and well lit.** Cluttered or dark areas invite accidents.
- **Do not operate machines in explosive atmospheres, such as in the presence of flammable liquids, gases or dust.** Machines create sparks which may ignite the dust or fumes.
- **Keep children and bystanders away while operating a machine.** Distractions can cause you to lose control.

ELECTRICAL SAFETY

- **Machine plugs must match the outlet. Never modify the plug in any way. Do not use any adapter plugs with earthed (grounded) machines.** Unmodified plugs and matching outlets will reduce risk of electric shock.
- **Avoid body contact with earthed or grounded surfaces, such as pipes, radiators, ranges and refrigerators.** There is an increased risk of electric shock if your body is earthed or grounded.
- **Do not expose machines to rain or wet conditions.** Water entering a machine will increase the risk of electric shock.

- **Do not abuse the cord. Never use the cord for carrying, pulling or unplugging the machine.** Keep cord away from heat, oil, sharp edges or moving parts. Damaged or entangled cords increase the risk of electric shock.
- **When operating a machine outdoors, use an extension cord suitable for outdoor use.** Use of a cord suitable for outdoor use reduces the risk of electric shock.
- **If operating a machine in a damp location is unavoidable, use a Ground-fault circuit interrupter protected supply.** Use of GFCI reduces the risk of electric shock.

PERSONAL SAFETY

- **Stay alert, watch what you are doing and use common sense when operating a machine. Do not use a machine while you are tired or under the influence of drugs, alcohol medication.** A moment of inattention while operating machines may result in serious personal injury.
- **Use personal protective equipment. Always wear eye protection.** Protective equipment such as a dust mask, non-skid safety shoes, hard hat or hearing protection used for appropriate conditions will reduce personal injuries.
- **Prevent unintentional starting. Ensure the switch is in the off-position before connecting to power source and/or battery pack, picking up or carrying the machine.** Carrying machines with your finger on the switch or energizing machines that have the switch on invites accidents.
- **Remove any adjusting key or wrench before turning the machine on.** A wrench or a key left attached to a rotating part of the machine may result in personal injury.
- **Do not overreach. Keep proper footing and balance at all times.** This enables better control of the machine in unexpected situations.
- **Dress properly. Do not wear loose clothing or jewellery. Keep your hair, clothing away from moving parts.** Loose clothes, jewellery or long hair can be caught in moving parts.
- **If devices are provided for the connection of dust extraction and collection facilities, ensure these are connected and properly used.** Use of dust devices can reduce dust-related hazards.
- **Do not let familiarity gained from frequent use of machines allow you to become complacent and ignore machine safety principles.** A careless action can cause severe injury with a fraction of a second.

MACHINE USE AND CARE

- **Do not force the machine. Use the correct machine for your application.** The correct machine will do the job better and safer at the rate for which it was designed.
- **Do not use the machine if the switch does not turn it on and off.** Any machine that cannot be controlled with the switch is dangerous and must be repaired.
- **Disconnect the plug from the power source and/or the battery pack from the machine before making any adjustments, changing accessories, or storing machines.** Such preventive safety measures reduce the risk of starting the machine accidentally.
- **Store idle machines out of the reach of children and do not allow persons unfamiliar with the machine or these instructions to operate the machine.** Machines are dangerous in the hands of untrained users.
- **Maintain machines and accessories. Check for misalignment or binding of moving parts, breakage of parts and any other condition that may affect the machines operation.** If damaged, have the machine repaired before use. Many accidents are caused by poorly maintained machines.
- **Keep cutting machines sharp and clean.** Properly maintained cutting machines with sharp cutting edges are less likely to bind and are easier to control.
- **Use the machine, accessories and machine bits etc. in accordance with these instructions, taking into account the working conditions and the work to be performed.** Use of the machine for operations different from those intended could result in a hazardous situation.
- **Keep handles and grasping surfaces dry, clean and free from oil and grease.** Slippery handles and grasping surfaces do not allow for safe handling and control of the machine in unexpected situations.

BATTERY MACHINE USE AND CARE

- **Recharge only with the charger specified by the manufacturer.** A charger that is suitable for one type of battery pack may create a risk of fire when used with another battery pack.
- **Use machines only with specifically designated battery packs.** Use of any other battery packs may create a risk of injury and fire.
- **When battery pack is not in use, keep it away from other metal objects, like paper clips, coins, keys, nails, screws or other small metal objects, that can make a connection from one terminal to another.**

Shorting the battery terminals together may cause burns or a fire.

- **Under abusive conditions, liquid may be ejected from the battery; avoid contact.** If contact accidentally occurs, flush with water. If liquid contacts eyes, additionally seek medical help. Liquid ejected from the battery may cause irritation or burns.
- **Do not use a battery pack or machine that is damaged or modified.** Damaged or modified batteries may exhibit unpredictable behavior resulting in fire, explosion or risk of injury.
- **Do not expose a battery pack or machine to fire or excessive temperature.** Exposure to fire or temperature above 130°C may cause explosion.
- **Follow all charging instructions and do not charge the battery pack or machine outside the temperature range specified in the instructions.** Charging improperly or at temperatures outside the specified range may damage the battery and increase the risk of fire.

SERVICE

- **Have your machine serviced by a qualified repair person using only identical replacement parts.** This will ensure that the safety of the machine is maintained.
- **Never service damaged battery packs.** Service of battery packs should only be performed by the manufacturer or authorized service providers.

BLOWER SAFETY WARNINGS

- **Do not use the machine in bad weather conditions, especially when there is a risk of lightning.** This decreases the risk of being struck by lightning.
- **Wear eye protection and ear protection.** Adequate protective equipment will reduce the risk of personal injury.
- **While operating the machine, always wear non-slip and protective footwear. Do not operate the machine when barefoot or wearing open sandals.** This reduces the risk of injury to the feet.
- **Do not wear loose fitting clothing or articles such as scarves, strings, chains, ties, etc., that could get drawn into the air inlets. Tie back or cover long hair to make sure it does not get drawn into the air inlets.** If any of these items are drawn into the air inlets, it can increase the risk of personal injury.
- **Keep bystanders away while operating the machine.** Thrown debris can increase the risk of personal injury.

- **Never point the blower nozzle in the direction of people or pets or in the direction of windows. Use extra caution when blowing debris near solid objects, such as trees, automobiles and walls that can cause debris to ricochet.** Thrown objects can damage property and increase the risk of personal injury.
- **Do not use the machine to blow anything that is burning or smoking, such as cigarettes, matches or hot ashes.** These ignition sources may increase the risk of fire.
- **Do not touch the fan while still in motion. Turn off the machine and wait until the fan stops before removing any part that may give access to the fan.** This reduces the risk of injury from moving parts.
- **When clearing jammed material or servicing the machine, make sure the power switch is off.** Unexpected starting of the machine while clearing jammed material or servicing may result in serious personal injury.
- **Do not use shoulder strap and BH1000 EGO backpack link at the same time.** This will prevent quick emergency release of the machine, resulting in personal injury.

READ ALL INSTRUCTIONS BEFORE USING THIS PRODUCT!

TRAINING

- **Never allow children, persons with reduced physical, sensory or mental capabilities or lack of experience and knowledge or people unfamiliar with these instructions to use the machine.**
- **The operator or user is responsible for accidents or hazards occurring to other people or their property.**

PREPARATION

- **The machine may be used in the rain or wet conditions. Dry the machine after finishing work.**
- **Before using, check the batteries or battery packs for damage.** Do not use the appliance if the batteries or battery pack is damaged.

OPERATION

- **Inspect machine for damage if there appears to be excessive vibration.**
- **The machine may be used in the rain or wet conditions. Dry the machine after finishing work.**
- **Disconnect the batteries or battery packs:**
 1. Whenever you leave the machine;
 2. Before clearing a blockage;

3. Before checking, cleaning or working on the appliance;
4. If the appliance starts to vibrate abnormally.

- **Always be sure of your footing on slopes.**
- **Walk, never run.**
- **Keep all cooling air inlets clear of debris.**
- **Recommendation to operate the machine only at reasonable hours – not early in the morning or late at night when people might be disturbed.**
- **Recommendation to slightly dampen surfaces in dusty conditions or use mister attachment.**

⚠ WARNING: Danger of rotating parts!

- **Use the full machine nozzle extension so the air stream can work close to the ground.**
- **Not to operate the machine near open windows, etc.**

MAINTENANCE AND STORAGE

- **Keep all nuts, bolts and screws tight to be sure the appliance is in safe working condition.**
- **Replace worn or damaged parts.**
- **Use only genuine replacement parts and accessories.**
- **Store the appliance only in a dry place.**

⚠ WARNING: To reduce risk of fire, electric shock, or injury:

IMPORTANT

READ CAREFULLY BEFORE USE.

KEEP FOR FUTURE REFERENCE.

- **Do not allow the machine to be used as a toy. Close attention is necessary when used by or near children.**
- **If the machine is not working as it should, has been dropped, damaged, or dropped into water, return it to a service centre.**
- **Do not put any object into any openings. Do not use with any opening blocked; keep openings free of dust, lint, hair, and anything that may reduce air flow.**
- **Use extra care when cleaning on stairs.**
- **Do not leave machine unattended when the battery Plug is inserted. Remove the battery when the machine is not in use and before servicing.**
- **Do not handle the charger, including charger plug, or charger terminals with wet hands.**
- **Do not charge the battery pack outdoors.**
- **Use only with battery packs and chargers listed below:**

BATTERY PACK	CHARGER
BA1400, BA2800, BA4200, BA1400T, BA2800T, BA4200T, BA5600T, BA6720T	CH2100E, CH5500E, CH7000E, CH7000E-T

⚠ WARNING:

- The battery pack must be removed from the appliance before it is scrapped.
- The battery shall be disposed of safely.
- **DO NOT** attempt to clear clogs from the unit without first removing the battery.
- **Keep the machine and its handle dry, clean and free from oil and grease.** Always use a clean cloth when cleaning. Never use brake fluids, gasoline, petroleum based products, or any strong solvents to clean your machine. Following this rule will reduce the risk of loss of control and deterioration of the enclosure plastic.
- **Batteries can explode in the presence of a source of ignition, such as a pilot light.** To reduce the risk of serious personal injury, never use any cordless product in the presence of an open flame. An exploded battery can propel debris and chemicals. If exposed, flush with water immediately.
- **Never run the unit without the proper equipment attached.** Always ensure that the machine tube is installed.
- **Never use the machine near fires or hot ashes.** Use near fires or ashes can spread fires and result in serious injury and/or property damage.
- **Never use machine to spread chemicals, fertilizers, or any other toxic substances.** Spreading these substances could result in serious injury to the operator or bystanders.
- **Save these instructions.** Refer to them frequently and use them to instruct others who may use this machine. If you loan this machine to someone else, also loan these instructions to them to prevent misuse of the product and possible injury.

SAVE THESE INSTRUCTIONS!

SPECIFICATIONS

Voltage	56 V	
Maximum Air Volume	1360 m ³ /h	
Maximum Air Velocity	85 m/s	
Maximum Blowing Force	26 N	
Approximate Run Time	With two 7.5 Ah Battery Packs	30 min. (Turbo) 40 min. (High speed) 150 min. (Low speed)
	With two 10 Ah Battery Packs	40 min. (Turbo) 52 min. (High speed) 200 min. (Low speed)
	With two 12 Ah Battery Packs	48 min. (Turbo) 63 min. (High speed) 240 min. (Low speed)
	Bluetooth Operating Frequency Band	2400 - 2438 MHz
	Bluetooth Maximum Transmission Power	5 dBm
	Weight (Without battery pack)	7.7 kg
Recommended Operating Temperature	-15°C - 40°C	
Recommended Storage Temperature	-20°C - 70°C	
Guaranteed Sound Power Level	98 dB(A)	

PACKING LIST

PART NAME	QUANTITY
Blower	1
Blower tube	1
Tapered nozzle	1
Operator's manual	1

DESCRIPTION

KNOW YOUR BLOWER (Fig. A)

1. Adjustable Support Harness
2. Blower-tube Storage Knob
3. Backpack Plate
4. Control Handle
5. Tapered Nozzle
6. Blower Tube
7. Control-handle Tube
8. Bellows
9. Air Inlet
10. Assist Handle
11. Electric Contacts
12. Latch
13. Battery-release Buttons
14. Handle
15. Speed Lock Button
16. LCD Screen
17. Turbo Button
18. Air-speed Trigger
19. Tube-hanging Groove
20. Quick-release Levers
21. Bluetooth Indicator
22. Fuel Gauge
23. Fan Icon
24. Turbo Indicator
25. Air-speed Indicator
26. Speed Lock Icon
27. Battery Icon

ASSEMBLY

⚠ WARNING: If any parts are damaged or missing, do not operate this product until the parts are replaced. Use of this product with damaged or missing parts could result in serious personal injury.

⚠ WARNING: Do not attempt to modify this product or create accessories not recommended for use with this blower. Any such alteration or modification is misuse and could result in a hazardous condition leading to possible serious personal injury.

⚠ WARNING: To prevent accidental starting that could cause serious personal injury, always remove the batteries from the tool when assembling parts.

ASSEMBLING THE BLOWER TUBES

Connecting the Control-Handle Tube to the Bellows

1. Insert the upper end of the control-handle tube into the bellows as far as it will go (Fig. B1).
2. Securely tighten the screw in the clamping collar affixed to the bellows (Fig. B2).

Connecting the Blower Tube to the Control-Handle Tube

1. Loosen and remove the quick-release lever and wing nut from the tube clamp assembly affixed to the blower tube (Fig. C1).
2. Align the groove in the blower tube with the rib on the control-handle tube, slide the blower tube over the control-handle tube as far as it will go (Fig. C2).
3. Insert the pin of the quick-release lever and close the lever onto the tube clamp (Fig. C3).
4. Tighten the wing nut to secure the tube clamp (Fig. C4).

Connecting the Tapered Nozzle to the Blower Tube

1. Align the groove in the nozzle with the latch on the tube. Push the nozzle over the tube until it securely snaps into place (Fig. D1).
2. **To remove the nozzle**, press and hold the nozzle-release button to disengage the latch, then pull the nozzle straight from the blower tube (Fig. D2).

OPERATION

⚠ WARNING: Do not allow familiarity with this product to make you careless. Remember that a careless fraction of a second is sufficient to inflict serious injury.

⚠ WARNING: Do not use any attachments or accessories not recommended by the manufacturer of this product. The use of attachments or accessories not recommended can result in serious personal injury.

⚠ WARNING: Always remove the batteries from the product when you are assembling parts, making adjustments, cleaning, or when not in use. Removing the batteries will prevent accidental starting that could cause serious personal injury.

Before each use, inspect the entire product for damaged, missing, or loose parts, such as screws, nuts, bolts, caps, etc. Tighten securely all fasteners and caps and do not operate this product until all missing or damaged parts are replaced.

APPLICATION

You may use this product for the purposes listed below:

- Clearing leaves and miscellaneous yard debris from lawns and mulch beds.

- Clearing hard surfaces, such as driveways and walkways.
- Keeping decks and driveways free from leaves and pine needles.

NOTICE: The tool is to be used only for its prescribed purpose. Any other use is deemed to be a case of misuse.

ATTACHING/DETACHING THE BATTERY PACK

Fully charge before first use.

NOTICE: For best performance, we recommend use of the EGO 56V battery pack with 7.5 Ah or higher Ah rating. The blower has two active battery ports, located on the left and right side of the battery port housing.

NOTE: The blower can operate off of one or two batteries. Using two batteries gives you a longer run time and efficient power draw managed by PEAK POWER™ technology.

When the battery packs are inserted into the corresponding battery ports marked with 1 or 2 on the backpack plate, and the blower is turned on, the corresponding battery icon will illuminate on the LCD screen (Fig. E1).

■ To Attach (Fig. E2)

Align the battery ribs with the mounting slots in one and press the battery pack down until you hear a “click”.

Attach the other battery.

■ To Detach

Depress the battery-release button and pull the battery pack out

⚠ WARNING: Always take care to note the location of your feet, children, or pets when pressing the battery-release button. Serious injury could result if the battery falls. NEVER remove the battery when in a high location.

POSITIONING THE BACKPACK BLOWER

⚠ WARNING: Dress properly to reduce the risk of injury when operating this machine. Do not wear loose clothing or jewelry. Wear eye and ear/hearing protection. Wear heavy, long pants, boots and gloves. Do not wear short pants, sandals or go barefoot.

Before using the backpack blower, make sure that the operator is wearing eye protection and proper clothing and can maintain a secure and balanced footing.

To Adjust the Support Harness

1. Put your arms through the backpack straps to support the blower on your back.

2. Temporarily adjust both shoulder straps to comfortable positions (Fig. F1), making sure that your elbow is comfortable.
3. Snap the chest buckle and adjust the chest strap length if necessary (Fig. F2).
4. Snap the waist buckle and adjust the waist strap length so that the backpack is securely supported by your hips (Fig. F3 & F4).

NOTE: The backpack shouldn't sit too high on your back; it should be positioned closer to your hips than to your shoulders.

⚠ WARNING: When emergency occurs, release the chest and waist buckles immediately to take off the backpack strap at each side. This is a quick release method.

5. Readjust the shoulder straps for security and comfort. Make sure that the backpack sits securely on your back, with the weight supported by the waist strap, and without excess movement when you move (Fig. F5).
6. Insert any extra length of the strap around the waist into the elastic on both sides (Fig. F6).
7. To detach the backpack from your back, just press the waist and chest buckles to release them and lower the blower (Fig. F7).

To Adjust the Control Handle

1. Release the quick-release lever to move the control handle forward or backward as needed (Fig. G1 & G2) and then engage the quick-release lever to secure the control handle in place.
2. You may also rotate the handle as needed for comfort (Fig. G3).

To Adjust the Control-Handle Tube Length (Fig. H1, H2)

1. Release the quick-release lever.
2. Move the blower tube to a comfortable operating position within the adjustment zone (Fig. H1).
3. Engage the quick-release lever to secure the blower tube in place (Fig. H2).

STARTING/STOPPING THE BLOWER

NOTE: The blower may not properly start if the battery pack or the blower temperature is -15°C or less. In this case, remove the battery pack from the blower, allow the battery pack and blower to warm up indoors for 10 minutes or longer. Reinstall the battery pack and try again.

Air-Speed Trigger (Fig. I1, I2)

- Depress the air-speed trigger to turn on the blower, then the LCD screen will display the fuel gauge, battery icon, and air speed indicator.

NOTE: 1 LED of the fuel gauge on the LCD screen flashes when the battery charge is low.

- The air speed of the blower is controlled with the variable speed trigger. More pressure on the trigger results in higher blowing speeds; less pressure on the trigger results in lower blowing speeds. Adjust the speed to suit the task at hand. The corresponding air speed indicator will display on the LCD screen.
- Release the air-speed trigger to turn off the blower. The LCD screen will turn off within a certain period of time after the trigger is released.

Turbo Mode

While the air-speed trigger is depressed and held, press the turbo button to increase the air flow to the maximum velocity (Fig. I1). Both the turbo indicator and the fan icon will illuminate on the LCD screen (Fig. I3).

NOTE: The blower will return to the previous speed when the turbo button is released.

Speed Lock Mode

The speed lock can be used to operate the blower without continuously pressing the air-speed trigger.

1. Depress the air-speed trigger until you reach the desired speed (Fig. I1).
2. Press the speed lock button. The speed lock icon will illuminate on the LCD screen (Fig. I4).
3. Then release the air-speed trigger, the blower will keep running at “desired” speed.

NOTE: Pressing the turbo button while in speed lock mode can lock the air speed at the maximum level. The blower will resume the previous speed when you press the turbo button once more.

4. To release the speed lock, press the speed lock button again. The speed lock icon will disappear from the LCD screen and the blower will turn off.

FOR USING THE BLOWER

- To keep from scattering debris, blow around the outer edges of a debris pile. Never blow directly into the centre of a pile.
- To reduce sound levels, limit the number of pieces of equipment used at any one time.
- Use rakes and brooms to loosen debris before blowing. In dusty conditions, slightly dampen surfaces if water is available.

- Watch out for children, pets, open windows, or freshly washed cars, and blow debris safely away.
- After using blowers or other equipment, clean up! Dispose of debris properly.

MAINTENANCE

⚠ WARNING: When servicing, use only identical replacement parts. Use of any other parts may create a hazard or cause product damage. To ensure safety and reliability, all repairs should be performed by a qualified service technician.

⚠ WARNING: To avoid serious personal injury, always remove the battery pack from the product when cleaning or performing any maintenance.

GENERAL MAINTENANCE

Avoid using solvents when cleaning plastic parts. Most plastics are susceptible to damage from various types of commercial solvents and may be damaged by their use. Use a clean cloth to remove dirt, dust, oil, grease, etc.

⚠ WARNING: Do not at any time allow brake fluids, gasoline, petroleum-based products, penetrating oils, etc. to come in contact with plastic parts. Chemicals can damage, weaken or destroy plastic which may result in serious personal injury.

⚠ WARNING: To reduce the risk of fire, personal injury, and product damage due to a short circuit, never immerse your machine, battery pack or charger in fluid or allow a fluid to flow inside them. Corrosive or conductive fluids, such as seawater, certain industrial chemicals, and bleach or bleach containing products, etc., can cause a short circuit.

STORAGE

- Remove the battery from the blower.
- Clean all foreign material from the air inlets of the blower.
- Align the blower-tube storage knob with the tube-hanging groove and hook the blower tube onto the battery compartment housing (Fig. J1 & J2)
- Store in an enclosed space that is inaccessible to children. Keep away from corrosive agents, such as garden chemicals and de-icing salts.

PROTECTING THE ENVIRONMENT



Do not dispose of electrical equipment, used battery and charger into household waste! Take this product to an authorized recycler and make it available for separate collection. Electric tools must be returned to an environmentally compatible recycling facility.

TROUBLESHOOTING

PROBLEM	CAUSE	SOLUTION
Blower doesn't work.	<ul style="list-style-type: none"> ■ The battery pack is not attached to the blower. 	<ul style="list-style-type: none"> ■ Attach the battery pack to the blower.
	<ul style="list-style-type: none"> ■ No electrical contact between the blower and battery. 	<ul style="list-style-type: none"> ■ Remove battery pack, check contacts and reinstall the battery pack.
	<ul style="list-style-type: none"> ■ The battery pack charge is depleted. 	<ul style="list-style-type: none"> ■ Charge the battery pack.
	<ul style="list-style-type: none"> ■ The battery pack or blower is too hot. 	<ul style="list-style-type: none"> ■ Cool the battery pack and blower until their temperature drops below 67°C.
	<ul style="list-style-type: none"> ■ Damaged air-speed trigger. 	<ul style="list-style-type: none"> ■ Contact EGO Customer Service for repair.
	<ul style="list-style-type: none"> ■ The battery pack or blower is too cold. 	<ul style="list-style-type: none"> ■ Remove the battery pack, allow the battery pack and blower to warm up indoors. It is recommended to fully charge the battery pack and start the blower at low speed without activating the Turbo mode.
The speed lock mode cannot be turned on or off.	<ul style="list-style-type: none"> ■ Damaged speed lock button. 	<ul style="list-style-type: none"> ■ Contact EGO Customer Service for repair.
The air speed is noticeably reduced.	<ul style="list-style-type: none"> ■ The battery charge is low. 	<ul style="list-style-type: none"> ■ Charge the battery pack.
	<ul style="list-style-type: none"> ■ Excessive wear of motor fan. 	<ul style="list-style-type: none"> ■ Contact EGO service for repair.
	<ul style="list-style-type: none"> ■ The air inlet is blocked by debris. 	<ul style="list-style-type: none"> ■ Remove the battery pack, then clear the debris.
LCD screen not functioning properly.	<ul style="list-style-type: none"> ■ LCD screen or wire connection are damaged. 	<ul style="list-style-type: none"> ■ Contact EGO service for repair.
1 LED of the fuel gauge on the LCD screen flashes.	<ul style="list-style-type: none"> ■ The battery charge is low. 	<ul style="list-style-type: none"> ■ Charge the battery pack.



WARRANTY

EGO WARRANTY POLICY

For full warranty terms and conditions, warranty service or to make a claim, please visit our website egopowerplus.com.au/warranty-policy.

Also see full warranty details & warranty table on the 'NEED HELP?' flyer contained within this product.

Alternatively you can contact EGO customer service via the following:

Australia

Address: Chervon Australia Pty Ltd, Unit 14, 5 Kelletts Rd, Rowville, VIC, 3178.

Phone: 1300 000 346

Email: support@egopowerplus.com.au

New Zealand

Address: Chervon New Zealand Subsidiary Ltd, 4th Floor, Smith & Caughey Building, 253 Queen St, Auckland, 1141.

Phone: 0508 000 346

Email: support@egopowerplus.co.nz