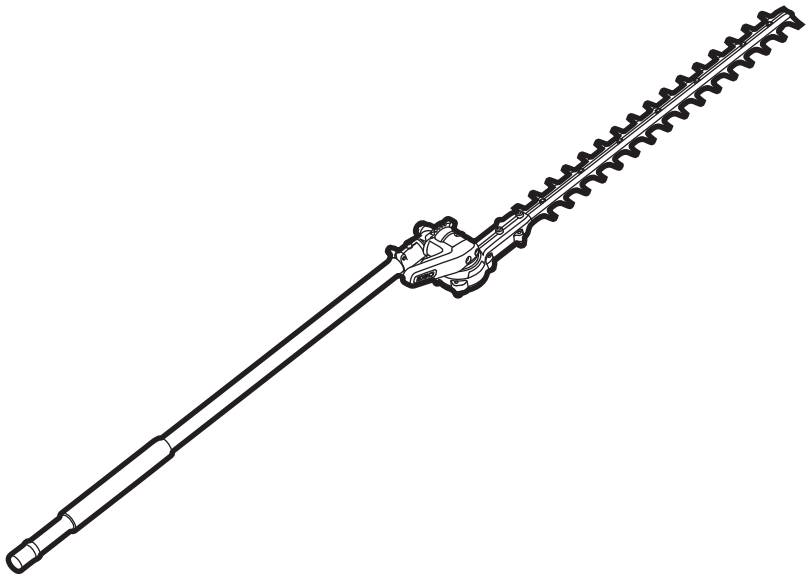




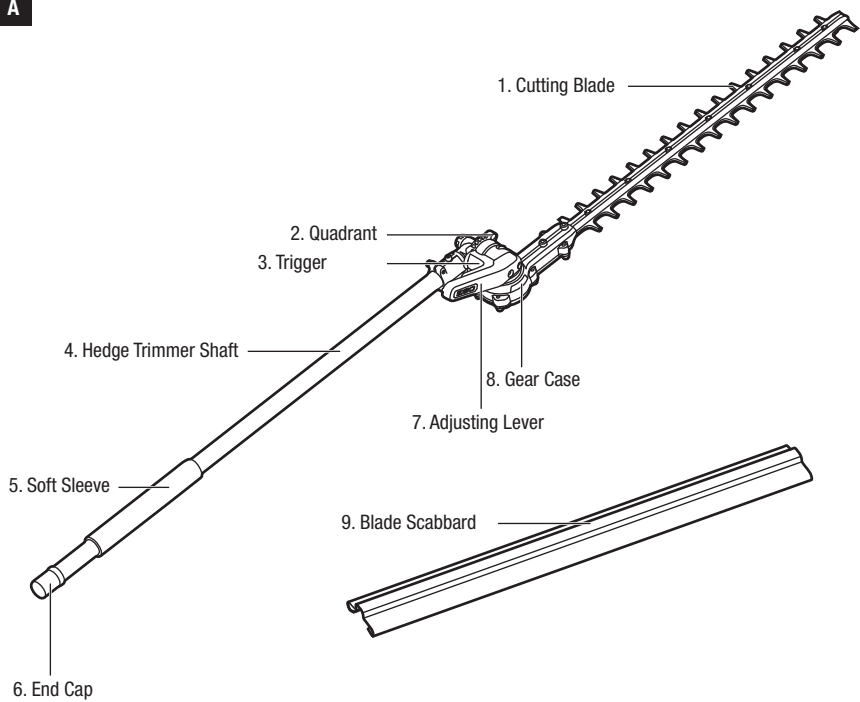
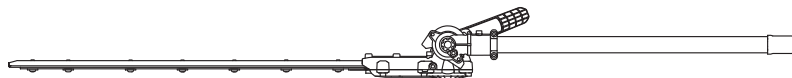
POWER<sup>+</sup> HEDGE TRIMMER ATTACHMENT

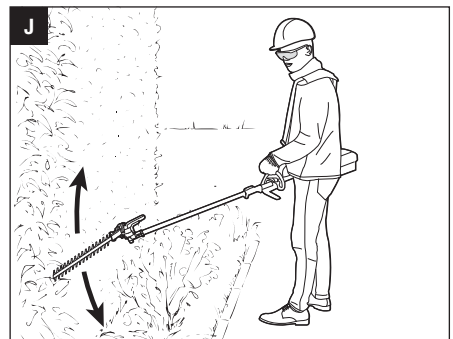
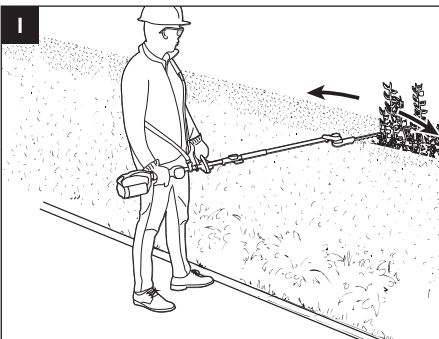
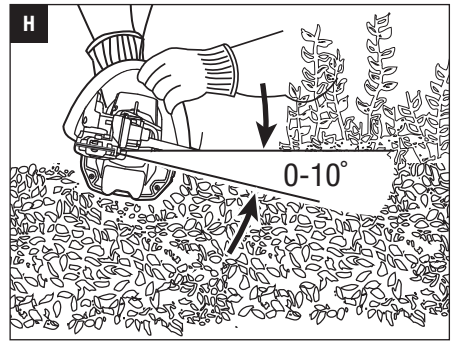
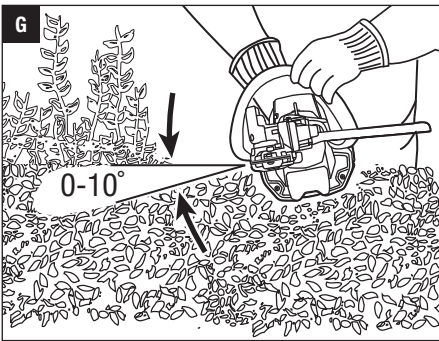
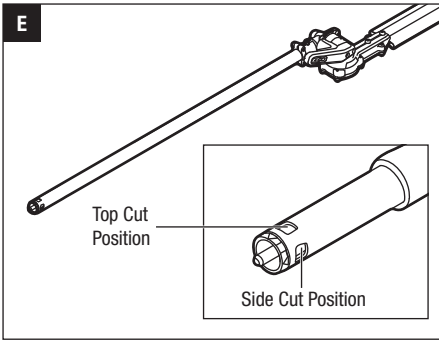
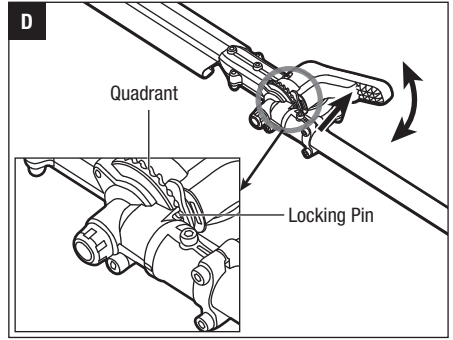
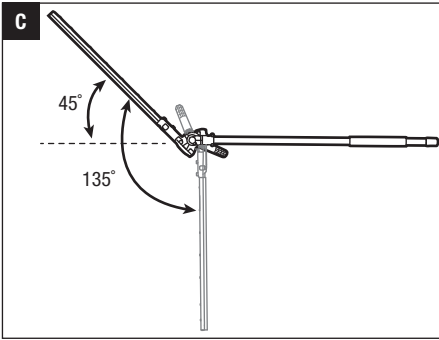


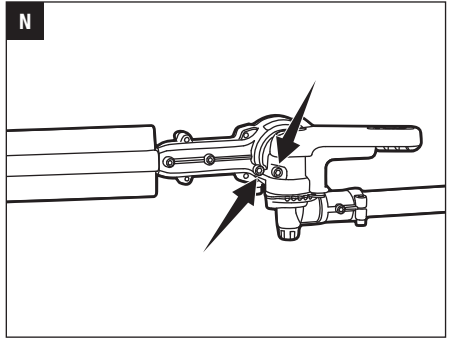
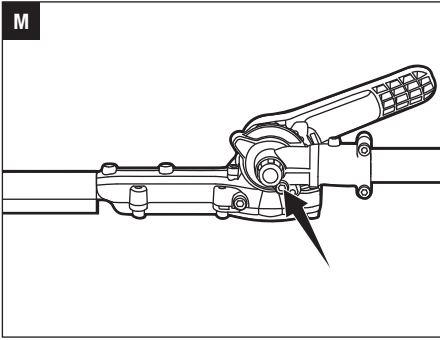
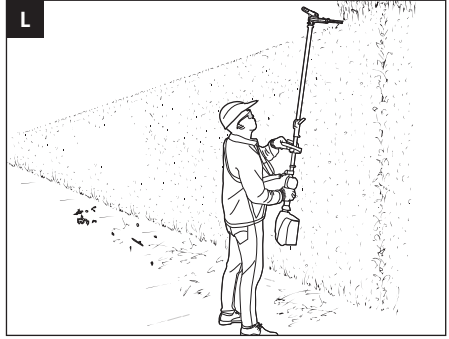
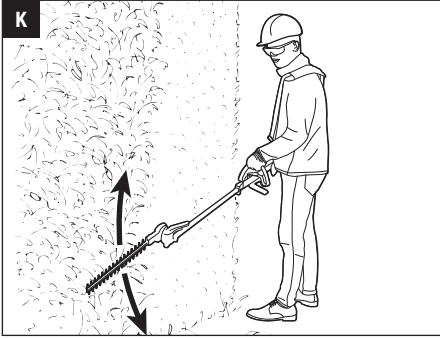
FOR USE ONLY WITH THE 56V LITHIUM-ION  
POWER HEAD PH1400E\PH1420E

OPERATOR'S MANUAL  
**HEDGE TRIMMER ATTACHMENT**  
MODEL NUMBER HTA2000/HTA2020

**⚠ WARNING:** To reduce the risk of injury, the user must read and understand the Operator's Manual before using this product. Save these instructions for future reference.

**A****B**





## READ ALL INSTRUCTIONS!



### READ OPERATOR'S MANUAL

**WARNING:** To ensure safety and reliability, all repairs and replacements should be performed by a qualified service technician.

## SAFETY SYMBOLS

The purpose of safety symbols is to attract your attention to possible dangers. The safety symbols and the explanations with them deserve your careful attention and understanding. The symbol warnings do not, by themselves, eliminate any danger. The instructions and warnings they give are no substitutes for proper accident prevention measures.

**WARNING:** Be sure to read and understand all safety instructions in this Operator's Manual, including all safety alert symbols such as **"DANGER," "WARNING,"** and **"CAUTION"** before using this tool. Failure to follow all instructions listed below may result in electric shock, fire, and/or serious personal injury.

## SYMBOL MEANING

**SAFETY ALERT SYMBOL:** Indicates **DANGER, WARNING, OR CAUTION.** May be used in conjunction with other symbols or pictographs.



**WARNING:** The operation of any power tools can result in foreign objects being thrown into your eyes, which can result in severe eye damage. Before beginning power tool operation, always wear safety goggles or safety glasses with side shields and a full face shield when needed. We recommend a Wide Vision Safety Mask for use over eyeglasses or standard safety glasses with side shields.

## SAFETY INSTRUCTIONS

This page depicts and describes safety symbols that may appear on this product. Read, understand, and follow all instructions on the machine before attempting to assemble and operate it.

	Safety Alert	Precautions that involve your safety.
	Read Operator's Manual	To reduce the risk of injury, user must read and understand operator's manual before using this product.
	Wear Eye and Head Protection	Always wear safety goggles or safety glasses with side shields and a full face shield when operating this product. Wear an approved safety hard hat to protect your head.
	Wear Ear Protection	Always wear ear protection when operating this product.
	Keep hands and feet away from the cutting tool	Never attempt to operate your power tool with one hand. Loss of control of the power tool resulting in serious or fatal injury may result. To reduce the risk of cut injuries, keep hands and feet away from the cutting tool. Never attach a moving cutting tool with your hand or any other part of your body.
	Keep sufficient distance away from electrical power lines	Ensure that keep sufficient distance away from electrical power lines when operating this product.
	Noise	Guaranteed sound power level.
	WEEE	Waste electrical products should not be disposed of with household waste. Take to an authorized recycler.

IPX4	IP Symbol	Protection against ingress of water degree 4
V	Volt	Voltage
mm	Millimetre	Length or size
cm	Centimetre	Length or size
kg	Kilogram	Weight
°C	Celsius Degree	Temperature

## IMPORTANT SAFETY INSTRUCTIONS

**⚠ WARNING!** When using electric gardening appliances, basic safety precautions should always be followed to reduce the risk of fire, electric shock, and personal injury, including the following:

### READ CAREFULLY BEFORE USE

### KEEP FOR FUTURE REFERENCE

**⚠ DANGER!** Do not operate near electrical power lines. The unit has not been designed to provide protection from electric shock in the event of contact with overhead electric lines. Consult local regulations for safe distances from overhead electric power lines and ensure that the operating position is safe and secure before operating the tool.

### HEDGE TRIMMER SAFETY WARNINGS

**⚠ DANGER!** Keep hands away from blade. Contact with blade will result in serious personal injury.

- **Keep all parts of the body away from the blade. Do not remove cut material or hold material to be cut when blades are moving.** Blades continue to move after the switch is turned off. A moment of inattention while operating the hedge trimmer may result in serious personal injury.
- **Carry the hedge trimmer by the handle with the blade stopped and taking care not to operate any power switch.** Proper carrying of the hedge trimmer will decrease the risk of inadvertent starting and resultant personal injury from the blades.
- **When transporting or storing the hedge trimmer, always fit the blade cover.** Proper handling of the hedge trimmer will decrease the risk of personal injury from the blades.
- **When clearing jammed material or servicing the unit, make sure all power switches are off and the lock-off is in the locked position.** Unexpected actuation of the hedge trimmer while clearing jammed material or servicing may result in serious personal injury.

- **Hold the power tool by insulated gripping surfaces only, because the cutter blade may contact hidden wiring.** Blades contacting a “live” wire may make exposed metal parts of the hedge trimmer “live” and could give the operator an electric shock.
- **Keep all power cords and cables away from cutting area.** Power cords or cables may be hidden in hedges or bushes and can be accidentally cut by the blade.
- **Do not use the hedge trimmer in bad weather conditions, especially when there is a risk of lightning.** This decreases the risk of being struck by lightning.

### EXTENDED-REACH HEDGE TRIMMER SAFETY

#### WARNINGS:

- **To reduce the risk of electrocution, never use the extended-reach hedge trimmer near any electrical power lines.** Contact with or use near power lines may cause serious injury or electric shock resulting in death.
- **Always use two hands when operating the extended-reach hedge trimmer.** Hold the extended-reach hedge trimmer with both hands to avoid loss of control.
- **Always use head protection when operating the extended-reach hedge trimmer overhead.** Falling debris can result in serious personal injury.
- **Use both hands when operating the hedge trimmer. Using one hand could cause loss of control and result in serious personal injury.**
- **Do not overreach. Keep proper footing and balance at all times. Special care must be taken in slippery conditions (wet ground, snow) and in difficult, overgrown terrain. Watch for hidden obstacles such as tree stumps, roots and ditches to avoid fallen branches, scrub and cuttings. Be extremely cautious when working on slopes or uneven ground.**
- **Do not use on a ladder, rooftop, tree, or other unstable support.** Stable footing on a solid surface enables better control of the hedge trimmer in unexpected situations.
- **Observe the cutting blades at all times – do not cut any area if the hedge that you cannot see. When cutting the top of a taller hedge, check the other side of the hedge frequently for bystanders, animals and obstructions.**
- Check damaged parts before further use of the hedge trimmer. Check for alignment of moving parts, binding of moving parts, breakage of parts, mounting, and any other condition that may affect its operation.
- Check the blade and motor mounting bolts at frequent intervals for proper tightness. Also, visually inspect blade for damage (e.g., bent, cracked, and worn). Replace the blade only with a blade from EGO™.

- Replace the blade if it is bent or cracked. An unbalanced blade causes vibration that could damage the motor drive unit or cause personal injury.
- If the equipment should start to vibrate abnormally, stop the motor and check immediately for the cause. Vibration is generally a warning of trouble.
- The trimmer shall be used to cut stems less than 26mm thick.
- Trim only in daylight or in good artificial light.
- Do not use the battery-operated hedge trimmer in rain.

### ADDITIONAL WARNINGS

- **Do not charge the battery pack in rain or in wet locations.**
- Use only with EGO's battery packs and chargers.

BATTERY PACK	CHARGER
BA1400, BA2800, BA4200, BA1400T, BA2800T, BA4200T, BA5600T, BA6720T	CH2100E, CH5500E, CH7000E

- The battery pack must be removed from the appliance before it is scrapped.
- The battery shall be disposed of safely.
- **Do not dispose of the battery in a fire.** The cells may explode. Check with local codes for possible special disposal instructions.
- **Do not open or mutilate the battery.** Released electrolyte is corrosive and may cause damage to the eyes or skin. It may be toxic if swallowed.

**⚠ CAUTION!** The electrolyte is a dilute sulfuric acid that is harmful to the skin and eyes. It is electrically conductive and corrosive.

- **Exercise care in handling batteries in order not to short the battery with conducting materials such as rings, bracelets, and keys.** The battery or conductor may overheat and cause burns.
- **Battery tools do not have to be plugged into an electrical outlet; therefore, they are always in operating condition.** Be aware of possible hazards even when the tool is not operating. Take care when performing maintenance or service.
- **Remove the battery pack before servicing, cleaning or removing material from the tool.**
- **Replacement Parts** - When servicing, use only identical EGO replacement parts. Use of any other accessory or attachment may increase the risk of injury.

- **Have your power tool serviced by a qualified repair person using only identical replacement parts.** This will ensure that the safety of the power tool is maintained.
- **Do not wash with a hose; avoid getting water in motor and electrical connections.**
- **Store the tool in a dry and high or locked location out of reach of children.**
- **If situations occur that are not covered in this manual, use care and good judgment. Contact the EGO Service Centre for assistance.**
- **Save these instructions.** Refer to them frequently and use them to instruct others who may use this tool. If you lend this tool to someone else, also lend these instructions to them to prevent misuse of the product and possible injury.

### SAVE THESE INSTRUCTIONS

**NOTE: SEE YOUR POWER HEAD OPERATOR'S MANUAL FOR ADDITIONAL SPECIFIC SAFETY RULES.**

## SPECIFICATIONS

Blade Length	51 cm
Cutting Capacity	26 mm
Weight (Without battery pack)	2.28 kg
Recommended Operating Temperature	0°C-40°C
Recommended Storage Temperature	-20°C-70°C

## PACKING LIST

PART NAME	QUANTITY
Hedge Trimmer Attachment	1
Blade Scabbard	1
Operator's Manual	1

## DESCRIPTION

### KNOW YOUR HEDGE TRIMMER ATTACHMENT (Fig. A)

1. Cutting Blade
2. Quadrant
3. Trigger
4. Hedge Trimmer Shaft
5. Soft Sleeve
6. End Cap
7. Adjusting Lever
8. Gear Case
9. Blade Scabbard

## ASSEMBLY

**⚠ WARNING:** If any parts are damaged or missing, do not operate this product until the parts are replaced. Use of this product with damaged or missing parts could result in serious personal injury.

**⚠ WARNING:** Do not attempt to modify this product or create accessories not recommended for use with this hedge trimmer. Any such alteration or modification is misuse and could result in a hazardous condition leading to possibly serious personal injury.

**⚠ WARNING:** Never attach or adjust any attachment while the power head is running or with the battery installed. Failure to stop the motor and remove the battery may cause serious personal injury.

### ADJUSTING THE CUTTING BLADE

When the hedge trimmer is removed from the package, it is folded in its storage position where the cutting blade is against the shaft (Fig. B). It is recommended to adjust the cutting blade to a suitable working position before attaching it to the power head.

There are 12 possible working positions. The angle of the cutting blade can be adjusted upwards in 5 stages from 0° (straight) to 45°, including 0°, and downwards in 7 stages from 0° to 90° (right angle facing down) (Fig. C), not including 0°.

1. Press the trigger on the adjusting lever and meanwhile rotate the adjusting lever to adjust the cutting blade to the desired cutting position (Fig. D).
2. Once the desired position has been reached, release the trigger. An audible click indicates that the locking pin is engaged in the quadrant, right located into place (Fig. D).

**⚠ WARNING:** To reduce the risk of injury, carry out the adjustment only when the cutting blades are at a standstill. Never touch the blades while making adjustments.

**⚠ WARNING:** To reduce the risk of injury, always stop the tool and fit the blade scabbard before moving the cutting blade to the storage position or from the storage position to the normal working position.

### CONNECTING/REMOVING THE HEDGE TRIMMER ATTACHMENT TO THE POWER HEAD

This hedge trimmer attachment is designed for use with EGO 56V LITHIUM-ION Power Head PH1400EPH1420E. Besides top cutting, there is a side-cutting position in the hedge trimmer shaft for connecting with the power head (Fig. E). Detail working techniques please see “**WORKING TECHNIQUES**” section in this manual.

See “**INSTALLING AN ATTACHMENT TO THE POWER HEAD**” section in the power head PH1400E operator’s manual or “**INSTALLING A POWER HEAD ATTACHMENT**” section in the power head PH1420E operator’s manual for connecting the hedge trimmer to the power head.

See “**REMOVING THE ATTACHMENT FROM THE POWER HEAD**” section in the power head PH1400EPH1420E operator’s manual to remove the hedge trimmer from the power head.

## OPERATION

**⚠ DANGER:** Never cut near power lines, electric cords, or other electric sources. If the cutting blades jam on any electrical cord or line, **DO NOT TOUCH THE CUTTING BLADE OR THE ALUMINUM POLE! THEY CAN BECOME ELECTRICALLY LIVE AND MAY BE VERY DANGEROUS.** Continue to hold the hedge trimmer by the insulated rear handle or lay it down and away from you in a safe manner. Disconnect the electrical service to the damaged line or cord before attempting to free the cutting blade from the line or cord. Contact with the cutting blade, other conductive parts of the hedge trimmer or live electric cords or lines will result in death by electrocution or serious injury.

**⚠ WARNING:** Do not allow familiarity with this product to make you careless. Remember that a careless fraction of a second is sufficient to inflict serious injury.

**⚠ WARNING:** Always wear eye protection, along with hearing protection. Failure to do so could result in objects being thrown into your eyes and other possible serious injuries.

Before each use, inspect the entire product for damaged, missing, or loose parts such as screws, nuts, bolts, caps, etc. Tighten securely all fasteners and caps and do not operate this product until all missing or damaged parts are replaced.

**⚠ WARNING:** To prevent serious personal injury, remove the battery pack from the tool before servicing, cleaning, changing attachments or removing material from the unit.

## After each use, clean the tool.

See the Maintenance section for cleaning instructions.

## APPLICATIONS

You may use this product for trimming the hedges, shrubs, scrub, bushes and similar material with a branch diameter of less than Ø26 mm.

**NOTICE:** The tool is to be used only for its prescribed purpose. Any other use is deemed to be a case of misuse.

## USING THE HEDGE TRIMMER WITH POWER HEAD

**⚠ WARNING:** Dress properly to reduce the risk of injury when operating this tool. Do not wear loose clothing or jewelry. Wear eye and ear/hearing protection. Wear heavy, long pants, boots and gloves. Do not wear short pants or sandals or go barefoot.

### PREPARATION FOR CUTTING:

1. Adjusting the cutting blade to the desired working position.
2. Remove the blade scabbard from the cutting blade.
3. For safe and better operation, put on the shoulder strap across the shoulder. Adjust the shoulder strap into a comfortable operating position. Following the instructions in the section “**MOUNTING THE SHOULDER STRAP**” in PH1400E\PH1420E operator’s manual to attach the shoulder strap onto the power head.

**⚠ WARNING:** The shoulder strap is also a quick release mechanism in hazardous situation. When an emergency occurs, take it off your shoulder immediately, no matter what way the strap is in.

### WORKING TECHNIQUES

- **Horizontal Cutting (with cutting blade at an angle):**  
Cut close to the ground from a standing position, e.g. low shrubs.  
Swing the cutting blade up and down as you move along the hedge – use both sides of the cutting blades, do not rest the cutter blade on the ground (Fig. F).

**NOTICE:** Please make sure the lock-off device is not located within any grasping surface.

- **Horizontal Cutting (with straight cutting blade)**  
Hold the cutting blade at an angle of 0° to 10° as you swing the hedge trimmer horizontally. Swing the cutting blade in an arc towards the outsides of the hedge so that the cuttings are swept to the ground (Fig. G, H & I).  
Recommendation: Only cut hedges that are no more

than chest height in this working position.

- **Vertical Cutting (with cutting blade at an angle):**  
Cutting without standing directly next to the hedge, e.g. flowerbed between operator and hedge.  
In this cutting position, for your better control of the hedge trimmer, it is recommended that connect the hedge trimmer with the power head at the side-cutting position (see Fig. E).  
Swing the cutting blade up and down in an arc as you move along the hedge – use both sides of the cutting blade (Fig. J).
- **Vertical Cutting (with straight cutting blade):**  
Extra long reach without the need for other aids.  
Swing the cutting blade up and down in an arc as you move along the hedge – use both sides of the cutting blade (Fig. K).
- **Overhead Cutting (with cutting blade at an angle)**  
Hold the hedge trimmer vertically and swing it in an arc to make maximum use of its reach (Fig. L). For extreme high hedge, the extension pole is suitable for aids in trimming.

**⚠ WARNING:** Any working position above head height is tiring. To minimize the risk of accidents, work in such positions for short periods only. Set angle of adjustable cutting blade to maximum so that the tool can be held in a lower, less tiring position (with shoulder strap) while still providing adequate reach.

### TO START/STOP THE TOOL

See “**STARTING/STOPPING THE POWER HEAD**” section in the power head PH1400E\PH1420E operator’s manual.

## MAINTENANCE

**⚠ WARNING:** Before inspecting, cleaning or servicing the unit, stop the motor, wait for all moving parts to stop, and remove the battery pack. Failure to follow these instructions can result in serious personal injury or property damage.

**⚠ WARNING:** When servicing, use only identical replacement parts. Use of any other parts can create a hazard or cause product damage. To ensure safety and reliability, all repairs should be performed by a qualified service technician.

### GENERAL MAINTENANCE

Avoid using solvents when cleaning plastic parts. Most plastics are susceptible to damage from various types of

commercial solvents and may be damaged by their use. Use clean cloths to remove dirt, dust, oil, grease, etc.

## CLEAN THE UNIT

- Use a soft brush to remove debris from all air intakes and cutting blade.
- To remove pitch and other sticky residue, spray the blades with resin solvent. Run the motor briefly so that the solvent is evenly distributed.
- Do not use any strong detergents on the plastic housing or the handle. They can be damaged by certain aromatic oils, such as pine and lemon, and by solvents such as kerosene. Moisture can also cause a shock hazard. Wipe off any moisture with a soft dry cloth. Never use water for cleaning the tool.

## SHARPENING THE CUTTING BLADE

When cutting performance and behavior begin to deteriorate, i.e. blades frequently snag on branches: Resharpener the cutting blades.

It is recommended to have the cutting blades resharpened by a qualified service technician.

**NOTICE:** Do not operate your hedge trimmer with dull or damaged cutting blades. This may cause overload and will give unsatisfactory cutting results.

## LUBRICATING THE BLADE

To prevent rust, it is recommended to lubricate the blades with anti-rusting oil when it is stored for long time.

**WARNING:** Blades are sharp. When handling the blade assembly, wear non-slip, heavy-duty protective gloves. Do not place your hand or fingers between blades or in any position where they could get pinched or cut. NEVER touch blades or service the unit with battery pack installed.

## TRANSMISSION GEARS LUBRICATION

The transmission gears in the gear case need to be lubricated periodically with gear grease. Check the gear case grease level about every 50 hours of operation by removing the sealing screw on the gear case. There are three sealing screws with one on the side and two on the top.

If no grease can be seen on the flanks of the gear, follow the steps below to fill with gear grease up to 3/4 capacity.

Do not completely fill the transmission gears.

1. Depending on which screw you are removing, hold the hedge trimmer on its side or lay it on its back so that the sealing screw to be removed is facing upwards (Fig. M & N).
2. Use the wrench provided to loosen and remove the sealing screw.
3. Use a grease syringe (not included) to inject some grease into the screw hole; do not exceed 3/4 capacity.
4. Tighten the sealing screw after injection.

## STORING THE UNIT

- Remove the battery pack from the tool.
- Clean the tool thoroughly before storing it.
- Put on the blade scabbard onto the cutting blade before storing or transporting. Use caution to avoid the sharp teeth of the blades. For saving space, it is recommended to fold the hedge trimmer to its storage position (see Fig. B).
- If the hedge trimmer is removed from the power head and stored separately, fit the end cap on the attachment shaft to avoid dirt getting into the coupler.
- Store the unit in a dry, well-ventilated area, locked-up or up high, out of the reach of children. Do not store the unit on or adjacent to fertilizers, gasoline, or other chemicals.

## Protecting the environment



Do not dispose of electrical appliances as unsorted municipal waste, use separate collection facilities.

Contact your local government for information regarding the collection systems available.

If electrical appliances are disposed of in landfills or dumps, hazardous substances can leak into the groundwater and get into the food chain, damaging your health and well-being.

## TROUBLESHOOTING

PROBLEM	CAUSE	SOLUTION
Hedge Trimmer does not work.	<ul style="list-style-type: none"> <li>■ The battery pack is not attached to the hedge trimmer.</li> <li>■ No electrical contact between the hedge trimmer and battery.</li> <li>■ The battery pack is depleted.</li> <li>■ The lock-off button is not depressed before pressing the trigger.</li> <li>■ The battery pack or power head is too hot.</li> <li>■ The blade is jammed.</li> <li>■ The hedge trimmer is not well connected with the power head.</li> </ul>	<ul style="list-style-type: none"> <li>■ Attach the battery pack to the hedge trimmer.</li> <li>■ Remove battery, check contacts and reinstall the battery pack.</li> <li>■ Charge the battery pack.</li> <li>■ Press down the lock-off lever and hold it, then depress the trigger to turn on the tool.</li> <li>■ Allow the battery pack or power head to cool until the temperature drops below 152°F (67°C).</li> <li>■ Remove the battery pack from the tool. Remove the obstruction carefully and then reinsert the battery and restart the tool.</li> <li>■ Disconnect the hedge trimmer from the power head. Reconnect them following the section “<b>INSTALLING AN ATTACHMENT TO THE POWER HEAD</b>” in PH1400E operator’s manual or the section “<b>INSTALLING A POWER HEAD ATTACHMENT</b>” in PH1420E operator’s manual.</li> </ul>
Excessive vibration or noise.	<ul style="list-style-type: none"> <li>■ Dry or corroded blades.</li> <li>■ Blades or blade support is bent.</li> <li>■ Bent or damaged teeth.</li> <li>■ Loose blade bolts.</li> </ul>	<ul style="list-style-type: none"> <li>■ Lubricate the blades.</li> <li>■ Replace with a new blade or support. Contact EGO service centre for blade or support replacement.</li> <li>■ Replace with a new blade or support. Contact EGO service centre for blade or support replacement.</li> <li>■ Tighten the blade bolts. Using a wrench, (not included), turn the bolt clockwise to tighten.</li> </ul>



## WARRANTY POLICY

For warranty service or to make a claim, please visit our Warranty Portal at [egopowerplus.com.au/warranty-policy](http://egopowerplus.com.au/warranty-policy), alternatively you can contact EGO customer service via the following: **Australia 1300 000 346, New Zealand 0508 000 346.**

Chervon Australia Pty Ltd ABN 36 165 077 501 and Chervon New Zealand Subsidiary Ltd NZBN 9429049277616 ("Chervon") warrants to the original domestic purchaser that this product will be free from defects in materials and workmanship for 5 years from date of purchase, and any battery or charger will be free from defects in materials and workmanship for 3 years from date of purchase.

Warranty for commercial use is 1 year on all product, battery and chargers. The Commercial Range Product Warranty for commercial users is 2 years for commercial tools, commercial batteries and commercial chargers. Please refer to product warranty table below for further clarification.

The warranty period for routine accessories, consumables or maintenance parts, such as, but not limited to, ride-on mower seat, wheels, tyres, anti-scalp wheels, brake discs, blades, trimmer heads, chain bars, saw chains, augers, blower nozzles, and all other EGO accessories is 90 days for residential purpose, 30 days for industrial, professional or commercial purpose. These parts are covered for 90/30 days from manufacture defects in normal working conditions.

To make a claim, call 1300 000 346 for AU or 0508 000 346 for NZ or lodge a claim via our portal link above. Any handling and transportation costs (and other expenses incurred in claiming this warranty) are not covered by this warranty and will not be borne by Chervon. The replacement product or part or repaired product will be made available for your collection at an address nominated by Chervon. Where a valid warranty claim is made, Chervon will replace the defective product or repair the fault. Where the product is repaired, Chervon may use refurbished parts. This warranty does not cover normal wear and tear, misuse or abuse (including overloading of the product beyond capacity and exposure to water or rain), accidents, neglect or lack of proper installation, and improper maintenance or storage. This warranty does not cover the damage resulting from modification, alteration or unauthorised repair. This warranty does not cover normal deterioration of the exterior finish, including but not limited to scratches, dents, paint chips, or to any corrosion or discolouring by heat, abrasive and chemical cleaners. This warranty is void if the product has been used for rental purpose. This warranty may also be further limited or voided as specifically detailed in the product Manual. Chervon has no other liability under this warranty. The benefits to you given by this warranty are in addition to other rights and remedies imposed by State and Federal legislation that cannot be excluded. Our goods come with guarantees that cannot be excluded under the Australian Consumer Law and the New Zealand Consumer Guarantee Act 1993. You are entitled to a replacement or refund for a major failure and compensation for any other reasonably foreseeable loss or damage. You are also entitled to have the goods repaired or replaced if the goods fail to be of acceptable quality and the failure does not amount to a major failure. The warranty applies to the original purchaser and applies only to purchases made from authorised EGO Dealers, which can be confirmed on the website store locator. For avoidance of doubt, 3rd party online stores such as eBay, Gumtree, Amazon, etc. are excluded.

**Chervon Australia Pty Ltd, Unit 14, 5 Kelletts Rd, Rowville, VIC. 3178.**

**Ph Australia; 1300 000 346. Email: [support@egopowerplus.com.au](mailto:support@egopowerplus.com.au)**

**Chervon New Zealand Subsidiary Ltd, 4th Floor, Smith & Caughey Building, 253 Queen St, Auckland, 1141.**

**Ph New Zealand; 0508 000 346. Email: [support@egopowerplus.co.nz](mailto:support@egopowerplus.co.nz)**

PRODUCT OR MODEL #	LIMITED WARRANTY FOR CONSUMER USE (PERSONAL, HOUSEHOLD USE)	LIMITED WARRANTY FOR PROFESSIONAL USE (ANY COMMERCIAL, AGRICULTURAL, INSTITUTIONAL, OR INCOME-PRODUCING USE)
EGO Power+ Outdoor Power Equipment and Portable Power Products	5 years	1 year
EGO Power+ Battery Packs and Chargers	3 years	1 year
<b>Specific warranties apply to the products below:</b>		
Commercial Tools*	5 years	2 years
Commercial Batteries & Chargers**	3 years	2 years
Mini Bike (MB1000E)	1 Year	N/A
Accessories / Consumables	90 Days	30 Days

\*Commercial Tools include: BCX3800, BCX4500, BHX1001, CSX3000, CSX5000, EDX2000, HTX5300-P, HTX5300-PA, HTX7500, LBPX8000, LBX1000, LBX6000, LMX5300SP, PPX1000, PTX5100, PSX2500, PSX2510, STX3800, STX4500.

\*\*Commercial Batteries & Chargers include: BAX1501, CHU6000E, CHX5500E, HC2240T, PGX1400PB, PGX1600E-H, PGX3000D.





