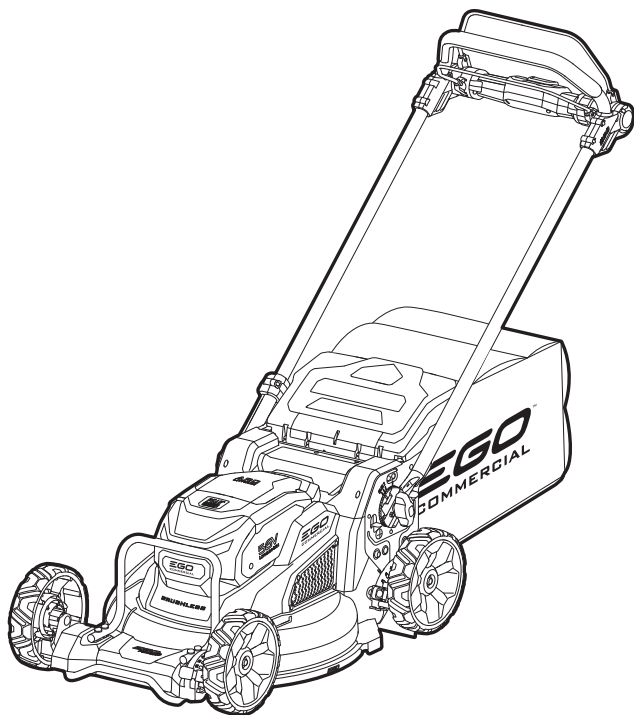


EGOTM

COMMERCIAL



OPERATOR'S MANUAL

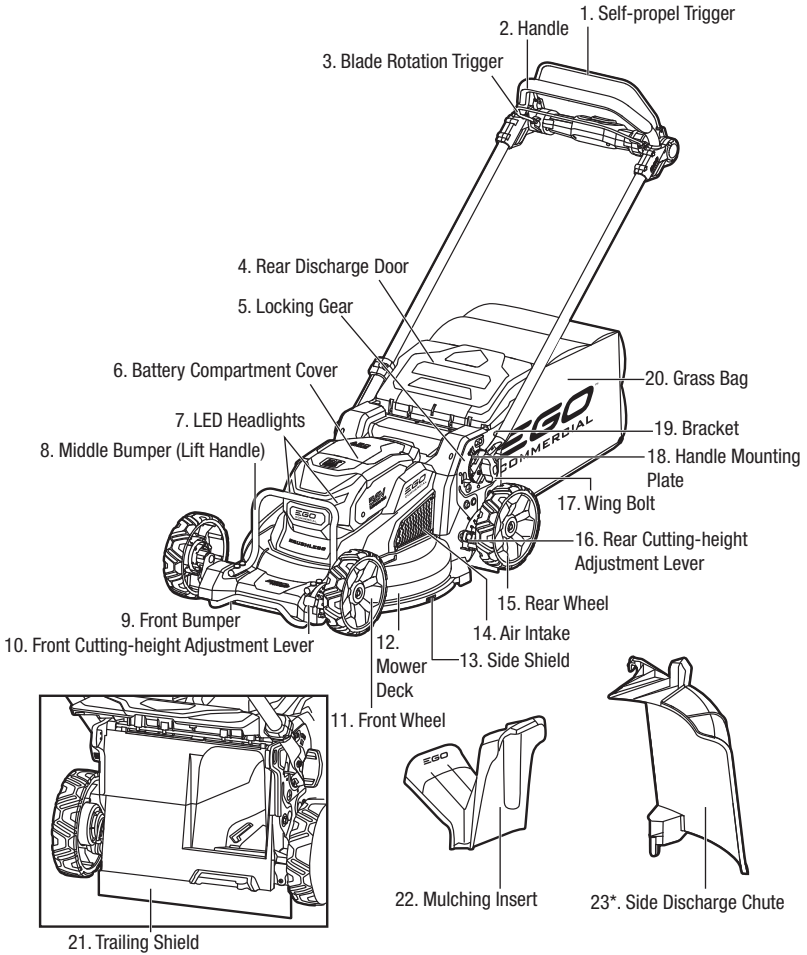
56 VOLT LITHIUM-ION

COMMERCIAL CORDLESS MOWER

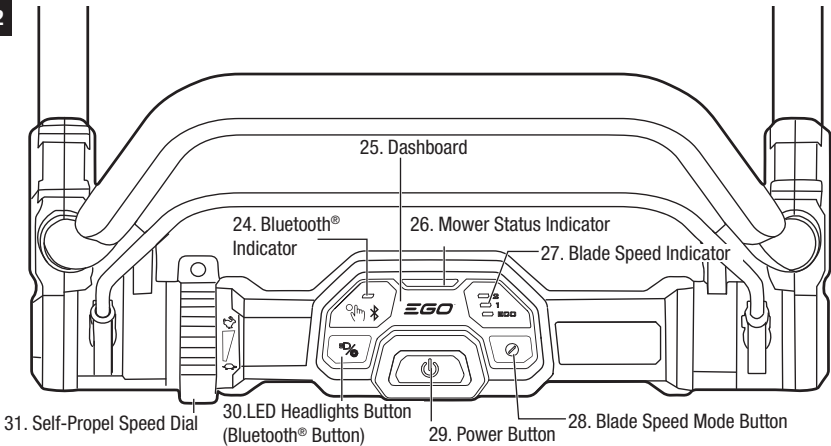
MODEL NUMBER LMX5300SP

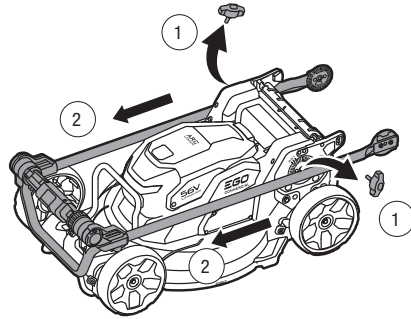
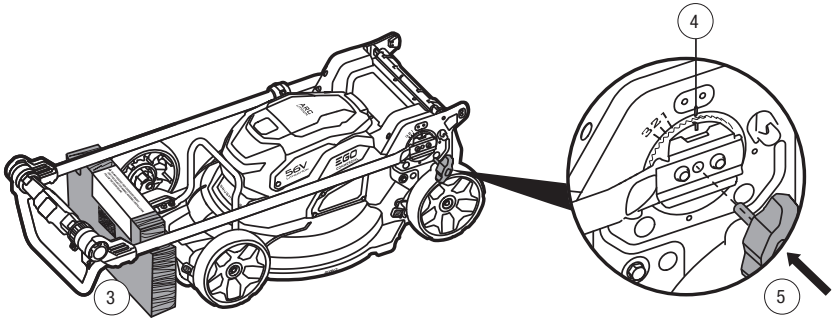
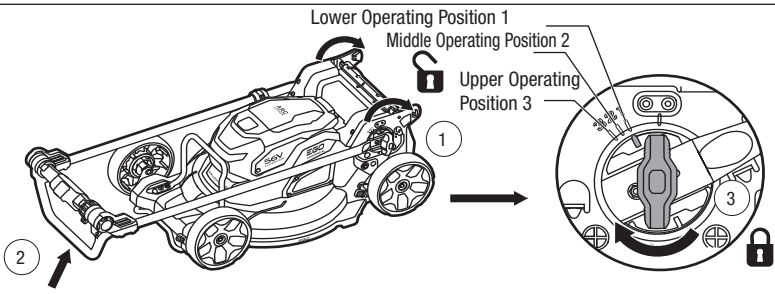
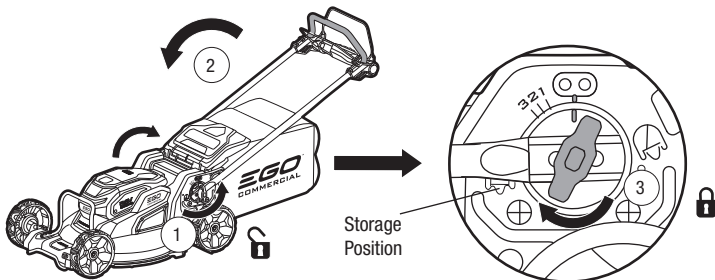
⚠ WARNING: To reduce the risk of injury, the user must read and understand the Operator's Manual before using this product. Save these instructions for future reference.

A1

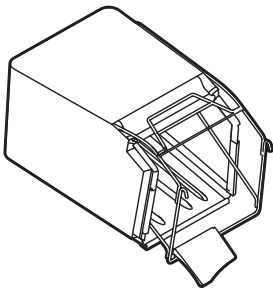


A2

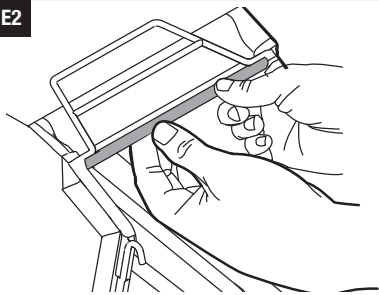


B1**B2****C****D**

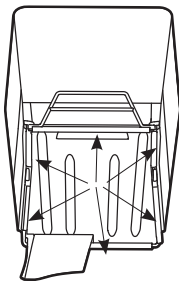
E1



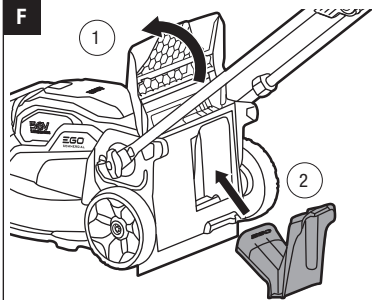
E2



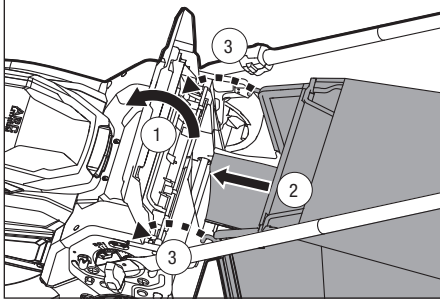
E3



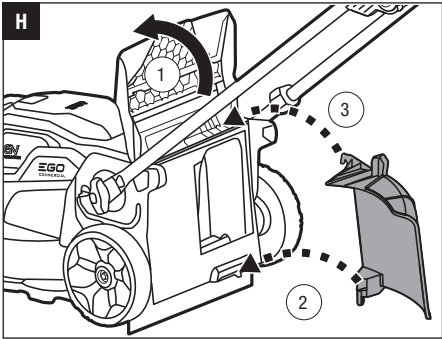
F



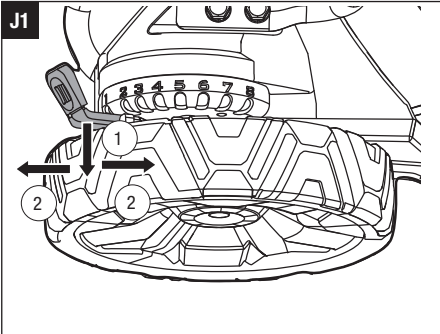
G



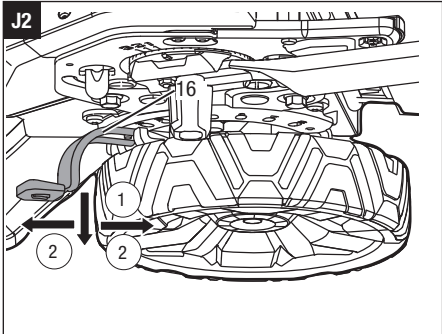
H

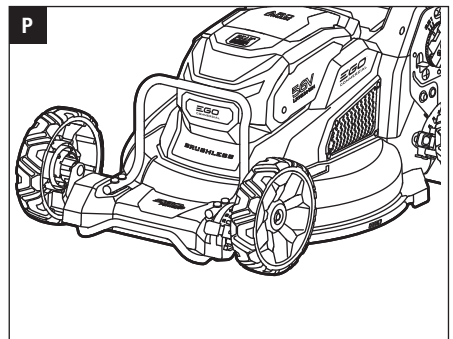
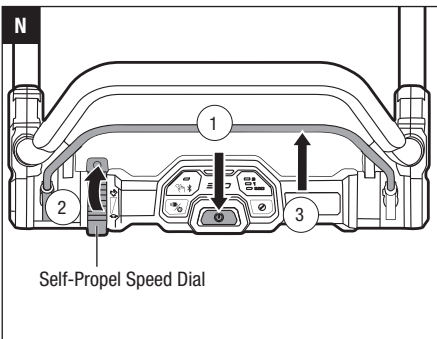
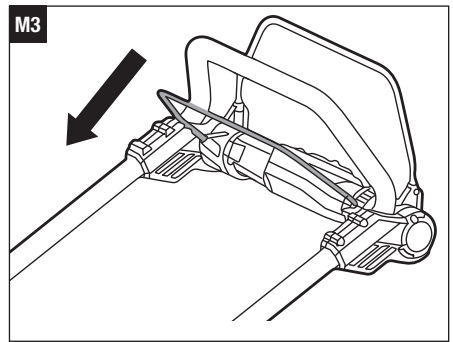
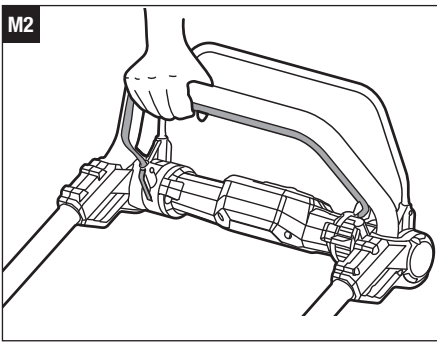
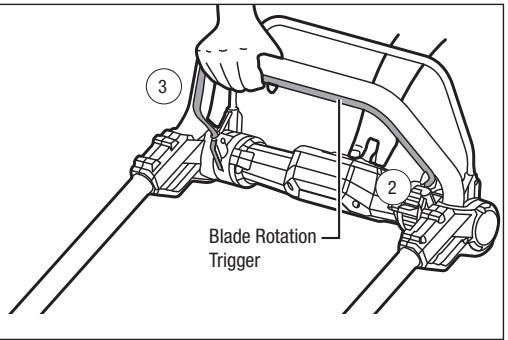
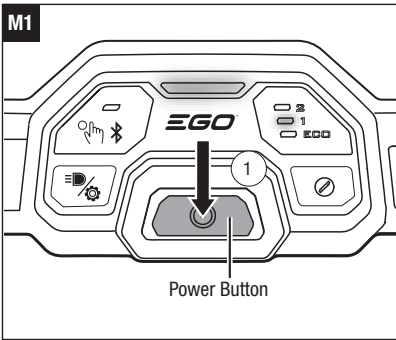
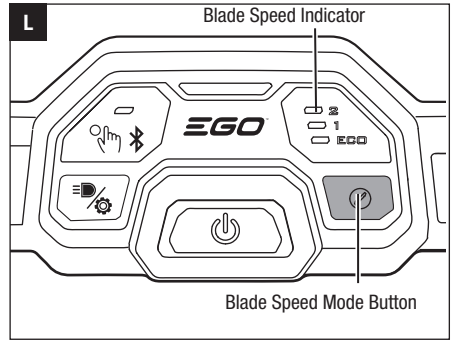
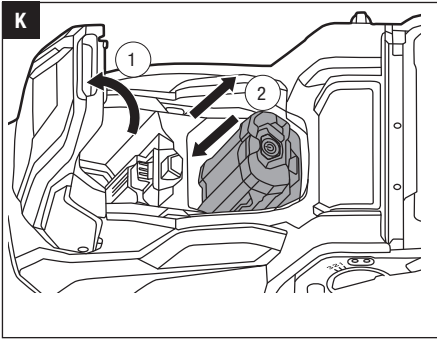


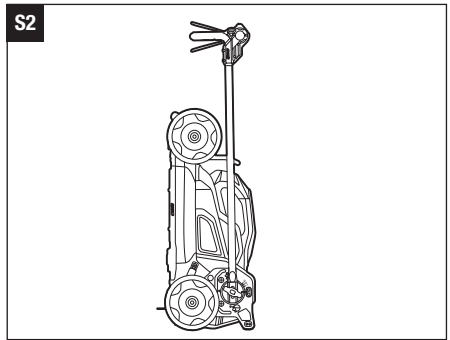
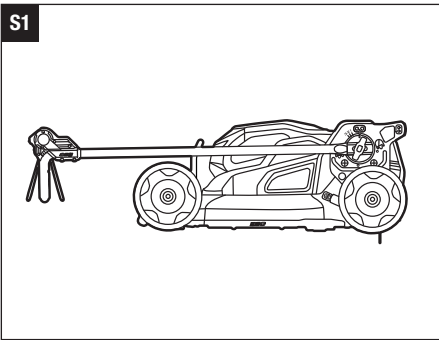
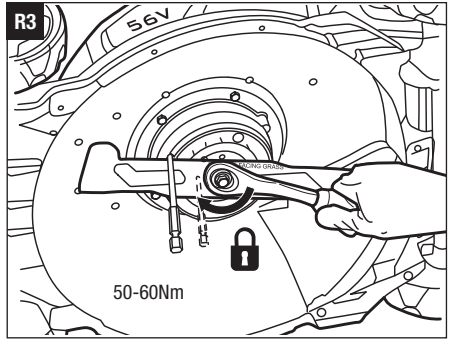
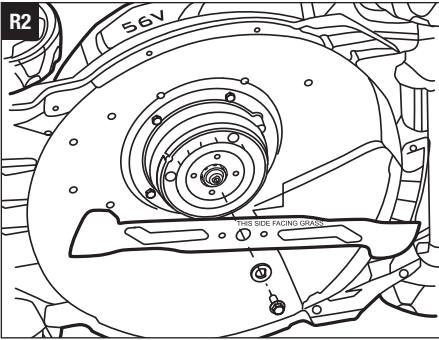
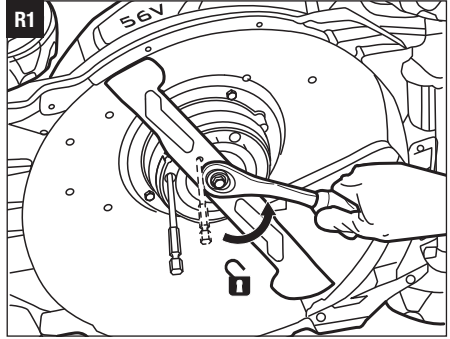
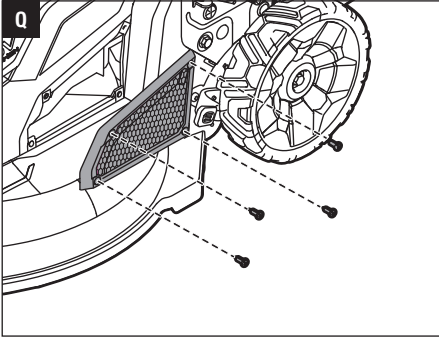
J1



J2







READ ALL INSTRUCTIONS!



READ OPERATOR'S MANUAL

WARNING: To ensure safety and reliability, all repairs and replacements should be performed by a qualified service technician.

Intended use & Foreseeable misuse: The product is intended for mowing grass in domestic gardens only. It must not be used to mow unusually high, dry or wet grass, e.g. pasture grass; or to shred leaves. The product is to be used only for its prescribed purpose. Any other use is deemed to be a case of misuse.

SAFETY SYMBOLS

The purpose of safety symbols is to attract your attention to possible dangers. The safety symbols and the explanations with them deserve your careful attention and understanding. The symbol warnings do not, by themselves, eliminate any danger. The instructions and warnings they give are no substitutes for proper accident prevention measures.

WARNING: Be sure to read and understand all safety instructions in this Operator's Manual, including all safety alert symbols such as "**DANGER**," "**WARNING**," and "**CAUTION**" before using this product. Failure to follow all instructions listed below may result in electric shock, fire, and/or serious personal injury.

SYMBOL MEANING

SAFETY ALERT SYMBOL: Indicates **DANGER**, **WARNING**, or **CAUTION**. May be used in conjunction with other symbols or pictographs.

WARNING: The operation of any machines can result in foreign objects being thrown into your eyes, which can result in severe eye damage. Before beginning power tool operation, always wear safety goggles or safety glasses with side shields and a full face shield when needed. We recommend a Wide Vision Safety Mask for use over eyeglasses or standard safety glasses with side shields.

SAFETY INSTRUCTIONS

This page depicts and describes safety symbols that may appear on this product. Read, understand, and follow all instructions on the machine before attempting to assemble and operate it.

	Safety Alert	Indicates a potential personal injury hazard.
	Read Operator's Manual	To reduce the risk of injury, user must read and understand operator's manual.
	Wear protective glasses and hearing protection	Always wear hearing protection, safety goggles or safety glasses with side shields and a full face shield when operating this product.
	Keep Bystanders Away	Ensure that other people and pets remain at least 30m away from the mower when it is in use and pay attention to the risk of injury caused by flying debris.
	Keep hand away	Keep hand away.
	Keep hands and feet away from the blades	Keep hands and feet away from the blades.
	WEEE	Waste electrical products should not be disposed of with household waste. Take to an authorized recycler.
	Noise	Guaranteed sound power level.
	Disconnect battery before maintenance	Switch off and remove detachable battery pack (or disabling device) before adjusting or cleaning.
	CAUTION	Do not stare at operating lamp.
	Regulatory Compliance Mark	This product complies with applicable Australian standards.

IPX5	Ingress Protection (IP) Rating	Protected against water jets
V	Volt	Voltage
	Direct Current	Type or a characteristic of current
mm	Millimeter	Length or size
cm	Centimeter	Length or size
kg	Kilogram	Weight
°C	Degrees Celsius	Temperature

- **Avoid body contact with earthed or grounded surfaces, such as pipes, radiators, ranges and refrigerators.** There is an increased risk of electric shock if your body is earthed or grounded.
- **Do not operate the lawn mower in rain or wet conditions.** This may increase the risk of electric shock.
- **Do not abuse the cord. Never use the cord for carrying, pulling or unplugging the machine. Keep cord away from heat, oil, sharp edges or moving parts.** Damaged or entangled cords increase the risk of electric shock.
- **When operating a machine outdoors, use an extension cord suitable for outdoor use.** Use of a cord suitable for outdoor use reduces the risk of electric shock.
- **If operating a machine in a damp location is unavoidable, use a ground fault circuit interrupter (GFCI) protected supply.** Use of a GFCI reduces the risk of electric shock.

GENERAL MACHINE SAFETY WARNINGS

⚠ WARNING: READ ALL SAFETY WARNINGS, INSTRUCTIONS, ILLUSTRATIONS AND SPECIFICATIONS PROVIDED WITH THIS MACHINE. Failure to follow all instructions listed below may result in electric shock, fire and/or serious injury.

SAVE ALL WARNINGS AND INSTRUCTIONS FOR FUTURE REFERENCE.

The term “machine” in the warnings refers to your mains-operated (corded) machine or battery-operated (cordless) machine.

WORK AREA SAFETY

- **Keep work area clean and well lit.** Cluttered or dark areas invite accidents.
- **Do not operate machines in explosive atmospheres, such as in the presence of flammable liquids, gases or dust.** Machines create sparks which may ignite the dust or fumes.
- **Keep children and bystanders away while operating a machine.** Distractions can cause you to lose control.

ELECTRICAL SAFETY

- **Machine plugs must match the outlet. Never modify the plug in any way. Do not use any adapter plugs with earthed (grounded) machines.** Unmodified plugs and matching outlets will reduce risk of electric shock.

PERSONAL SAFETY

- **Stay alert, watch what you are doing and use common sense when operating a machine. Do not use a machine while you are tired or under the influence of drugs, alcohol or medication.** A moment of inattention while operating machines may result in serious personal injury.
- **Use personal protective equipment. Always wear eye protection.** Protective equipment such as a dust mask, non-skid safety shoes, hard hat or hearing protection used for appropriate conditions will reduce personal injuries.
- **Prevent unintentional starting. Ensure the switch is in the off-position before connecting to power source and/or battery pack, picking up or carrying the machine.** Carrying machines with your finger on the switch or energizing machines that have the switch on invites accidents.
- **Remove any adjusting key or wrench before turning the machine on.** A wrench or a key left attached to a rotating part of the machine may result in personal injury.
- **Do not overreach. Keep proper footing and balance at all times.** This enables better control of the machine in unexpected situations.
- **Dress properly. Do not wear loose clothing or jewelry. Keep your hair and clothing away from moving parts.** Loose clothes, jewelry or long hair can be caught in moving parts.

- **If devices are provided for the connection of dust extraction and collection facilities, ensure these are connected and properly used.** Use of dust collection can reduce dust-related hazards.
- **Do not let familiarity gained from frequent use of machines allow you to become complacent and ignore machine safety principles.** A careless action can cause severe injury within a fraction of a second.

MACHINE USE AND CARE

- **Do not force the machine. Use the correct machine for your application.** The correct machine will do the job better and safer at the rate for which it was designed.
- **Do not use the machine if the switch does not turn it on and off.** Any machine that cannot be controlled with the switch is dangerous and must be repaired.
- **Disconnect the plug from the power source and/or remove the battery pack, if detachable, from the machine before making any adjustments, changing accessories, or storing machines.** Such preventive safety measures reduce the risk of starting the machine accidentally.
- **Store idle machines out of the reach of children and do not allow persons unfamiliar with the machine or these instructions to operate the machine.** Machines are dangerous in the hands of untrained users.
- **Maintain machines and accessories. Check for misalignment or binding of moving parts, breakage of parts and any other condition that may affect the machine's operation. If damaged, have the machine repaired before use.** Many accidents are caused by poorly maintained machines.
- **Keep cutting machines sharp and clean.** Properly maintained cutting machines with sharp cutting edges are less likely to bind and are easier to control.
- **Use the machine, accessories and machine bits etc. in accordance with these instructions, taking into account the working conditions and the work to be performed.** Use of the machine for operations different from those intended could result in a hazardous situation.
- **Keep handles and grasping surfaces dry, clean and free from oil and grease.** Slippery handles and grasping surfaces do not allow for safe handling and control of the machine in unexpected situations.

BATTERY MACHINE USE AND CARE

- **Recharge only with the charger specified by the manufacturer.** A charger that is suitable for one type of battery pack may create a risk of fire when used with another battery pack.
- **Use machines only with specifically designated battery packs.** Use of any other battery packs may create a risk of injury and fire.
- **When battery pack is not in use, keep it away from other metal objects, like paper clips, coins, keys, nails, screws or other small metal objects, that can make a connection from one terminal to another.** Shorting the battery terminals together may cause burns or a fire.
- **Under abusive conditions, liquid may be ejected from the battery; avoid contact. If contact accidentally occurs, flush with water. If liquid contacts eyes, additionally seek medical help.** Liquid ejected from the battery may cause irritation or burns.
- **Do not use a battery pack or machine that is damaged or modified.** Damaged or modified batteries may exhibit unpredictable behavior resulting in fire, explosion or risk of injury.
- **Do not expose a battery pack or machine to fire or excessive temperature.** Exposure to fire or temperature above 130 °C may cause explosion.
- **Follow all charging instructions and do not charge the battery pack or machine outside the temperature range specified in the instructions.** Charging improperly or at temperatures outside the specified range may damage the battery and increase the risk of fire.

SERVICE

- **Have your machine serviced by a qualified repair person using only identical replacement parts.** This will ensure that the safety of the machine is maintained.
- **Never service damaged battery packs.** Service of battery packs should only be performed by the manufacturer or authorized service providers.

LAWN MOWER SAFETY WARNINGS

- **Do not use the lawn mower in bad weather conditions, especially when there is a risk of lightning.** This decreases the risk of being struck by lightning.

- **Thoroughly inspect the area for wildlife where the lawn mower is to be used.** Wildlife may be injured by the lawnmower during operation.
- **Thoroughly inspect the area where the lawn mower is to be used and remove all stones, sticks, wires, bones, and other foreign objects.** Thrown objects can cause personal injury.
- **Before using the lawn mower, always visually inspect to see that the blade and the blade assembly are not worn or damaged.** Worn or damaged parts increase the risk of injury.
- **Check the grass catcher frequently for wear or deterioration.** A worn or damaged grass catcher may increase the risk of personal injury.
- **Keep guards in place. Guards must be in working order and be properly mounted.** A guard that is loose, damaged, or is not functioning correctly may result in personal injury.
- **Keep all cooling air inlets clear of debris.** Blocked air inlets and debris may result in overheating or risk of fire.
- **While operating the lawn mower, always wear non-slip and protective footwear. Do not operate the lawn mower when barefoot or wearing open sandals.** This reduces the chance of injury to the feet from contact with the moving blade.
- **While operating the lawn mower, always wear long trousers.** Exposed skin increases the likelihood of injury from thrown objects.
- **Do not operate the lawnmower in wet grass. Walk, never run.** This reduces the risk of slipping and falling which may result in personal injury.
- **Do not operate the lawnmower on excessively steep slopes.** This reduces the risk of loss of control, slipping and falling which may result in personal injury.
- **When working on slopes, always be sure of your footing, always work across the face of slopes, never up or down and exercise extreme caution when changing direction.** This reduces the risk of loss of control, slipping and falling which may result in personal injury.
- **Use extreme caution when reversing or pulling the lawn mower towards you. Always be aware of your surroundings.** This reduces the risk of tripping during operation.
- **Do not touch blades and other hazardous moving parts while they are still in motion.** This reduces the risk of injury from moving parts.
- **When clearing jammed material or cleaning the lawnmower, make sure all power switches are off and the battery pack is disconnected.** Unexpected operation of the lawnmower may result in serious personal injury.

ADDITIONAL RULES FOR LAWN MOWER

- The user is responsible for accidents or hazards occurring to other people or their property.
- Be familiar with the controls and the proper use of the machine.
- Before using, always visually inspect to see that the blade and blade bolt are not worn or damaged. Replace worn or damaged blade and bolt in sets to preserve balance.
- **Keep all nuts, bolts and screws tight to be sure the product is in safe working condition.**
- Check the functioning of the machine before each use and, in case of a defect, have it repaired immediately by a qualified person; never open the machine yourself.
- Never operate the machine with a defective rear guard or defective grass bag.
- When operating the machine without grass bag, ensure that the rear guard is in closed position (**risk of injury caused by rotating cutting blade**)
- Always switch off the machine, remove battery pack(s), and ensure that all moving parts have come to a complete standstill.
 - whenever leaving the machine unattended
 - before clearing jammed material
 - before checking, cleaning or working on the machine
 - after striking a foreign object
 - whenever the machine starts vibrating abnormally
- **Always keep hands and feet away from rotating parts.**
- **Keep away from the discharge opening at all times.**
- Switch on the motor according to instructions and with feet well away from the cutting blade.
- Never mow in the direct vicinity of persons (especially children) and animals.
- Stop the cutting blade if the product has to be tilted for transportation when crossing surfaces other than grass, and when transporting the product to and from the area to be used.

- Do not tilt the product when switching on the motor, except if the product has to be tilted for starting. In this case, do not tilt it more than absolutely necessary and lift only the part, which is away from the operator.
- Be careful during adjustment of the product to prevent entrapment of the fingers between moving blades and fixed parts of the product.
- Always allow the machine to cool down before storing.
- When servicing the blade be aware that, even though the power source is switched off, the blade can still be moved.
- Check for blockage of the cutting blade
 - To prevent blockage, keep the cutting blade and mower deck clean. Remove grass clippings, leaves, dirt and any other accumulated debris before and after each use.
 - When blockage happens, stop the mower and remove the battery pack(s), then remove any build-up of grass and leaves on or around the drive shaft and motor fan (do not use water). Wipe the mower clean with a damp cloth.
- Empty the grass bag before storage.
- Never use the machine when handle cord is damaged, have it replaced by a qualified person.
- Use only with EGO's battery packs and chargers listed below:

BATTERY PACK	CHARGER
BA1400, BA1400T, BA2800, BA2800T, BA4200, BA4200T, BA5600T, BA6720T	CH2100E, CH5500E, CH7000E

- **SAVE THESE INSTRUCTIONS.** Refer to them frequently and use them to instruct others who may use this tool. If you loan this tool to someone else, also loan these instructions to them to prevent misuse of the product and possible injury.

SAVE THESE INSTRUCTIONS!

SPECIFICATIONS

Voltage	56 V
Blade Speed Mode	2
	1
	ECO
Cutting-Height Positions	8
Cutting-Height Setting	20 mm/31 mm/40 mm/ 51 mm/64 mm/78 mm/ 92 mm/105 mm
Cutting Width	53 cm
Grass Bag Volume	85 L
Mower Weight (Without battery pack and grass bag)	46 kg
Blade Model	AB5301
Recommended Operating Temperature	0°C – 40°C
Recommended Storage Temperature	-20°C – 70°C
Guaranteed sound power level L_{WA} (measured according to 2000/14/EC)	95 dB(A)

PACKING LIST

Part name	Quantity
Lawn Mower	1
Grass Bag	1
Grass-bag Frame	1
Mulching insert (factory-installed in the mower)	1
Wing Bolt (factory-installed in the mower)	2
Operator's Manual	1

DESCRIPTION

KNOW YOUR MOWER (Fig. A1 & A2)

1. Self-propel Trigger
2. Handle
3. Blade Rotation Trigger
4. Rear Discharge Door
5. Locking Gear

6. Battery Compartment Cover
7. LED Headlights
8. Middle Bumper (Lift Handle)
9. Front Bumper
10. Front Cutting-height Adjustment Lever
11. Front Wheel
12. Mower Deck
13. Side Shield
14. Air Intake
15. Rear Wheel
16. Rear Cutting-height Adjustment Lever
17. Wing Bolt
18. Handle Mounting Plate
19. Bracket
20. Grass Bag
21. Trailing Shield
22. Mulching Insert
- 23*. Side Discharge Chute
24. Bluetooth® Indicator
25. Dashboard
26. Mower Status Indicator
27. Blade Speed Indicator
28. Blade Speed Mode Button
29. Power Button
30. LED Headlights Button (Bluetooth® Button)
31. Self-Propel Speed Dial

*SOLD SEPERATELY

ASSEMBLY

⚠ WARNING: If any parts are damaged or missing, do not operate this product until the parts are replaced. Use of this product with damaged or missing parts could result in serious personal injury.

⚠ WARNING: To prevent accidental starting that could cause serious personal injury, always remove the battery pack(s) from the machine when assembling parts.

⚠ WARNING: Do not attempt to modify this machine or create accessories not recommended for use with this mower. Any such alteration or modification is misuse and could result in a hazardous condition leading to serious injury.

UNPACKING

This product requires assembly.

- Remove all the accessories from the carton.

⚠ CAUTION: Heavy object. Two persons are required to lift the mower.

- One person should grasp the middle bumper/lift handle and the other person should grasp two wing bolts to carefully lift the mower out of the carton.

INSTALLING THE HANDLE

The lawn mower is shipped with the handle partially assembled.

⚠ WARNING: Do not attempt to start the lawn mower until the handle is properly and securely installed and unfolded. Use caution to avoid pinching fingers and cable between the parts.

1. Unscrew and put aside both wing bolts.
2. Move the handle forward until the locking gear on the handle assembly is facing the gear on the mower (Fig. B1).
3. Align the marks on the locking gear and handle mounting plate as shown in Fig. B2, then insert and finger-tighten the two wing bolts.

UNFOLDING AND ADJUSTING THE HANDLE (FIG. C)

⚠ WARNING: Be sure not to pinch, kink or stress the cable when folding or unfolding the handle. Damaging the cable could impact the activation and operation of the lawn mower and result in an unsafe operating condition.

⚠ WARNING: Do not attempt to start the mower and self-propel system until the handle has been locked at one of the three preset operating positions (Upper Operating Position 3, Middle Operating Position 2, and Lower Operating Position 1).

1. Loosen the wing bolts on both sides, ensure that the two gears are fully loose but NOT separated.
2. Turn the handle upward until the arrow mark on the locking gear aligns with one of the three operating positions on the handle mounting plate.
3. Tighten the two bolts, make sure the two gears are fully engaged and the handle is securely fixed.

FOLDING THE HANDLE (FIG. D)

⚠ WARNING: Be sure not to pinch, kink or stress the cable when folding or unfolding the handle. Damaging the cable could impact the activation and operation of the lawn mower and result in an unsafe operating condition.

1. Loosen the wing bolts on both sides, ensure the two gears are fully loose but NOT separated.
2. Turn the handle downward until the handle seats in the storage position.
3. Align the arrow mark on the locking gear with the storage position mark on handle mounting plate.
4. Tighten the two wing bolts, make sure the two gears are fully engaged and the handle is securely fixed.

ASSEMBLING THE GRASS BAG (FIG. E1, E2, E3)

Check the grass bag before assembling, to make sure that there is no damage.

Assemble the grass bag as illustrated.

ATTACHING/REMOVING THE MULCHING INSERT

Install the mulching insert into the mower as shown in Fig. F.

⚠ DANGER: The machine can throw grass clippings and other objects through an opening in the machine housing. Objects thrown with enough force could cause serious personal injury or death to you or to bystanders.

Never operate the mower without either the mulching insert, the grass bag, or the side-discharge chute properly installed.

⚠ WARNING: The mulching insert must be removed when installing the grass bag or side-discharge chute. The mulching insert must be re-installed when the grass bag (or side-discharge chute) is removed.

ATTACHING/REMOVING THE GRASS BAG

Install the grass bag into the mower as shown in Fig. G.

⚠ WARNING: Under normal usage, the grass bag material is subject to wear. To reduce the risk of injury, frequently inspect the grass bag and replace the bag if there are any signs of wear or deterioration. Use only grass bags manufactured for this mower.

⚠ WARNING: The grass bag must be removed in order to install and use the side-discharge chute or mulching insert.

ATTACHING/REMOVING THE SIDE-DISCHARGE CHUTE (SOLD SEPARATELY)

Install the side-discharge chute into the mower as shown in Fig. H.

⚠ WARNING: The side-discharge chute must be removed in order to install and use the grass bag or mulching insert.

CUTTING-HEIGHT ADJUSTMENT (FIG. J1 & J2)

⚠ WARNING: Keep your feet away from the deck when adjusting the cutting height.

The mower can be set to 8 cutting heights between 20 mm and 105 mm. A marking indicates the selected cutting height.

This mower allows you to adjust the cutting height of the front and the rear of the mower individually. Choose the proper cutting height according to the type and condition of the grass to be cut.

1. Switch off the lawn mower and wait for the cutting blade to come to a complete stop.
2. Remove the battery pack(s).
3. Pull the front or rear cutting height adjustment lever out of the detent and set it to the desired position.

ATTACHING/DETACHING THE BATTERY PACKS (FIG. K)

NOTE: Charge the battery pack before first use.

NOTE: The mower has two active battery ports. It can operate using one or two battery packs.

■ To Attach

1. Open the battery compartment cover and push the battery pack into the battery compartment until you hear a “click”.
2. Repeat the process to install the second battery pack.

■ To Detach

Depress the battery-release button in the battery compartment.

NOTICE: Make sure that the latch on the mower snaps into place and that the battery pack(s) is secured to the mower before starting operation.

SELECTING BLADE SPEED MODE (FIG. L)

- Mode 2 is high blade speed mode for high-lift performance to improve suction force and cutting performance.

- Mode 1 is the best balance between performance and runtime.
- ECO mode provides the lowest noise level and longest runtime from your battery pack(s).

NOTE: The default blade speed mode is mode 1.

OPERATION

STARTING/STOPPING THE MOWER

⚠ WARNING: The operation of any lawn mower can result in foreign objects being thrown into your or others' eyes, which can damage eyes severely. Always wear safety glasses while operating the mower or while performing any adjustments or repairs on the mower.

⚠ WARNING: The blade will continue to rotate for a few seconds after the mower is turned off. Allow the motor/blade to stop rotating before starting it again. Do not rapidly turn the mower off and on.

⚠ WARNING: Stop the blade if the lawnmower has to be tilted for transportation when crossing surfaces other than grass and when transporting the lawnmower to and from the area to be mowed.

⚠ WARNING: Do not tilt the lawn mower when starting switching on the motor, except if the lawn mower has to be tilted for starting. In this case, do not tilt it more than absolutely necessary and lift only the part which is away from the operator.

Before using, always visually inspect to see that the blade and blade bolt are not worn or damaged. Replace worn or damaged blade and bolt in sets to preserve balance.

Check for blockage of the cutting blade

- To prevent blockage, keep the cutting blade and mower deck clean. Remove grass clippings, leaves, dirt and any other accumulated debris before and after each use.
- When blockage happens, stop the mower and remove the battery pack(s), then remove any build-up of grass and leaves on or around the drive shaft and motor fan (do not use water). Wipe the mower clean with a damp cloth.

⚠ CAUTION: Do not attempt to override the operation of the power button and blade rotation trigger.

NOTE: The motor cannot be started unless the handle is

locked at one of the three operating positions.

To start the mower (Fig. M1 & M2)

1. Attach the battery pack(s) to the mower and close the battery compartment cover.
2. Press the power button to illuminate the dashboard, and the mower status indicator along with the blade speed indicator 1 will light up.
3. Press the blade speed mode button to select the desired speed.
4. Press and hold the power button.
5. With the power button pressed, pull the blade rotation trigger to meet the handle, and release the power button.

To stop the mower (Fig. M3)

1. Fully release the blade rotation trigger.
2. The electric brake in the Automatic Braking Mechanism will stop the blade rotation within 3 seconds of the blade rotation trigger release.

VARIABLE-SPEED SELF-PROPEL SYSTEM (FIG. N)

The mower is equipped with variable-speed, self-propel capability. This self-propel system is independent from the blade rotation.

NOTE: The self-propel system cannot be started unless the handle is locked into one of the three operating positions.

To operate the self-propel system without blade rotation

1. Press the power button to illuminate the dashboard.
2. Slightly rotate the self-propel speed-control knob forward until a click can be heard, then pull the self-propel trigger to meet the handle to start the self-propel function.

To turn the self-propel off, release the self-propel trigger.

LED HEADLIGHTS (FIG. P)

To turn on the headlights, press the headlights button. The headlights provide bright light in front of the mower.

To turn off the headlights, press the button again.

MOWER STATUS INDICATOR

The mower status indicator on the dashboard displays the working status of the mower.

Indicator	Description	Meaning	Action
	Solid green	Mower is working properly.	None required.
	Flashing green	The handle is not locked in operating position.	Stop the mower and make sure that the handle is locked in one of the operating positions.
	Flashing red	Low battery charge.	Stop the mower and charge the battery pack(s).
	Solid orange	Mower is overheated.	Release the blade rotation trigger, wait until the mower temperature drops below 80°C. See “ MOWER HIGH-TEMPERATURE PROTECTION ” below.
	Flashing orange	The mower is overloaded.	<ol style="list-style-type: none"> 1. Remove the battery pack(s), then check if grass has accumulated beneath the deck. Clean if necessary. 2. Slow down your stride when cutting. 3. Raise the cutting height. 4. If above solutions do not work, please contact EGO Service Center. See “ MOWER OVERLOAD PROTECTION ” below.
	Flashing red/green alternately	Mower electronics error.	Contact EGO Service Center.

MOWER HIGH-TEMPERATURE PROTECTION

If the mower temperature exceeds 90°C during operation, the temperature-protection circuit will immediately shut off the mower to prevent overheating damage.

The mower status indicator will glow solid orange. Release the blade rotation trigger and wait until the overheated mower cools down and the status indicator turns green, then restart the mower.

MOWER OVERLOAD PROTECTION

To prevent overload conditions, do not try to remove too much grass at one time. Slow down your stride or raise the cut height.

Your mower has built-in overload circuit protection. When the mower is overloaded, the motor will stop and the mower status indicator on the dashboard will flash orange.

MAINTENANCE

⚠ WARNING: To avoid serious personal injury, always switch off the mower, remove the battery pack(s), and ensure that all moving parts have come to a complete standstill, before cleaning, performing any maintenance or transporting the mower.

⚠ WARNING: Stop the machine, and remove the battery packs to make sure that all moving parts have come to a complete stop after striking a foreign object and to inspect the machine for damage and make repairs before restarting and operating the machine.

⚠ WARNING: Stop the machine, and remove the battery packs to make sure that all moving parts have come to a complete stop, if the machine starts to vibrate abnormally, and then to immediately inspect for damage, replace or repair any damaged parts and to check for and tighten any loose parts.

⚠ WARNING: When servicing, use only identical replacement parts. Use of any other parts may create a hazard or cause product damage. To ensure safety and reliability, all repairs should be performed by a qualified service technician.

CLEANING THE MOWER

The underside of mower deck should be cleaned after each use, as grass clippings, leaves, dirt and other debris will accumulate.

Remove any buildup of grass and leaves on or around the drive shaft and motor fan (do not use water). Wipe the mower clean with a damp cloth.

Cleaning the Air Intake (Fig. Q)

1. Remove the air intake net cover by removing the four screws.
2. Clean the inside of the air intake and net cover with compressed air.

REPLACING THE BLADE (FIG. R1, R2, R3)

⚠ WARNING: Always remove the battery pack(s) and grass bag.

⚠ WARNING: Always wear protective gloves.

NOTICE: Thoroughly clean the drive shaft area and the underside of the machine before installing the blade.

1. Turn the mower upside down

2. Remove/install the blade with a torque wrench and two metal rods as aid as illustrated.
3. The printed blade side towards outside.

STORING THE MOWER (FIG. S1 & S2)

1. Remove the battery pack(s) from the mower.
2. Empty the grass bag and clean the mower.
3. For saving substantial storage space fold the product handle and store the product as illustrated.

NOTICE: Ensure that the handle cord is not trapped when folding/unfolding the product handle (do not drop the handle).

4. Do not place other objects on top of the mower when stored

⚠ WARNING: If the mower tips over from the upright position, mower damage or personal injury may result. Always keep the mower stable and out of the reach of children when it is in the upright position. If possible, lay it flat for storage.

PROTECTING THE ENVIRONMENT



Do not dispose of electrical appliances as unsorted municipal waste, use separate collection facilities.

Contact your local government for information regarding the collection systems available.

If electrical appliances are disposed of in landfills or dumps, hazardous substances can leak into the groundwater and get into the food chain, damaging your health and well-being.

TROUBLESHOOTING

PROBLEM	CAUSE	SOLUTION
The mower or self-propel function fails to start.	<ul style="list-style-type: none"> ■ The battery pack(s) charge is depleted. 	<ul style="list-style-type: none"> ■ Charge the battery pack.
	<ul style="list-style-type: none"> ■ The battery pack(s) is not properly inserted into the battery compartment. 	<ul style="list-style-type: none"> ■ Insert the battery pack(s) into battery compartment until you hear a "click".
	<ul style="list-style-type: none"> ■ The handle is not locked in an operating position and the mower status indicator flashes green. 	<ul style="list-style-type: none"> ■ Stop the mower and make sure that the handle is locked in one of the operating positions.
	<ul style="list-style-type: none"> ■ The mower deck is clogged with grass and debris. 	<ul style="list-style-type: none"> ■ Clean the mower deck and ensure that the blade has freedom of movement
The mower cuts unevenly.	<ul style="list-style-type: none"> ■ The blade is dull. 	<ul style="list-style-type: none"> ■ Sharpen or replace the blade.
	<ul style="list-style-type: none"> ■ The grass-cutting height is not set properly. 	<ul style="list-style-type: none"> ■ Move the deck height to a higher setting.
	<ul style="list-style-type: none"> ■ The blade is installed incorrectly. 	<ul style="list-style-type: none"> ■ Re-install the blade, following the section "REPLACING THE BLADE" in this manual.
	<ul style="list-style-type: none"> ■ The blade speed mode is not set properly. 	<ul style="list-style-type: none"> ■ Select a proper blade speed mode.
The mower does not mulch properly.	<ul style="list-style-type: none"> ■ Wet grass clippings are sticking to the underside of the deck. 	<ul style="list-style-type: none"> ■ Wait until the grass dries before mowing.
	<ul style="list-style-type: none"> ■ The mower is set to cut too much grass at once. 	<ul style="list-style-type: none"> ■ Raise the deck to a higher cutting-height setting.
	<ul style="list-style-type: none"> ■ The blade speed mode is not set properly. 	<ul style="list-style-type: none"> ■ Select a mode 1 or ECO blade speed mode.

The mower unexpectedly stops while mowing.	<ul style="list-style-type: none"> ■ The battery pack(s) charge is depleted. 	<ul style="list-style-type: none"> ■ Charge the battery pack.
	<ul style="list-style-type: none"> ■ Mower is overloaded and the mower status indicator flashes orange. 	<ul style="list-style-type: none"> ■ Check if grass has accumulated beneath the deck and clean if needed. Raise the cutting height or slow down the mowing.
	<ul style="list-style-type: none"> ■ Mower deck is clogged with grass and debris. 	<ul style="list-style-type: none"> ■ Unclog the mower deck. Raise the cutting height and/or cut a narrower swath.
	<ul style="list-style-type: none"> ■ The battery pack(s) or mower circuitry is too hot. If the battery pack is overheated the mower status indicator goes off. If the mower is overheated the mower status indicator glow solid orange. 	<ul style="list-style-type: none"> ■ Allow the battery pack(s) or mower to cool down.
	<ul style="list-style-type: none"> ■ The blade speed mode is not set properly. 	<ul style="list-style-type: none"> ■ Clean the air intake, following the section "Cleaning the Air Intake". ■ Select the blade speed to a lower setting.
	<ul style="list-style-type: none"> ■ The mower electronics error and the mower status indicator flashes red/green alternately. 	<ul style="list-style-type: none"> ■ Contact EGO Service Center.
There is excessive vibration.	<ul style="list-style-type: none"> ■ The cutting blade is loose. 	<ul style="list-style-type: none"> ■ Tighten the blade bolt.
	<ul style="list-style-type: none"> ■ The cutting blade is unbalanced. 	<ul style="list-style-type: none"> ■ Contact the EGO Service Center.
	<ul style="list-style-type: none"> ■ The cutting blade is bent. 	<ul style="list-style-type: none"> ■ Replace the blade.
	<ul style="list-style-type: none"> ■ The motor shaft is bent. 	<ul style="list-style-type: none"> ■ Contact the EGO Service Center.
	<ul style="list-style-type: none"> ■ The mower is set to cut too much grass at once. 	<ul style="list-style-type: none"> ■ Raise the deck to a higher cutting-height setting.
	<ul style="list-style-type: none"> ■ The blade speed mode is not set properly. 	<ul style="list-style-type: none"> ■ Set the blade speed to a lower setting.
The motor works but the blade doesn't cut the grass.	<ul style="list-style-type: none"> ■ The blade is not tightened to the required torque. 	<ul style="list-style-type: none"> ■ Re-tighten the blade. The recommended torque for the blade bolt is 50-60 Nm.

WARRANTY POLICY

For warranty service or to make a claim, please visit our Warranty Portal at egopowerplus.com.au/warranty-policy, alternatively you can contact EGO customer service via the following: **Australia 1300 000 346, New Zealand 0508 000 346.**

Chervon Australia Pty Ltd ABN 36 165 077 501 and Chervon New Zealand Subsidiary Ltd NZBN 9429049277616 (“Chervon”) warrants to the original domestic purchaser that this product will be free from defects in materials and workmanship for 5 years from date of purchase, and any battery or charger will be free from defects in materials and workmanship for 3 years from date of purchase.

Warranty for commercial use is 1 year on all product, battery and chargers. The Commercial Range Product Warranty for commercial users is 2 years for commercial tools, commercial batteries and commercial chargers. Please refer to product warranty table below for further clarification.

The warranty period for routine accessories, consumables or maintenance parts, such as, but not limited to, ride-on mower seat, wheels, tyres, anti-scalp wheels, brake discs, blades, trimmer heads, chain bars, saw chains, augers, blower nozzles, and all other EGO accessories is 90 days for residential purpose, 30 days for industrial, professional or commercial purpose. These parts are covered for 90/30 days from manufacture defects in normal working conditions.

To make a claim, call 1300 000 346 for AU or 0508 000 346 for NZ or lodge a claim via our portal link above. Any handling and transportation costs (and other expenses incurred in claiming this warranty) are not covered by this warranty and will not be borne by Chervon. The replacement product or part or repaired product will be made available for your collection at an address nominated by Chervon. Where a valid warranty claim is made, Chervon will replace the defective product or repair the fault. Where the product is repaired, Chervon may use refurbished parts. This warranty does not cover normal wear and tear, misuse or abuse (including overloading of the product beyond capacity and exposure to water or rain), accidents, neglect or lack of proper installation, and improper maintenance or storage. This warranty does not cover the damage resulting from modification, alteration or unauthorised repair. This warranty does not cover normal deterioration of the exterior finish, including but not limited to scratches, dents, paint chips, or to any corrosion or discolouring by heat, abrasive and chemical cleaners. This warranty is void if the product has been used for rental purpose. This warranty may also be further limited or voided as specifically detailed in the product Manual. Chervon has no other liability under this warranty. The benefits to you given by this warranty are in addition to other rights and remedies imposed by State and Federal legislation that cannot be excluded. Our goods come with guarantees that cannot be excluded under the Australian Consumer Law and the New Zealand Consumer Guarantee Act 1993. You are entitled to a replacement or refund for a major failure and compensation for any other reasonably foreseeable loss or damage. You are also entitled to have the goods repaired or replaced if the goods fail to be of acceptable quality and the failure does not amount to a major failure. The warranty applies to the original purchaser and applies only to purchases made from authorised EGO Dealers, which can be confirmed on the website store locator. For avoidance of doubt, 3rd party online stores such as eBay, Gumtree, Amazon, etc. are excluded.

Chervon Australia Pty Ltd, Unit 14, 5 Kelletts Rd, Rowville, VIC. 3178.

Ph Australia; 1300 000 346. Email: support@egopowerplus.com.au

Chervon New Zealand Subsidiary Ltd, 4th Floor, Smith & Caughey Building, 253 Queen St, Auckland, 1141.

Ph New Zealand; 0508 000 346. Email: support@egopowerplus.co.nz



PRODUCT OR MODEL #	LIMITED WARRANTY FOR CONSUMER USE (PERSONAL, HOUSEHOLD USE)	LIMITED WARRANTY FOR PROFESSIONAL USE (ANY COMMERCIAL, AGRICULTURAL, INSTITUTIONAL, OR INCOME-PRODUCING USE)
EGO Power+ Outdoor Power Equipment and Portable Power Products	5 years	1 year
EGO Power+ Battery Packs and Chargers	3 years	1 year
Specific warranties apply to the products below:		
Commercial Tools*	5 years	2 years
Commercial Batteries & Chargers**	3 years	2 years
Mini Bike (MB1000)	1 Year	N/A
Accessories / Consumables	90 Days	30 Days

*Commercial Tools include: BCX3800, BCX4500, BHX1001, CSX3000, CSX5000, EDX2000, HTX5300-P, HTX5300-PA, HTX7500, LBPX8000, LBX1000, LBX6000, LMX5300SP, PPX1000, PTX5100, PSX2500, PSX2510, STX3800, STX4500.

**Commercial Batteries & Chargers include: BAX1501, CHU6000E, CHX5500E, HC2240T, PGX1400PB, PGX1600E-H, PGX3000D.