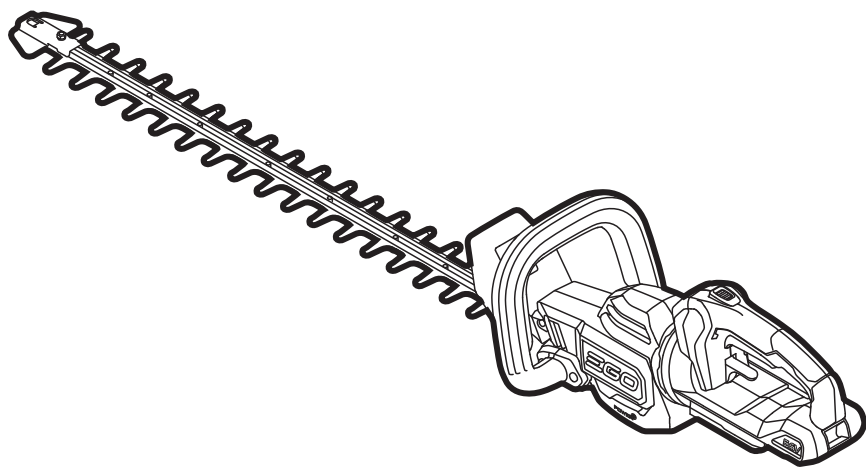


EGO™

POWER⁺ HEDGE TRIMMER

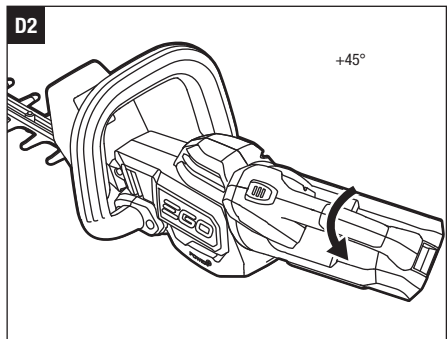
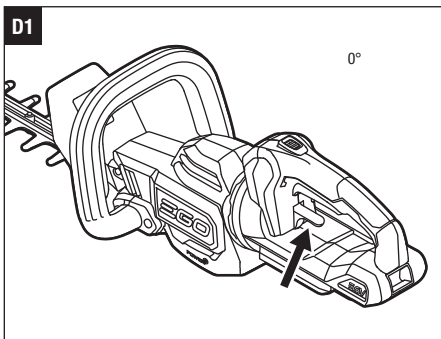
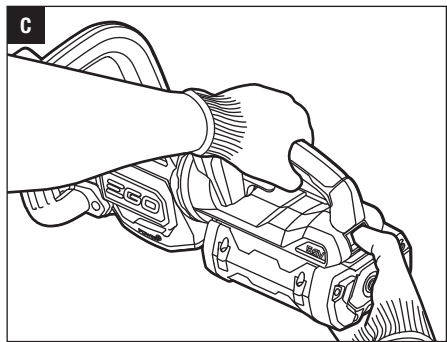
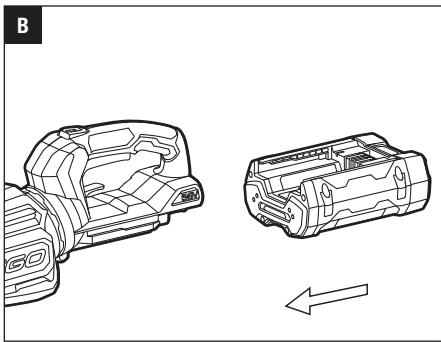
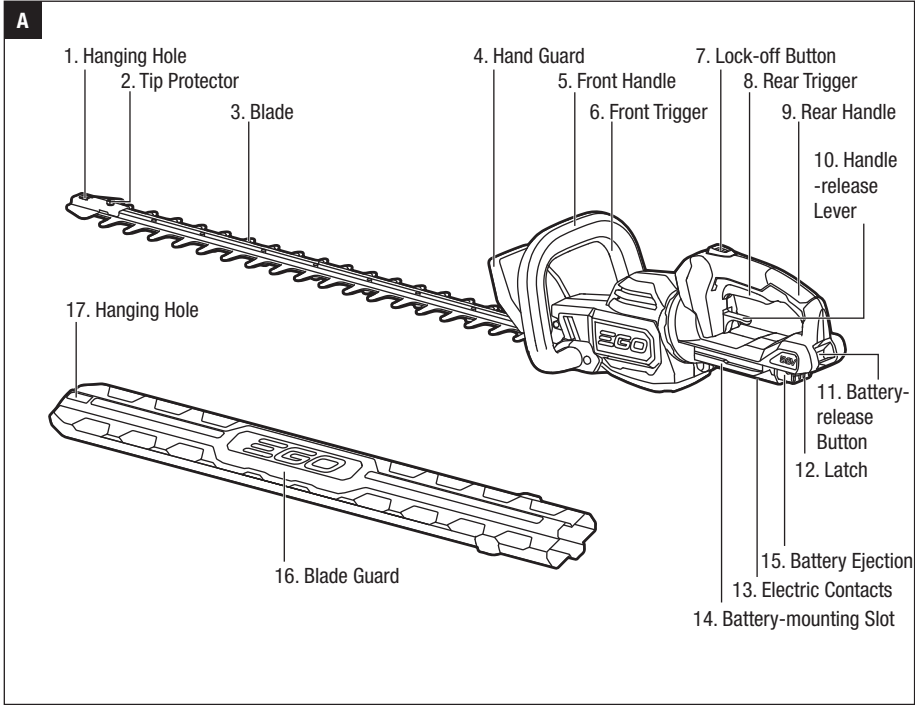


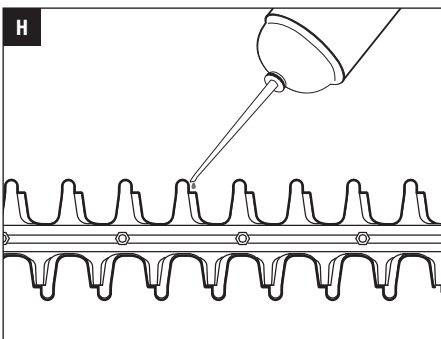
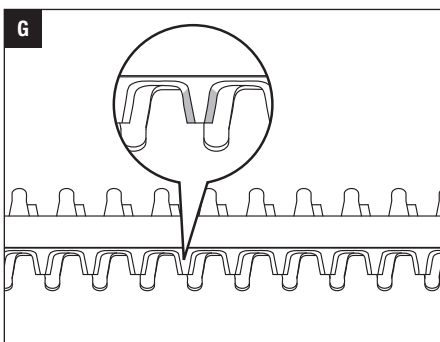
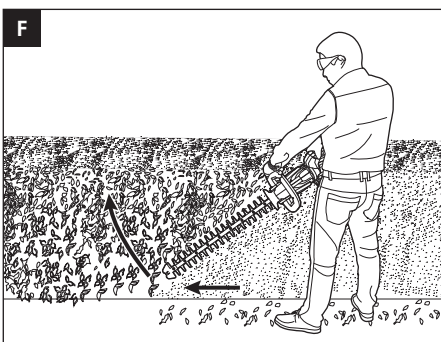
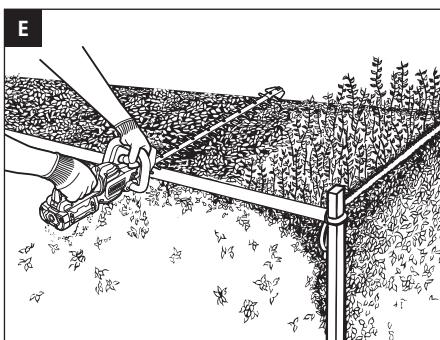
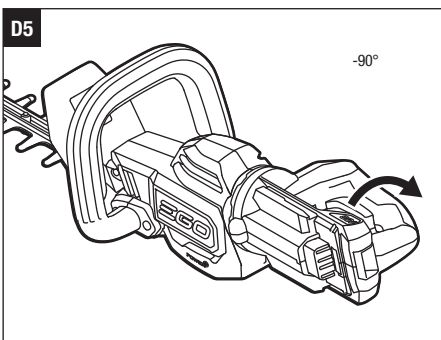
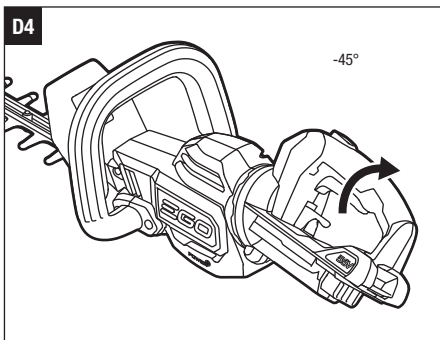
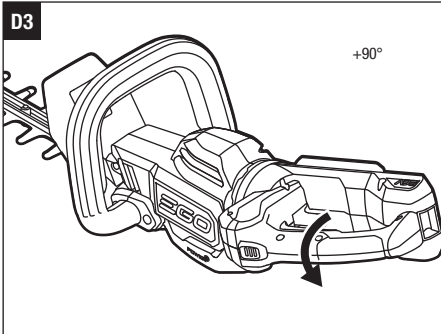
OPERATOR'S MANUAL

56 VOLT LITHIUM-ION CORDLESS HEDGE TRIMMER

MODEL NUMBER HT2600E

⚠ WARNING: To reduce the risk of injury, the user must read and understand the Operator's Manual before using this product. Save these instructions for future reference.





READ ALL INSTRUCTIONS!



READ OPERATOR'S MANUAL

⚠ WARNING: Residual risk! People with electronic devices, such as pacemakers, should consult their physician(s) before using this product. Operation of electrical equipment in close proximity to a heart pacemaker could cause interference or failure of the pacemaker.

⚠ WARNING: To ensure safety and reliability, all repairs and replacements should be performed by a qualified service technician.

⚠ WARNING: Read all safety warnings, instructions, illustrations and specifications provided with this machine. Failure to follow all instructions listed below may result in electric shock, fire and/or serious injury.

SAFETY MEANING

⚠ SAFETY ALERT SYMBOL: Indicates DANGER, WARNING, OR CAUTION. May be used in conjunction with other symbols or pictographs.



⚠ WARNING: The operation of any machines can result in foreign objects being thrown into your eyes, which can result in severe eye damage. Before beginning machine operation, always wear safety goggles or safety glasses with side shields and a full face shield when needed. We recommend a Wide Vision Safety Mask for use over eyeglasses or standard safety glasses with side shields.

SAFETY INSTRUCTIONS

This page depicts and describes safety symbols that may appear on this product. Read, understand, and follow all instructions on the machine before attempting to assemble and operate it.

	Safety Alert	Indicates a potential personal injury hazard.
	Read Operator's Manual	To reduce the risk of injury, user must read operator's manual.
	Do Not Expose To Rain	WARNING: Do not use in the rain or leave outdoors while it is raining.
	Noise	Guaranteed sound power level.
	WEEE	Waste electrical products should not be disposed of with household waste. Take to an authorized recycler.
	Wear eye and head protection.	Always wear eye, ear and head protection.
	Keep hands and feet away from the cutting tool	Never attempt to operate your machine with one hand. Loss of control of the machine resulting in serious or fatal injury may result. To reduce the risk of cut injuries, keep hands and feet away from the cut-ting tool. Never attach a moving cutting tool with your hand or any other part of your body.
	Blade Length	The length of the blade
	Direct Current	Type or a characteristic of current
V	Volt	Voltage
mm	Millimeter	Length or size
min ⁻¹	Per Minute	Revolutions per minute
n ₀	No Load Speed	Rotational speed, at no load
cm	Centimeter	Length or size
IPX4	IP Symbol	Protection against ingress of water degree 4.

GENERAL MACHINE SAFETY WARNINGS

⚠ WARNING: READ ALL SAFETY WARNINGS, INSTRUCTIONS, ILLUSTRATIONS AND SPECIFICATIONS PROVIDED WITH THIS MACHINE. Failure to follow all instructions listed below may result in electric shock, fire and/or serious injury.

SAVE ALL WARNINGS AND INSTRUCTIONS FOR FUTURE REFERENCE.

The term “machine” in the warnings refers to your mains-operated (corded) machine or battery-operated (cordless) machine.

WORK AREA SAFETY

- **Keep work area clean and well lit.** Cluttered or dark areas invite accidents.
- **Do not operate machines in explosive atmospheres, such as in the presence of flammable liquids, gases or dust.** Machines create sparks which may ignite the dust or fumes.
- **Keep children and bystanders away while operating a machine.** Distractions can cause you to lose control.

ELECTRICAL SAFETY

- **Machine plugs must match the outlet. Never modify the plug in any way. Do not use any adapter plugs with earthed (grounded) machines.** Unmodified plugs and matching outlets will reduce risk of electric shock.
- **Avoid body contact with earthed or grounded surfaces, such as pipes, radiators, ranges and refrigerators.** There is an increased risk of electric shock if your body is earthed or grounded.
- **Do not expose machines to rain or wet conditions.** Water entering a machine will increase the risk of electric shock.
- **Do not abuse the cord. Never use the cord for carrying, pulling or unplugging the machine. Keep cord away from heat, oil, sharp edges or moving parts.** Damaged or entangled cords increase the risk of electric shock.
- **When operating a machine outdoors, use an extension cord suitable for outdoor use.** Use of a cord suitable for outdoor use reduces the risk of electric shock.
- **If operating a machine in a damp location is unavoidable, use a residual current device (RCD) protected supply.** Use of an RCD reduces the risk of electric shock.

PERSONAL SAFETY

- **Stay alert, watch what you are doing and use common sense when operating a machine. Do not use a machine while you are tired or under the influence of drugs, alcohol medication.** A moment of inattention while operating machines may result in serious personal injury.
- **Use personal protective equipment. Always wear eye protection.** Protective equipment such as a dust mask, non-skid safety shoes, hard hat or hearing protection used for appropriate conditions will reduce personal injuries.
- **Prevent unintentional starting. Ensure the switch is in the off-position before connecting to power source and/or battery pack, picking up or carrying the tool.** Carrying machines with your finger on the switch or energizing machines that have the switch on invites accidents.
- **Remove any adjusting key or wrench before turning the machine on.** A wrench or a key left attached to a rotating part of the machine may result in personal injury.
- **Do not overreach. Keep proper footing and balance at all times.** This enables better control of the machine in unexpected situations.
- **Dress properly. Do not wear loose clothing or jewelry. Keep your hair and clothing away from moving parts.** Loose clothes, jewelry or long hair can be caught in moving parts.
- **If devices are provided for the connection of dust extraction and collection facilities, ensure these are connected and properly used.** Use of dust collection can reduce dust-related hazards.
- **Do not let familiarity gained from frequent use of tools allow you to become complacent and ignore tool safety principles.** A careless action can cause severe injury within a fraction of a second.

MACHINE USE AND CARE

- **Do not force the machine. Use the correct machine for your application.** The correct machine will do the job better and safer at the rate for which it was designed.
- **Do not use the machine if the switch does not turn it on and off.** Any machine that cannot be controlled with the switch is dangerous and must be repaired.
- **Disconnect the plug from the power source and/or remove the battery pack, if detachable, from the machine before making any adjustments, changing accessories, or storing machines.** Such preventive safety measures reduce the risk of starting the machine accidentally.

- **Store idle machines out of the reach of children and do not allow persons unfamiliar with the machine or these instructions to operate the machine.** Machines are dangerous in the hands of untrained users.
- **Maintain machines and accessories. Check for misalignment or binding of moving parts, breakage of parts and any other condition that may affect the machines operation. If damaged, have the machine repaired before use.** Many accidents are caused by poorly maintained machines.
- **Keep cutting tools sharp and clean.** Properly maintained cutting tools with sharp cutting edges are less likely to bind and are easier to control.
- **Use the machine, accessories and tool bits etc. in accordance with these instructions, taking into account the working conditions and the work to be performed.** Use of the machine for operations different from those intended could result in a hazardous situation.
- **Keep handles and grasping surface dry, clean and free from oil and grease.** Slippery handles and grasping surfaces do not allow for safe handling and control of the tool in unexpected situations.

BATTERY TOOL USE AND CARE

- **Recharge only with the charger specified by the manufacturer.** A charger that is suitable for one type of battery pack may create a risk of fire when used with another battery pack.
- **Use machines only with specifically designated battery packs listed below.** Use of any other battery packs may create a risk of injury and fire.

BATTERY PACK	CHARGER
BA1400, BA2800, BA4200, BA1400T, BA2800T, BA4200T, BA5600T, BA6720T	CH2100E, CH5500E, CH7000E

- **When battery pack is not in use, keep it away from other metal objects, like paper clips, coins, keys, nails, screws or other small metal objects, that can make a connection from one terminal to another.** Shorting the battery terminals together may cause burns or a fire.
- **Under abusive conditions, liquid may be ejected from the battery; avoid contact. If contact accidentally occurs, flush with water.** If liquid contacts eyes, additionally seek medical help. Liquid ejected from the battery may cause irritation or burns.
- **Do not use a battery pack or tool that is damaged**

or modified. Damaged or modified batteries may exhibit unpredictable behavior resulting in fire, explosion or risk of injury.

- **Do not expose a battery pack or tool to fire or excessive temperature.** Exposure to fire or temperature above 130 °C may cause explosion.
- **Follow all charging instructions and do not charge the battery pack or tool outside the temperature range specified in the instructions.** Charging improperly or at temperatures outside the specified range may damage the battery and increase the risk of fire.

SERVICE

- **Have your machine serviced by a qualified repair person using only identical replacement parts.** This will ensure that the safety of the machine is maintained.
- **Never service damaged battery packs.** Service of battery packs should only be performed by the manufacturer or authorized service providers.

HEDGE TRIMMER SAFETY WARNINGS

- **Keep all parts of the body away from the blade. Do not remove cut material or hold material to be cut when blades are moving. Blades continue to move after the switch is turned off.** A moment of inattention while operating the hedge trimmer may result in serious personal injury.
- **Carry the hedge trimmer by the handle with the blade stopped and taking care not to operate any power switch.** Proper carrying of the hedge trimmer will decrease the risk of inadvertent starting and resultant personal injury from the blades.
- **When transporting or storing the hedge trimmer, always fit the blade cover.** Proper handling of the hedge trimmer will decrease the risk of personal injury from the blades.
- **When clearing jammed material or servicing the unit, make sure all power switches are off and the battery pack is removed or disconnected.** Unexpected actuation of the hedge trimmer while clearing jammed material or servicing may result in serious personal injury.
- **Hold the hedge trimmer by insulated gripping surfaces only, because the blade may contact hidden wiring.** Blades contacting a “live” wire may make exposed metal parts of the hedge trimmer “live” and could give the operator an electric shock.
- **Keep all power cords and cables away from cutting area.** Power cords or cables may be hidden in hedges or bushes and can be accidentally cut by the blade.

- **Do not use the hedge trimmer in bad weather conditions, especially when there is a risk of lightning.** This decreases the risk of being struck by lightning.

IMPORTANT SAFETY INSTRUCTIONS

- Do not use the battery-operated hedge trimmer in rain.
- Do not charge the battery pack in rain or in wet locations.
- Do not grasp the exposed cutting blades or cutting edges when picking up or holding the hedge trimmer.
- Do not use on a ladder, rooftop, tree, or other unstable support. Stable footing on a solid surface enables better control of the hedge trimmer in unexpected situations.
- Never allow children to operate the hedge trimmer.
- Never remove or tamper with safety devices. Check their proper operation regularly. Never do anything to interfere with the intended function of a safety device or to reduce the protection provided by a safety device.
- Never operate the hedge trimmer without proper guards, plates, or other safety protective devices in place.
- Check damaged parts before further use of the hedge trimmer. A guard or other part that is damaged should be carefully checked to determine that it will operate properly and perform its intended function. Check for alignment of moving parts, binding of moving parts, breakage of parts, mounting, and any other condition that may affect its operation. A guard or other part that is damaged should be properly repaired or replaced by an authorized service center unless indicated elsewhere in this manual.
- Check the blade and motor mounting bolts at frequent intervals for proper tightness. Also, visually inspect blade for damage (e.g., bent, cracked, and worn). Replace the blade only with a blade from EGO™.
- Replace the blade if it is bent or cracked. An unbalanced blade causes vibration that could damage the motor drive unit or cause personal injury.
- If the equipment should start to vibrate abnormally, stop the motor and check immediately for the cause. Vibration is generally a warning of trouble.
- Trim only in daylight or in good artificial light.
- Remove or disconnect battery before servicing, cleaning, or removing material from the hedge trimmer.
- Do not wash with a hose; avoid getting water in motor and electrical connections.
- When servicing use only identical replacement parts listed in this manual. Use of parts which do not meet the original equipment specifications may lead to

improper performance and compromised safety.

- Follow instructions for lubricating and changing accessories.
- Keep handles dry, clean and free from oil and grease.
- Save these instructions. Refer to them frequently and use them to instruct others who may use this tool. If you loan this tool to someone else, also loan these instructions to them to prevent misuse of the product and possible injury.

SAVE THESE INSTRUCTIONS!

SPECIFICATIONS

Model	HT2600E
Voltage	56V ---
No-Load Speed	1700 /min
Blade Length	66 cm
Cutting Capacity	30.5 mm
Weight (without battery pack, blade guard)	3.14 kg
Recommended Operating Temperature	0°C-40°C
Recommended Storage Temperature	-20°C-70°C

PACKING LIST

PART NAME	QUANTITY
Hedge Trimmer	1
Blade Guard	1
Operator's manual	1

DESCRIPTION

KNOW YOUR HEDGE TRIMMER (Fig. A)

1. Hanging Hole
2. Tip Protector
3. Blade
4. Hand Guard
5. Front Handle
6. Front Trigger
7. Lock-off Button
8. Rear Trigger
9. Rear Handle
10. Handle-release Lever
11. Battery-release Button
12. Latch
13. Electric Contacts

- 14. Battery-mounting Slot
- 15. Battery Ejection
- 16. Blade Guard
- 17. Hanging Hole

⚠ WARNING: This product has been shipped completely assembled. The hand guard shall never be removed during use. Once damaged, replace it immediately by a qualified service technician.

⚠ WARNING: The safe use of this product requires an understanding of the information on the tool and in this operator's manual, as well as knowledge of the project you are attempting. Before use of this product, familiarize yourself with all operating features and safety rules.

OPERATION

⚠ WARNING: Do not allow familiarity with this product to make you careless. Remember that a careless fraction of a second is sufficient to inflict serious injury.

⚠ WARNING: Always wear eye protection with side shields, along with hearing protection. Failure to do so could result in objects being thrown into your eyes and other possible serious injuries.

⚠ WARNING: To prevent accidental starting that could cause serious personal injury, always remove the battery pack from the tool when assembling parts, making adjustments, cleaning, or when not in use.

⚠ WARNING: Do not use any attachments or accessories not recommended by EGO™. The use of attachments or accessories not recommended can result in serious personal injury. Before each use, inspect the entire product for damaged, missing, or loose parts, such as screws, nuts, bolts, caps, etc. Tighten securely all fasteners and caps and do not operate this product until all missing or damaged parts are replaced.

APPLICATION

You may use this product for trimming the hedges, shrubs and bushes with a branch diameter of less than $\varnothing 30.5\text{mm}$.

NOTICE: The tool is to be used only for its prescribed purpose. Any other use is deemed to be a case of misuse.

INSTALLING/REMOVING THE BATTERY PACK

Charge before first use.

To Install (Fig. B)

Align the battery ribs with the mounting slots and press the battery pack down until you hear a "click".

To Remove (Fig. C)

Depress the battery-release button and pull the battery pack out.

⚠ WARNING: Always be aware for the location of your feet, children, or pets when pressing the battery-release button. Serious injury could result if the battery pack falls. NEVER remove the battery pack at a high location.

HOLDING THE HEDGE TRIMMER (Fig. D1-D5)

The unit has both a front and rear handle. With the blade directed away from you, hold the unit by both handles. The rear handle can be set in five positions ($0^\circ \pm 45^\circ / \pm 90^\circ$) by raising up the handle-release lever (Fig. D1 to Fig.D5), giving you many choices for a comfortable grip when performing cutting operations.

⚠ WARNING: Do not adjust the handle while the tool is running. Stop the tool and remove the battery first.

STARTING/STOPPING THE HEDGE TRIMMER

Before operating, remove the blade guard and hold the trimmer with both hands, one hand on the rear handle and the other on the front handle. Then check for stable footing, upright standing and a proper cutting distance.

To Start

1. Install the battery pack.
2. Squeeze and hold the front trigger with one hand.
3. Press and hold the lock-off button with the thumb of your other hand, then squeeze the rear trigger with your fingers to start the hedge trimmer. Release the lock-off button but continue to squeeze the trigger for continued operation.

To Stop

Move the hedge trimmer away from the cutting area and release either of the trigger to stop the hedge trimmer.

⚠ WARNING: Always remove the battery pack from the hedge trimmer during work breaks and after finishing work.

USING THE HEDGE TRIMMER

⚠ WARNING: If the blade jams on any electrical cord or line, **DO NOT TOUCH THE BLADE! IT CAN BECOME ELECTRICALLY LIVE AND VERY DANGEROUS.** Continue to hold the hedge trimmer by the insulated rear handle or lay it down and away from you in a safe manner. Disconnect the electrical service to the damaged line or cord before attempting to free the blade from the line or cord. Failure to heed this warning will result in serious personal injury or possible death.

⚠ WARNING: Avoid trimming too much at one time or through the heavy shrubbery. This can cause the blades to bind and slow, reducing the cutting efficiency.

NOTICE: The trimmer shall be used to cut stems less than (30.5mm) thick.

NOTICE: For new growth, a wide sweeping is suitable for the stems fed directly into the cutting blade. For older growth, a sawing movement is good for trimming the thicker stems. A non-powered hand saw or pruning saw is suggested for trimming the large stems first.

Top Cutting

Use a wide sweeping motion. A slight downward tilt of the cutting blades in the direction of motion gives the best cutting results. For better cutting effect, you might as well use the string to guide the hedge level as Fig. E shown.

Side Cutting

When trimming the sides of the hedge, begin at the bottom and cut upwards as Fig. F shown. Trim the side of a hedge so that it will be slightly narrower at the top. This shape will expose more of the hedge to sunlight, resulting in a more uniform growth.

MAINTENANCE

⚠ WARNING: When servicing, use only identical replacement parts. Use of any other parts may create a hazard or cause product damage. To ensure safety and reliability, all repairs should be performed by a qualified service technician. remove the battery pack from the product when cleaning or performing any maintenance.

CLEANING

- Use a soft brush to remove debris from all air intakes and cutting blade.
- To remove pitch and other sticky residue, spray the blades with resin solvent. Run the motor briefly so that the solvent is evenly distributed.
- Wipe the surface with a dry cloth.

⚠ WARNING: Never use water for cleaning your trimmer. Avoid using solvents when cleaning plastic parts. Most plastics are susceptible to damage from various types of commercial solvents. Use clean clothes to remove dirt, dust, oil, grease, etc.

SHARPENING THE CUTTING BLADE

1. Start and stop your hedge trimmer until the cutter blade and the guard are slightly offset, as shown in Fig. G. This will allow clearance for the file between cutter teeth and guard teeth.

2. Remove the battery pack from your hedge trimmer.
3. Clamp the blade assembly in a vise and file the exposed cutting surface of each blade tooth. Remove as little material as possible. Be sure to retain the original angle of each tooth when filing.
4. Remove the hedge trimmer from the vise; restart it and stop it to expose the unsharpened edges of the blade teeth.
5. Remove the battery pack and repeat the sharpening procedure above.

NOTICE: Do not operate your hedge trimmer with dull or damaged cutting blades. This may cause overload and will give unsatisfactory cutting results.

LUBRICATING THE BLADE (Fig. H)

For best operation and longer blade life, lubricate the hedge trimmer blade with light weight machine oil before and after each use. Remove the battery pack and lay the trimmer onto a flat surface. Apply the oil along the edge of the top blade.

NOTICE: For extended using period, oil the blade during cutting operation.

⚠ WARNING: Do not oil while the hedge trimmer is running.

TRANSPORTING AND STORING

- Always place the blade guard on the blade before storing or transporting the hedge trimmer. Use caution to avoid the sharp teeth of the blade.
- Clean the hedge trimmer thoroughly before storing.
- Store the hedge trimmer indoors, in a dry place that is inaccessible to children.
- Keep away from corrosive agents such as garden chemicals and deicing salts.

⚠ WARNING: Blades are sharp. When handling the blade assembly, wear non-slip, heavy-duty protective gloves. Do not place your hand or fingers between blades or in any position where they could get pinched or cut. NEVER touch blades or service the unit with battery pack installed.

Protecting the environment



Do not dispose of electrical appliances as unsorted municipal waste, use separate collection facilities.

Contact your local government for information regarding the collection systems available.

If electrical appliances are disposed of in landfills or dumps, hazardous substances can leak into the groundwater and get into the food chain, damaging your health and well-being.

TROUBLESHOOTING

PROBLEM	CAUSE	SOLUTION
<p>Hedge trimmer doesn't work.</p>	<ul style="list-style-type: none"> ■ The battery pack is not attached to the hedge trimmer. ■ No electrical contact between the trimmer and battery ■ The battery pack is depleted. ■ The battery pack is too hot. ■ The hedge trimmer is too hot. ■ The front and rear triggers are not depressed simultaneously. ■ The blade is jammed. 	<ul style="list-style-type: none"> ■ Attach the battery pack to the hedge trimmer. ■ Remove battery, check contacts and reinstall the battery pack. ■ Charge the battery pack. ■ Remove the battery pack from the tool and allow it to cool until the temperature drops below 67°C. ■ Release both switch levers; allow the trimmer to cool until the temperature drops to normal temperature. ■ Press the lock-off button first and then press the switch levers in the front and rear handle simultaneously. ■ Remove the battery pack from the tool, remove the obstruction carefully, then reinsert the battery and restart the tool.
<p>Excessive vibration or noise.</p>	<ul style="list-style-type: none"> ■ Dry or corroded blades. ■ Blades or blade support is bent. ■ Bent or damaged teeth. ■ Loose blade bolts. 	<ul style="list-style-type: none"> ■ Lubricate the blades, following the section "LUBRICATING THE BLADE" in this manual. ■ Replace with a new blade or support. Contact EGO service center for blade or support replacement service. ■ Replace with a new blade. Contact EGO service center for blade replacement service. ■ Tighten the blade bolts. Using a wrench, turn the bolt clockwise to tighten.

WARRANTY POLICY

For warranty service or to make a claim, please visit our Warranty Portal at egopowerplus.com.au/warranty-policy, alternatively you can contact EGO customer service via the following, **Australia 1300 000 346, New Zealand 0508 000 346.**

Chervon Australia Pty Ltd ABN 36 165 077 501 and Chervon New Zealand Subsidiary Ltd NZBN 9429049277616 (“Chervon”) warrants to the original domestic purchaser that this product will be free from defects in materials and workmanship for 5 years from date of purchase, and any battery or charger will be free from defects in materials and workmanship for 3 years from date of purchase. Warranty for commercial use is 1 year on all product, battery and chargers. The Commercial Range Product Warranty for commercial users is 2 years for product, backpack battery (BAX1501) and commercial charger (CHX5500E). Please refer to product warranty table below for further clarification. To make a claim, call 1300 000 346 for AU or 0508 000 346 for NZ or lodge a claim via our portal link above. Any handling and transportation costs (and other expenses incurred in claiming this warranty) are not covered by this warranty and will not be borne by Chervon. The replacement product or part or repaired product will be made available for your collection at an address nominated by Chervon. Where a valid warranty claim is made, Chervon will replace the defective product or repair the fault. Where the product is repaired, Chervon may use refurbished parts. This warranty does not cover normal wear and tear, misuse or abuse (including overloading of the product beyond capacity and exposure to water or rain), accidents, neglect or lack of proper installation, and improper maintenance or storage. This warranty does not cover the damage resulting from modification, alteration or unauthorised repair. This warranty does not cover normal deterioration of the exterior finish, including but not limited to scratches, dents, paint chips, or to any corrosion or discolouring by heat, abrasive and chemical cleaners. This warranty is void if the product has been used for rental purpose. This warranty may also be further limited or voided as specifically detailed in the product Manual. Chervon has no other liability under this warranty. The benefits to you given by this warranty are in addition to other rights and remedies imposed by State and Federal legislation that cannot be excluded. Our goods come with guarantees that cannot be excluded under the Australian Consumer Law and the New Zealand Consumer Guarantee Act 1993. You are entitled to a replacement or refund for a major failure and compensation for any other reasonably foreseeable loss or damage. You are also entitled to have the goods repaired or replaced if the goods fail to be of acceptable quality and the failure does not amount to a major failure. The warranty applies to the original purchaser and applies only to purchases made from authorised EGO Dealers, which can be confirmed on the website store locator. For avoidance of doubt, 3rd party online stores such as eBay, Gumtree, Amazon, etc. are excluded.

Chervon Australia Pty Ltd, Unit 14, 5 Kelletts Rd, Rowville, VIC. 3178.

Ph Australia; 1300 000 346. Email: support@egopowerplus.com.au

Chervon New Zealand Subsidiary Ltd, 4th Floor, Smith & Caughey Building, 253 Queen St, Auckland, 1141.

Ph New Zealand; 0508 000 346. Email: support@egopowerplus.co.nz



PRODUCT WARRANTY TABLE

PRODUCT OR MODEL #	LIMITED WARRANTY FOR CONSUMER USE (PERSONAL, HOUSEHOLD USE)	LIMITED WARRANTY FOR PROFESSIONAL USE (ANY COMMERCIAL, AGRICULTURAL, INSTITUTIONAL, OR INCOME-PRODUCING USE)
EGO Power+ Outdoor Power Equipment and Portable Power Products	5 years	1 year
EGO Power+ Battery Packs and Chargers	3 years	1 year
Specific warranties apply to the products below:		
Commercial Tools: LBX6000, BCX3800, STX3800, HTX7500, CSX3000, PPX1000, PSX2500, PTX5100, BHX1001, STX4500, BCX4500, EDX2000, HTX5300-P, HTX5300-PA, LBPX8000	5 years	2 years
Commercial Backpack Battery: BAX1501	3 years	2 years
Commercial Charger: CHX5500E	3 years	2 years

Ph New Zealand; 0508 000 EGO (346). Email: support@egopowerplus.co.nz