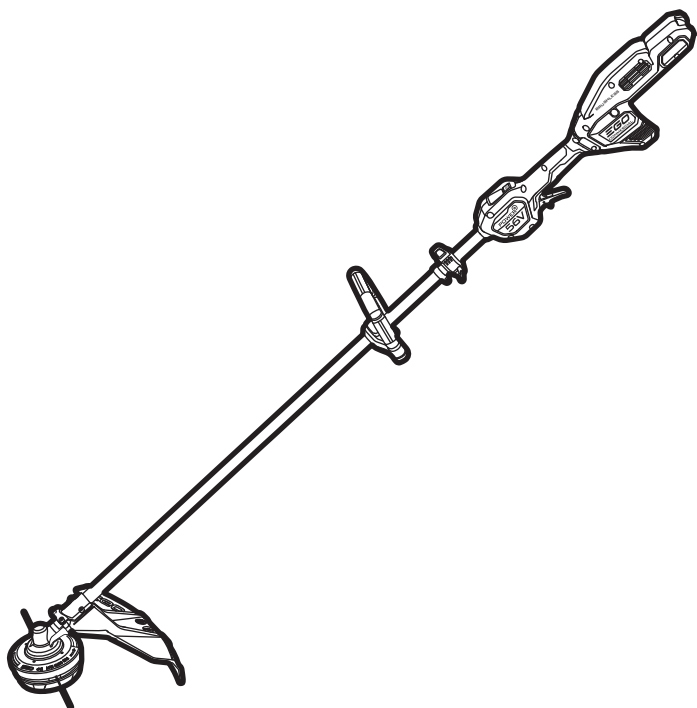


# EGO™

## COMMERCIAL

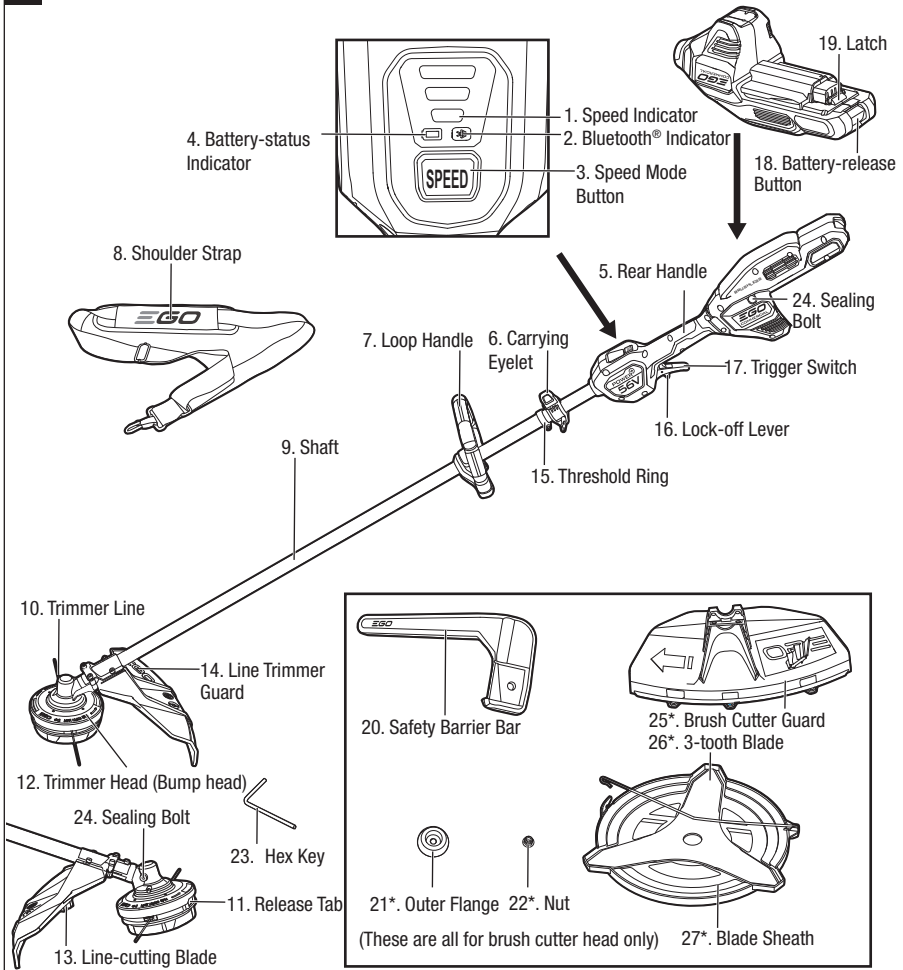


OPERATOR'S MANUAL

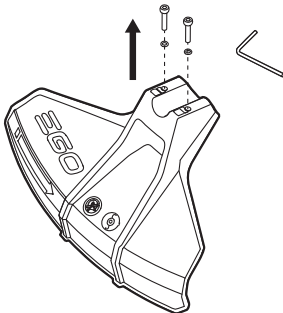
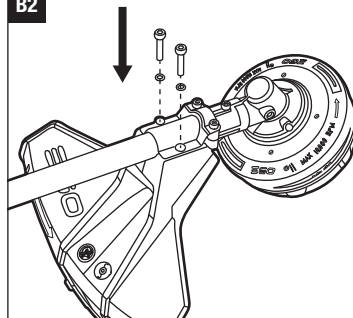
# 56 VOLT LITHIUM-ION COMMERCIAL CORDLESS LINE TRIMMER

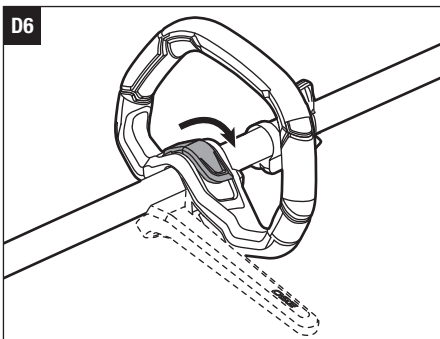
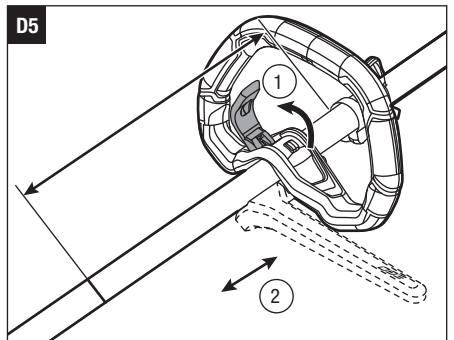
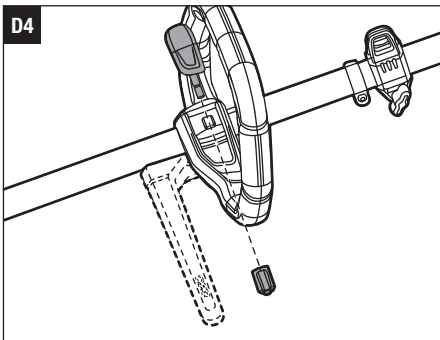
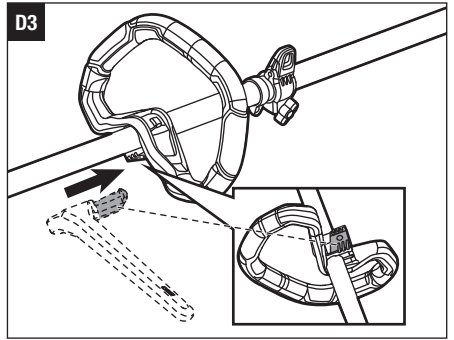
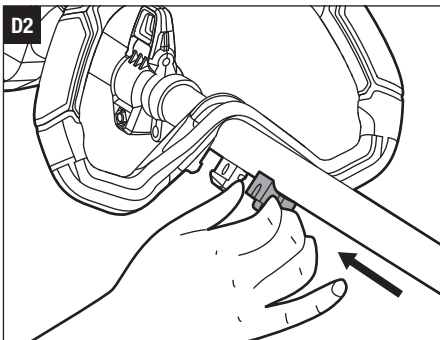
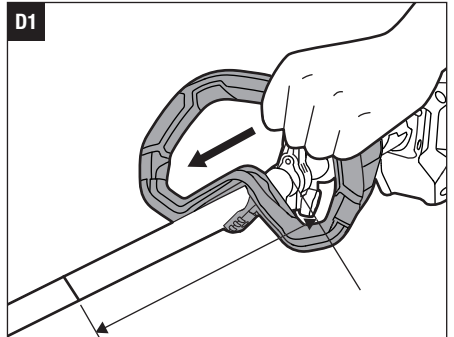
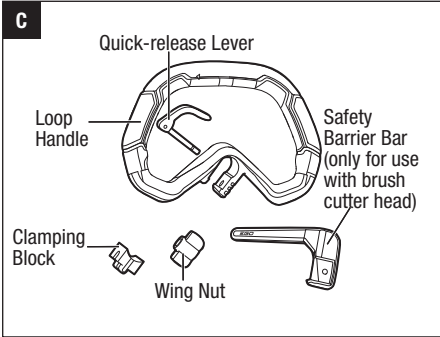
MODEL NUMBER STX4500

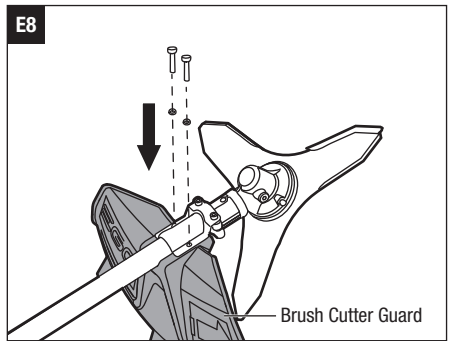
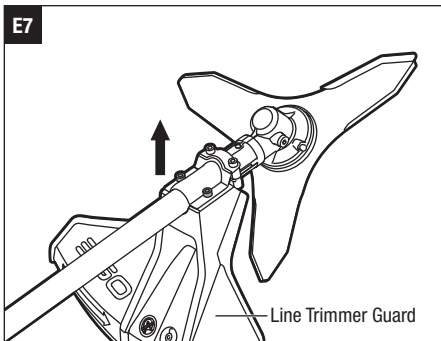
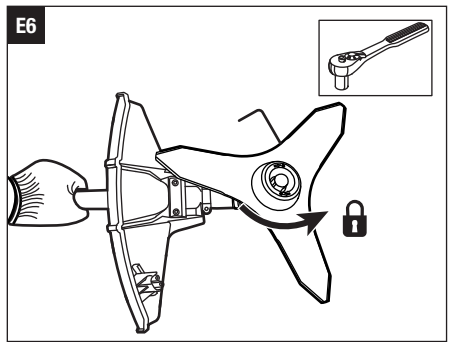
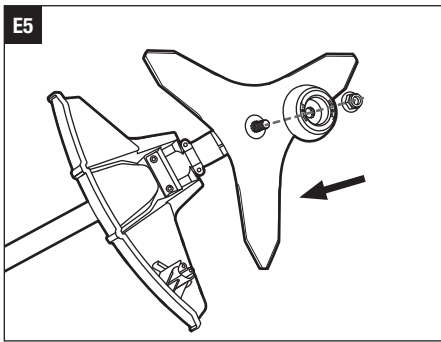
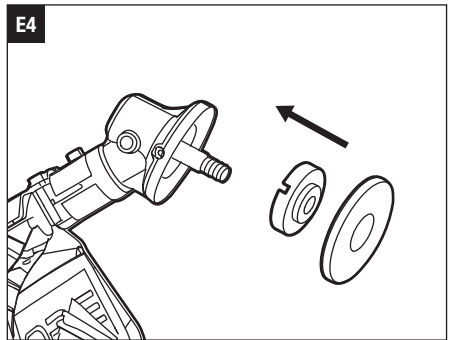
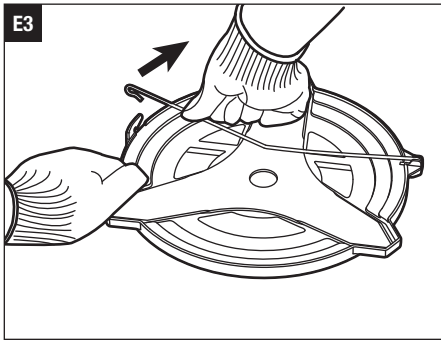
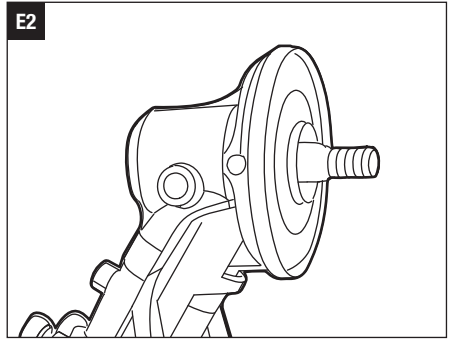
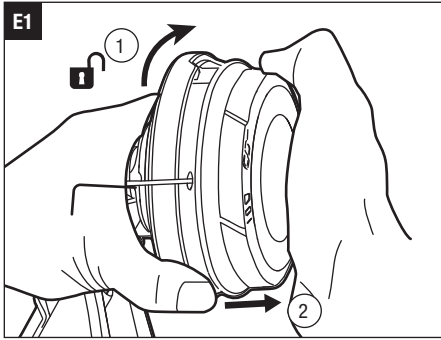
**⚠ WARNING:** To reduce the risk of injury, the user must read and understand the Operator's Manual before using this product. Save these instructions for future reference.

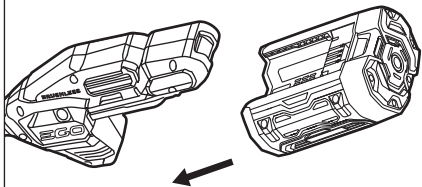
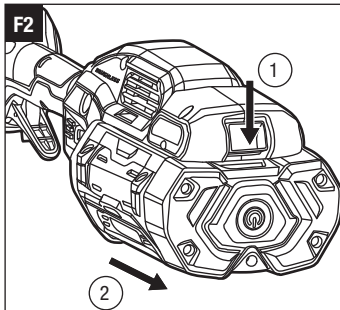
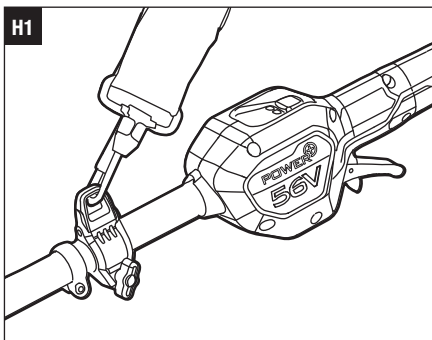
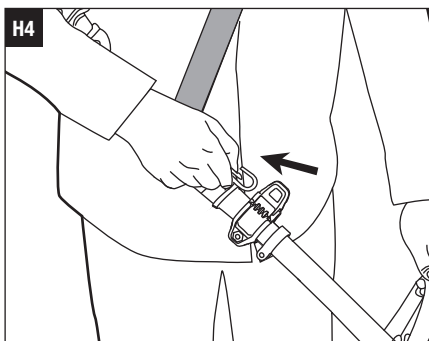
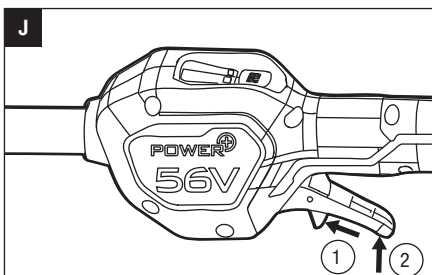
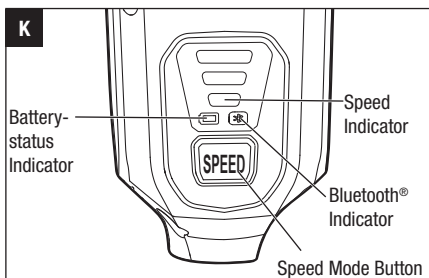
**A**

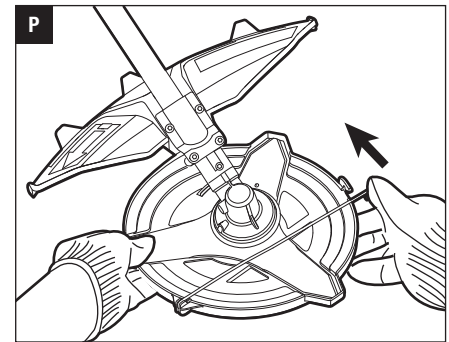
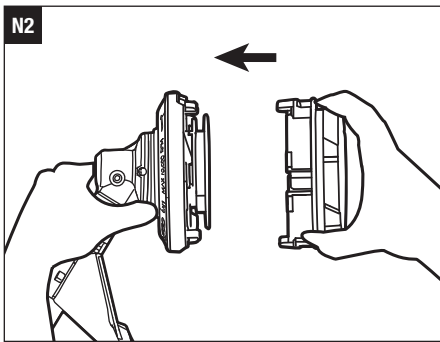
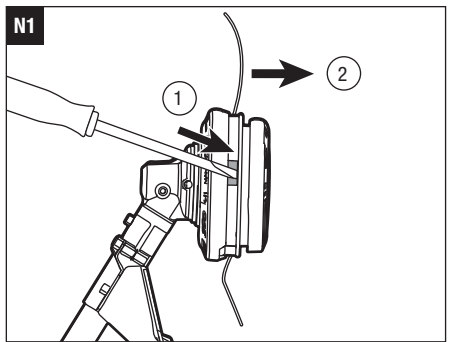
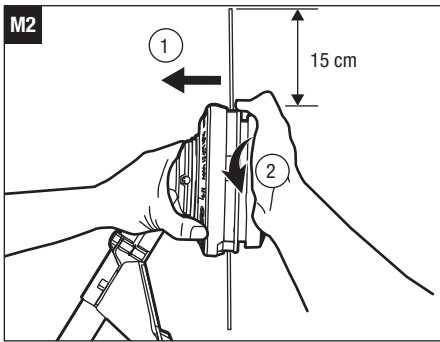
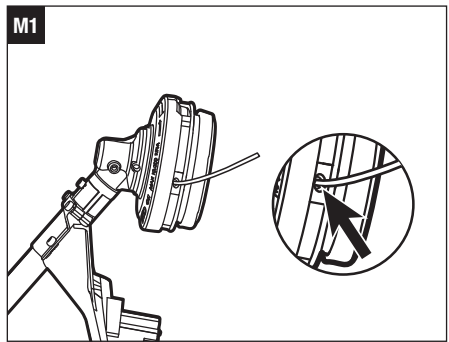
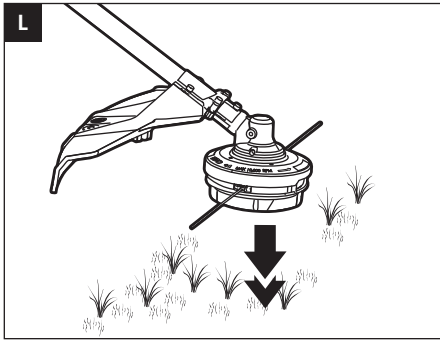
\* SOLD SEPARATELY

**B1****B2**





**F1****F2****H1****H2****H3****H4****J****K**



## READ ALL INSTRUCTIONS!



### READ OPERATOR'S MANUAL

**⚠ Residual risk!** People with electronic devices, such as pacemakers, should consult their physician(s) before using this product. Operation of electrical equipment in close proximity to a heart pacemaker could cause interference or failure of the pacemaker.

**⚠ WARNING:** To ensure safety and reliability, all repairs and replacements should be performed by a qualified service technician.

## SAFETY SYMBOLS

The purpose of safety symbols is to attract your attention to possible dangers. The safety symbols and the explanations with them deserve your careful attention and understanding. The symbol warnings do not, by themselves, eliminate any danger. The instructions and warnings they give are no substitutes for proper accident prevention measures.

**⚠ WARNING:** Be sure to read and understand all safety instructions in this Operator's Manual, including all safety alert symbols such as **"DANGER," "WARNING,"** and **"CAUTION"** before using this machine. Failure to follow all instructions listed below may result in electric shock, fire, and/or serious personal injury.

## SYMBOL MEANING






**⚠ SAFETY ALERT SYMBOL:** Indicates **DANGER, WARNING, or CAUTION.** May be used in conjunction with other symbols or pictographs.

**⚠ WARNING:** The operation of any machines can result in foreign objects being thrown into your eyes, which can result in severe eye damage. Before beginning power tool operation, always wear safety goggles or safety glasses with side shields and a full face shield when needed. We recommend a Wide Vision Safety Mask for use over eyeglasses or standard safety glasses with side shields.

## SAFETY INSTRUCTIONS

This page depicts and describes safety symbols that may appear on this product. Read, understand, and follow all instructions on the machine before attempting to assemble and operate it.

	Safety Alert	Indicates a potential personal injury hazard.
	Read Operator's Manual	To reduce the risk of injury, user must read and understand operator's manual before using this product.
	Wear Eye Protection	Always wear safety goggles or safety glasses with side shields and a full face shield when operating this product.
	Wear Ear Protection	Always wear ear protection when operating this product.
	Wear Head Protection	Wear an approved safety hard hat to protect your head.
	Wear Protective Gloves	Protect your hands with gloves when handling blade or blade guard.
	Wear Safety Footwear	Wear non-slip safety footwear when using this equipment.
	Beware of thrown objects	Alerts user to beware of thrown objects.
	Beware of blade thrust	Alerts user to beware of blade thrust.
	Disconnect battery before maintenance	Alerts user to disconnect battery before maintenance.
	The distance between the machine and bystanders shall be at least 15 m.	Alerts user to keep the distance between the machine and bystanders be at least 15 m.
	Cutting Width	The Max. cutting width of line trimmer

	Line Diameter	The Diameter of the nylon cutting line
	Noise	Guaranteed sound power level
	WEEE	Waste electrical products should not be disposed of with household waste. Take to an authorized recycler.
	Regulatory Compliance Mark	This product complies with applicable Australian standards.
IPX5	Ingress Protection Degree	Protected against water jets.
V	Volt	Voltage
	Direct Current	Type or a characteristic of current
$n_0$	Maximum Speed	Maximum rotational speed
.../min	Per Minute	Revolutions per minute
cm	Centimeter	Length or size
mm	Millimeter	Length or size
kg	Kilogram	Weight
°C	Degrees Celsius	Temperature

## GENERAL BATTERY-OPERATED MACHINE SAFETY WARNINGS

**⚠ WARNING:** Read all safety warnings, instructions, illustrations and specifications provided with this machine. Failure to follow all instructions listed below may result in electric shock, fire and/or serious injury.

### SAVE ALL WARNINGS AND INSTRUCTIONS FOR FUTURE REFERENCE.

The term “machine” in the warnings refers to your mains-operated (corded) machine or battery-operated (cordless) machine.

#### Work area safety

- **Keep work area clean and well lit.** Cluttered or dark areas invite accidents.
- **Do not operate machines in explosive atmospheres, such as in the presence of flammable liquids,**

**gases or dust.** Machines create sparks which may ignite the dust or fumes.

- **Keep children and bystanders away while operating a machine.** Distractions can cause you to lose control.

#### Electrical safety

- **Machine plugs must match the outlet. Never modify the plug in any way. Do not use any adapter plugs with earthed (grounded) machines.** Unmodified plugs and matching outlets will reduce risk of electric shock.
- **Avoid body contact with earthed or grounded surfaces, such as pipes, radiators, ranges and refrigerators.** There is an increased risk of electric shock if your body is earthed or grounded.
- **Do not operate the machine in rain or wet conditions.** Water entering the machine may increase the risk of electric shock or malfunction that could result in personal injury.
- **Do not abuse the cord. Never use the cord for carrying, pulling or unplugging the machine. Keep cord away from heat, oil, sharp edges or moving parts.** Damaged or entangled cords increase the risk of electric shock.
- **When operating a machine outdoors, use an extension cord suitable for outdoor use.** Use of a cord suitable for outdoor use reduces the risk of electric shock.
- **If operating a machine in a damp location is unavoidable, use a ground fault circuit interrupter (GFCI) protected supply.** Use of a GFCI reduces the risk of electric shock.

#### Personal safety

- **Stay alert, watch what you are doing and use common sense when operating a machine. Do not use a machine while you are tired or under the influence of drugs, alcohol or medication.** A moment of inattention while operating machines may result in serious personal injury.
- **Use personal protective equipment. Always wear eye protection.** Protective equipment such as a dust mask, non-skid safety shoes, hard hat or hearing protection used for appropriate conditions will reduce personal injuries.
- **Prevent unintentional starting. Ensure the switch is in the off-position before connecting to power source and/or battery pack, picking up or carrying the machine.** Carrying machines with your finger on the switch or energizing machines that have the switch on invites accidents.



- **Remove any adjusting key or wrench before turning the machine on.** A wrench or a key left attached to a rotating part of the machine may result in personal injury.
- **Do not overreach. Keep proper footing and balance at all times.** This enables better control of the machine in unexpected situations.
- **Dress properly. Do not wear loose clothing or jewelry. Keep your hair and clothing away from moving parts.** Loose clothes, jewelry or long hair can be caught in moving parts.
- **If devices are provided for the connection of dust extraction and collection facilities, ensure these are connected and properly used.** Use of dust collection can reduce dust-related hazards.
- **Do not let familiarity gained from frequent use of machines allow you to become complacent and ignore machine safety principles.** A careless action can cause severe injury within a fraction of a second.

### Machine use and care

- **Do not force the machine. Use the correct machine for your application.** The correct machine will do the job better and safer at the rate for which it was designed.
- **Do not use the machine if the switch does not turn it on and off.** Any machine that cannot be controlled with the switch is dangerous and must be repaired.
- **Disconnect the plug from the power source and/or remove the battery pack, if detachable, from the machine before making any adjustments, changing accessories, or storing machines.** Such preventive safety measures reduce the risk of starting the machine accidentally.
- **Store idle machines out of the reach of children and do not allow persons unfamiliar with the machine or these instructions to operate the machine.** Machines are dangerous in the hands of untrained users.
- **Maintain machines and accessories. Check for misalignment or binding of moving parts, breakage of parts and any other condition that may affect the machine's operation. If damaged, have the machine repaired before use.** Many accidents are caused by poorly maintained machines.
- **Keep cutting machines sharp and clean.** Properly maintained cutting machines with sharp cutting edges are less likely to bind and are easier to control.
- **Use the machine, accessories and machine bits etc. in accordance with these instructions, taking**

**into account the working conditions and the work to be performed.** Use of the machine for operations different from those intended could result in a hazardous situation.

- **Keep handles and grasping surfaces dry, clean and free from oil and grease.** Slippery handles and grasping surfaces do not allow for safe handling and control of the machine in unexpected situations.

### Battery machine use and care

- **Recharge only with the charger specified by the manufacturer.** A charger that is suitable for one type of battery pack may create a risk of fire when used with another battery pack.
- **Use machines only with specifically designated battery packs.** Use of any other battery packs may create a risk of injury and fire.
- **When battery pack is not in use, keep it away from other metal objects, like paper clips, coins, keys, nails, screws or other small metal objects, that can make a connection from one terminal to another.** Shorting the battery terminals together may cause burns or a fire.
- **Under abusive conditions, liquid may be ejected from the battery; avoid contact. If contact accidentally occurs, flush with water. If liquid contacts eyes, additionally seek medical help.** Liquid ejected from the battery may cause irritation or burns.
- **Do not use a battery pack or machine that is damaged or modified.** Damaged or modified batteries may exhibit unpredictable behavior resulting in fire, explosion or risk of injury.
- **Do not expose a battery pack or machine to fire or excessive temperature.** Exposure to fire or temperature above 130 °C may cause explosion.
- **Follow all charging instructions and do not charge the battery pack or machine outside the temperature range specified in the instructions.** Charging improperly or at temperatures outside the specified range may damage the battery and increase the risk of fire.

### Service

- **Have your machine serviced by a qualified repair person using only identical replacement parts.** This will ensure that the safety of the machine is maintained.
- **Never service damaged battery packs.** Service of battery packs should only be performed by the manufacturer or authorized service providers.



## LINE TRIMMER AND BRUSH CUTTER SAFETY WARNINGS

- **Do not use the machine in bad weather conditions, especially when there is a risk of lightning.** This decreases the risk of being struck by lightning.
- **Thoroughly inspect the area for wildlife where the machine is to be used.** Wildlife may be injured by the machine during operation.
- **Thoroughly inspect the area where the machine is to be used and remove all stones, sticks, wires, bones, and other foreign objects.** Thrown objects can cause personal injury.
- **Before using the machine, always visually inspect to see that the cutter or blade and the cutter or blade assembly are not damaged.** Damaged parts increase the risk of injury.
- **Follow instructions for changing accessories.** Improperly tightened blade securing nuts or bolts may either damage the blade or result in it becoming detached.
- **Wear eye, ear, head and hand protection.** Adequate protective equipment will reduce personal injury by flying debris or accidental contact with the cutting line or blade.
- **While operating the machine, always wear non-slip and protective footwear. Do not operate the machine when barefoot or wearing open sandals.** This reduces the chance of injury to the feet from contact with the moving cutters or lines.
- **While operating the machine, always wear long trousers.** Exposed skin increases the likelihood of injury from thrown objects.
- **Keep bystanders away while operating the machine.** Thrown debris can result in serious personal injury.
- **Always use two hands when operating the machine.** Holding the machine with both hands will avoid loss of control.
- **Hold the machine by the insulated gripping surfaces only, because the cutting line or blade may contact hidden wiring.** Cutting line or blades contacting a “live” wire may make exposed metal parts of the machine “live” and could give the operator an electric shock
- **Always keep proper footing and operate the machine only when standing on the ground.** Slippery or unstable surfaces may cause a loss of balance or control of the machine.
- **Do not operate the machine on excessively steep slopes.** This reduces the risk of loss of control, slipping and falling which may result in personal injury.
- **When working on slopes, always be sure of your footing, always work across the face of slopes, never up or down and exercise extreme caution when changing direction.** This reduces the risk of loss of control, slipping and falling which may result in personal injury.
- **Keep all parts of the body away from the cutter, line or blade when the machine is operating. Before you start the machine, make sure the cutter, line or blade is not contacting anything.** A moment of inattention while operating the machine may result in injury to yourself or others.
- **Do not operate the machine above waist height.** This helps prevent unintended cutter or blade contact and enables better control of the machine in unexpected situations.
- **When cutting brush or saplings that are under tension, be alert for spring back.** When the tension in the wood fibers is released, the brush or sapling may strike the operator and/or throw the machine out of control.
- **Use extreme caution when cutting brush and saplings.** The slender material may catch the blade and be whipped toward you or pull you off balance.
- **Maintain control of the machine and do not touch cutters, lines or blades and other hazardous moving parts while they are still in motion.** This reduces the risk of injury from moving parts.
- **Carry the machine with the machine switched off and away from your body.** Proper handling of the machine will reduce the likelihood of accidental contact with a moving cutter, line or blade
- **Only use replacement cutters, lines, cutting heads and blades specified by the manufacturer.** Incorrect replacement parts may increase the risk of breakage and injury.
- **When clearing jammed material or servicing the machine, make sure the switch is off and the battery pack is removed.** Unexpected starting of the machine while clearing jammed material or servicing may result in serious personal injury.
- **When transporting or storing the machine, always fit the cover on metal blades.** Proper handling of the machine will reduce the likelihood of accidental contact with the blade.
- **Damage to Trimmer** - If you strike a foreign object with the trimmer or it becomes entangled, stop the machine immediately, check for damage and have any damage repaired before further operation is attempted. Do not operate with a broken guard or spool.

- **If the equipment should start to vibrate abnormally, stop the motor and check immediately for the cause.** Vibration is generally a warning of trouble. A loose head may vibrate, crack, break or come off the trimmer, which may result in serious or fatal injury. Make sure that the cutting attachment is properly fixed in position. If the head loosens after fixing it in position, replace it immediately. Never use a trimmer with a loose cutting attachment.
- **If you are approached by another person while operating the machine, switch the machine off.** There is an increased risk of injury to other persons being struck by the moving blade in the event of blade thrust.

**SAVE THESE INSTRUCTIONS!**

**SPECIFICATIONS**

- **Use only with EGO's battery packs and chargers listed below:**

BATTERY PACK	CHARGER
BA1400, BA1400T, BA2800, BA2800T, BA4200, BA4200T, BA5600T, BA6720T	CH2100E, CH5500E, CH7000E
BAX1501	CHX5500

Voltage	56 V $\overline{\text{---}}$
$n_0$	Low: 3500 /min Medium: 4500 /min High: 5200 /min
Cutting Mechanism	Bump Head
Cutting Line Type	2.7 mm nylon twist line
Cutting Width	45 cm
Recommended Operating Temperature	0°C - 40°C
Recommended Storage Temperature	-20°C - 70°C
Optimum Charging Temperature	5°C - 40°C
Weight (without battery pack)	4.1 kg
Guaranteed sound power level	96 dB(A)

**Blade thrust causes and related warnings**

Blade thrust is a sudden sideways, forward or backward motion of the machine, which may occur when the blade jams or catches on an object such as a sapling or a tree stump. It can be violent enough to cause the machine and/or operator to be propelled in any direction, and possibly lose control of the machine.

Blade thrust and its related hazards can be avoided by taking proper precautions as given below.

- **Maintain a firm grip with both hands on the machine and position your arms to resist blade thrust. Position your body to the left side of the machine.** Blade thrust can increase the risk of injury due to the machine moving unexpectedly. Blade thrust can be controlled by the operator if proper precautions are taken.
- **If the blade binds, or when interrupting a cut for any reason, switch the machine off and hold the machine motionless in the material until the blade comes to a complete stop. While the blade is binding, never attempt to remove the machine from the material or pull the machine backward while the blade is in motion, otherwise blade thrust may occur.** Investigate and take corrective actions to eliminate the cause of blade binding.
- **Do not use blunt or damaged blades.** Blunt or damaged blades increase the risk of jamming or catching on an object, resulting in blade thrust.
- **Always maintain good visibility of the material being cut.** Blade thrust is more likely to occur in areas where it is difficult to see the material being cut.

**PACKING LIST**

PART NAME	QUANTITY
Line Trimmer	1
Line Trimmer Guard Assembly	1
Loop Handle Assembly	1
Shoulder Strap	1
Safety Barrier Bar (only use with brush cutter head)	1
Hex Key	1
Operator's Manual	1

## DESCRIPTION

### KNOW YOUR LINE TRIMMER (Fig. A)

1. Speed Indicator
2. Bluetooth® Indicator
3. Speed Mode Button
4. Battery-status Indicator
5. Rear Handle
6. Carrying Eyelet
7. Loop Handle
8. Shoulder Strap
9. Shaft
10. Trimmer Line
11. Release Tab
12. Trimmer Head (Bump head)
13. Line-cutting Blade
14. Line Trimmer Guard
15. Threshold Ring
16. Lock-off Lever
17. Trigger Switch
18. Battery-release Button
19. Latch
20. Safety Barrier Bar
- 21\*. Outer Flange
- 22\*. Nut
23. Hex Key
24. Sealing Bolt (2)
- 25\*. Brush Cutter Guard
- 26\*. 3-tooth Blade
- 27\*. Blade Sheath

\* SOLD SEPARATELY

## ASSEMBLY

**⚠ WARNING:** If any parts are damaged or missing, do not operate this product until the parts are replaced. Use of this product with damaged or missing parts could result in serious personal injury.

**⚠ WARNING:** Do not attempt to modify this product or create accessories not recommended for use with this line trimmer. Any such alteration or modification is misuse and could result in a hazardous condition leading to possible serious personal injury.


**⚠ WARNING:** To prevent accidental starting that could cause serious personal injury, always remove the battery pack from the machine when assembling parts.

**⚠ WARNING:** When the machine is equipped with brush cutter head, the safety barrier bar shall be mounted.

### MOUNTING THE GUARD (FIG. B1 & B2)

**⚠ WARNING:** Always wear gloves when mounting or replacing the guard. Take care of the blade on the guard and protect your hand from cutting.

**⚠ WARNING:** Never operate the machine without the guard firmly in place. The guard must always be on the machine to protect the user! When the guard is fixed, never attempt to remove or adjust the guard, if a replacement is needed, it should be performed by a qualified service technician!

**NOTICE:** There are two kinds of guards compatible with this machine. Only the guard with icon  can be used with line trimmer head and must NOT be used with brush cutter head. Be careful to choose the correct guard when using the machine.

**NOTICE:** The brush cutter guard is sold separately.

Loosen and remove the two bolts from the guard, align the guard mounting holes with the assembly holes and then lock the guard onto the shaft base with the two bolts, together with two spring washers.

**⚠ WARNING:** Make sure the guard is fixed according to Fig. B1 & B2, any reverse fixing will cause great danger!

### MOUNTING AND ADJUSTING THE LOOP HANDLE

1. Stop the motor and remove the battery pack from the machine, if installed.
2. Loosen the wing nut to separate the adjustable loop handle (Fig. C).

**NOTICE:** Must install the safety barrier bar onto the loop handle when the machine is equipped with brush cutter head.

3. Push the loop handle onto the shaft between the threshold ring and the warning label (Fig. D1).
4. Insert the clamping block into the handle slot (Fig. D2).
5. Align the recessed part in the barrier bar with the protruded part on the loop handle, press the barrier bar onto the loop handle (Fig. D3).
6. Mount the quick-release lever and tighten the wing

nut. Make sure that the loop handle is positioned upwards and points toward the top of the rear handle (Fig. D4).

7. Pull the quick-release lever up to move/rotate the loop handle to a comfortable operating position (Fig. D5).
8. Fold the quick-release lever to secure the loop handle in place (Fig. D6).

**⚠ WARNING:** Never operate the machine without the loop handle firmly in place.

## REPLACE THE TRIMMER HEAD WITH THE BRUSH CUTTER HEAD

1. Remove the battery pack from the machine
2. Rotate the trimmer head to align the slot in the flange with the shaft-locking hole in the gear case and insert a stabilizer into the hole (Fig. E1).
3. Rotate the trimmer head **CLOCKWISE** to remove it from the motor shaft (Fig. E1, E2).
4. The blade is shipped with a sheath. Before mounting the blade onto the brush cutter, the sheath should be removed from the hook on the sheath (Fig. E3).

**NOTICE:** To protect against injury, you have to wear gloves prior to any operation with the 3-tooth blade.

5. Mount the inner flange and flange cover into its place, if they had separated from the shaft (Fig. E4).
6. Mount the blade onto the motor shaft, ensuring that the surface of the blade is flush with the surface of the inner flange bulge. Mount the outer flange and the nut (Fig. E5). Finger-tighten the nut **COUNTERCLOCKWISE**.
7. Position the gear case against a solid surface for support. With one hand hold the brush cutter shaft and the other hand grasp a 16 mm socket wrench (not included) to tighten the nut **COUNTERCLOCKWISE** (Fig. E6).
8. Remove the line trimmer guard by loosening the two bolts with washers (Fig. E7).
9. Install the brush cutter guard (not included) with the two bolts and washers from the line trimmer, the same way as line trimmer guard (Fig. E8).

**NOTICE:** When the machine is equipped with the brush cutter head, be carefully to choose the correct guard.

## OPERATION

**⚠ WARNING:** Do not allow familiarity with this product to make you careless. Remember that a careless fraction

of a second is sufficient to inflict serious injury.

**⚠ WARNING:** Always wear eye protection, along with hearing protection. Failure to do so could result in objects being thrown into your eyes and other possible serious injuries.

**⚠ WARNING:** Do not use any attachments or accessories not recommended by the manufacturer of this product. The use of attachments or accessories not recommended can result in serious personal injury.

**⚠ WARNING:** To prevent serious personal injury, remove the battery pack from the machine before servicing, cleaning, changing attachments or removing material from the unit.

## APPLICATIONS

You may use this product for the purposes listed below:

**Trimming:** used for removing grass and weeds up against walls, fences, trees and borders.

**Cutting:** used for cutting the grass that is difficult to reach using a normal mower.

**NOTICE:** The machine is to be used only for its prescribed purposes. Any other use is deemed to be a case of misuse.

## ATTACHING/DETACHING THE BATTERY PACK

Fully charge battery before first use.

### To Attach (Fig. F1)

Align the battery ribs with the mounting slots in the machine battery port and slide the battery pack until it snaps into position.

### To Detach (Fig. F2)

Depress the battery-release button and the battery pack will disengage from the latch.

**⚠ WARNING:** Always be aware for the location of your feet, children, or pets when pressing the battery-release button. Serious injury could result in if the battery pack falls. NEVER remove the battery pack at a high location.

## MOUNTING THE SHOULDER STRAP AND HOLDING THE MACHINE

Depress the carabiner to open it and attach it onto the carrying eyelet (Fig. H1).

For safe and better operation, put on the shoulder strap across the shoulder as Fig. H2. Adjust the shoulder strap in a comfortable operating position. Hold the machine with both hands: One hand on the rear handle and the other hand on the loop handle. The trimmer head should be parallel to the ground so that it easily contacts the material to be cut without the operator having to bend over.

There are two ways to release the strap. Take it away from your shoulder directly (Fig. H3) or press the hook of the strap and take it apart from the carrying eyelet fixed on the shaft (Fig. H4).

**⚠ WARNING:** The shoulder strap is also a quick release mechanism in a hazardous situation. When an emergency occurs, take it off from your shoulder immediately, no matter what way the strap is in.

**⚠ WARNING:** When wearing the strap, no other wearable should interfere with the release and removal of the strap.

**⚠ WARNING:** You should not use the single-shoulder strap and double-shoulder strap simultaneously.

## STARTING/STOPPING THE MACHINE (Fig. J)

### To Start

1. Move the lock-off lever forward and then press the trigger switch to start.
2. Different pressure on the trigger results in variable rotating speed of the cutting unit. Adjust the speed to suit the task at hand.

**NOTICE:** The motor starts only when the lock-off lever is moved forward and the trigger switch is depressed at the same time.

### To Stop

Move the machine away from the cutting area and release the trigger switch to stop it.

**⚠ WARNING:** Always remove the battery pack from the machine during work breaks and after finishing work.

## CHANGING SPEED MODE (FIG. K)

The machine features three speed modes.

Every time press the speed mode switch, the speed mode will change.

The speed indicator will display the active speed status: one light for low speed, two lights for medium speed, three lights for high speed. The low speed mode provides better control of the machine and longer operating time per charge.










### NOTICE:

The speed mode can be set before the machine is turned on OR during operation.

When the machine is re-started after a break, the speed mode will return to the previous speed.

## BATTERY-STATUS INDICATOR AND SPEED INDICATOR (FIG. K)

The battery-status indicator shows the charge level and the working status of the battery pack, and the speed indicator shows the working status of the machine as shown in the chart below. The battery-status indicator and the speed indicator will illuminate when the machine is started OR the speed mode button is pressed.

Indicator Lights		Meaning	
<b>Battery-status indicator</b>	Solid green		Battery charge level of 20% to 100%
	Flashing green		Battery charge level of 10% to 20%
	Solid red		Battery charge level of less than 10%
	Flashing red		The battery pack is nearly depleted and needs to be charged immediately.
	Solid orange		The battery pack is overheated. Cool the battery pack until the temperature drops below 67°C. See “ <b>Battery High-Temperature Protection</b> ” below
	Flashing red/ green alternately		The battery pack electronics error. Replace the battery pack or contact EGO customer service center. See “ <b>Battery Electronics Error Protection</b> ” below.
<b>Speed indicator (the illustration shows the high speed)</b>	Solid green		The machine is working properly.
	Solid orange		The machine is overheated. Cool the machine until the temperature drops below 80°C. See “ <b>Machine High-Temperature Protection</b> ” below.
	Flashing orange		The machine is overloaded. See “ <b>Machine Overload Protection</b> ” below.

### Battery High-Temperature Protection

If the battery temperature exceeds 70°C during operation, the temperature-protection circuit will immediately shut off the machine to protect the battery pack from overheating damage. The battery-status indicator will glow solid orange. Release the trigger and wait until the overheated battery cools down and the indicator turns green, then restart the machine.

### Battery Electronics Error Protection

When the battery pack electronics error occurs, the battery-status indicator will flash red/green alternately and the machine will shut off in 3 seconds. Replace the battery pack or contact EGO customer service center.

### Machine Overload Protection

This machine has built-in overload circuit protection. When the machine is overloaded, the motor will stop and the speed indicator will flash orange. Remove the battery pack from the machine, then reattach the battery pack and restart the machine. Decrease the load on the machine, avoid too long or oversize cutting line or cutting on the heavy/woody shrubs.

### Machine High-Temperature Protection

If the machine temperature exceeds 90°C during operation, the temperature-protection circuit will immediately shut off the machine from overheating damage. The speed indicator will glow solid orange. Release the trigger and wait until the overheated machine cools down and the speed indicator turns green, then restart the machine.

## USING WITH LINE TRIMMER HEAD

**⚠ WARNING:** To avoid serious personal injury, wear goggles or safety glasses at all times when operating this unit. Wear a face mask or dust mask in dusty locations.

Clear the area to be cut before each use. Remove all objects, such as rocks, broken glass, nails, wire, or line that can be thrown or become entangled in the cutting attachment. Clear the area of children, bystanders, and pets. At a minimum, keep all children, bystanders and pets at least 15m away; there still may be risk to bystanders from thrown objects. Bystanders should be encouraged to wear eye protection. If you are approached, stop the motor and cutting attachment immediately.

### Before each use, check for damage/worn parts

Check the bump head, guard and loop handle and replace the parts that are cracked, warped, bent, or damaged in any way.

The line-cutting blade on the edge of the guard can dull over time. It is recommended that you periodically sharpen it with a file or replace it with a new blade.

### After each use, clean the trimmer.

**⚠ CAUTION:** Obstructions in the vents will prevent the air from flowing into the motor housing and result in overheating or damaged of the motor.

- Use only mild soap and a damp cloth to clean the machine. Never let any liquid get inside the machine; never immerse any part of the machine into a liquid.
- Keep air vents in the motor housing from debris at all times.

**⚠ WARNING:** Never use water for cleaning your trimmer. Avoid using solvents when cleaning plastic parts. Most plastics are susceptible to damage from various types of commercial solvents. Use clean cloths to remove dirt, dust, oil, grease, etc.

### Check for blockage of the trimmer head

- To prevent blockage, keep the trimmer head clean. Remove grass clippings, leaves, dirt and any other accumulated debris before and after each use.
- When blockage happens, stop the line trimmer and remove the battery, then remove any grass that may have wrapped itself around the motor shaft or trimmer head.

## Adjusting cutting line length (Fig. L)

The trimmer head allows the operator to release more cutting line without stopping the motor. As line becomes frayed or worn, additional line can be released by lightly tapping the bump head on the ground while operating the trimmer.

**NOTICE:** Line release will become more difficult if the cutting line becomes too short.

**⚠ WARNING:** Do not remove or alter the line cutting blade assembly. Excessive line length will cause the motor to overheat and may result in serious personal injury.

## Line replacement

**NOTICE:** Always use the recommended nylon cutting line with a diameter that does not exceed 2.7 mm. Using line other than that specified may cause the line trimmer to overheat or become damaged.

**⚠ WARNING:** Never use metal-reinforced line, wire, or rope, etc. These can break off and become dangerous projectiles.

1. Remove the battery pack from the line trimmer.
2. Cut 6 m long cutting line, insert the line into the mounting hole inside the eyelet (Fig. M1). Push and pull the line from the other side until equal amounts of line appear on both sides of the spool.
3. Press, while rotating the lower cover assembly in the arrow direction, to wind the line onto the spool until approximately 15 cm of line is showing on each side (Fig. M2).
4. Push the lower cover assembly down while pulling on the lines to manually advance the line and to check for proper assembly of the trimmer head.

## Reloading the cutting line

When the cutting line breaks from the line outlet or the cutting line is not released when the trimmer head is tapped, follow the below steps:

1. Press the release tabs on the upper cover and remove the lower cover assembly by pulling it straight out (Fig. N1).
2. Remove the cutting line from the spool.
3. With one hand holding the trimmer, use another hand to grasp the lower cover assembly and align the tabs on the upper cover with the slots in the lower cover assembly (Fig. N2); Press the lower cover assembly until it snaps into place with a distinct click sound.



4. Follow the instructions in “Line replacement” to reload the cutting line.

### Tips for best trimming results

- The correct angle for the cutting attachment is parallel to the ground.
- Do not force the trimmer. Allow the very tip of the line to do the cutting (especially along walls). Cutting with more than the tip will reduce cutting efficiency and may overload the motor.
- The cutting height is determined by the distance of the cutting line from the lawn surface.
- Grass over 8 inches (20 cm) should be cut by working from top to the bottom in small increments to avoid premature line wear or motor drag.
- Slowly move the trimmer into and out of the area being cut, maintaining the cutting head position at the desired cutting height. This movement can be either a forward-backward motion or a side-to-side motion. Cutting shorter lengths produces best results.
- Avoid trimming when grass and weeds are wet.
- Wire and picket fences can cause extra string wear or breakage. Stone and brick walls, curbs, and wood may wear strings rapidly.
- Avoid trees and shrubs. Tree bark, wood moldings, siding, and fence posts can easily be damaged by the strings.

### USING WITH BRUSH CUTTER HEAD

**⚠ WARNING:** To cut wild growth and scrub, lower the rotating 3-tooth blade down onto the growth to achieve a chopping effect. Use the brush cutter like a scythe (sweep it to the right and left) at ground level. Do not use the cutting unit above waist height.

**⚠ WARNING:** The higher the cutting unit is off the ground, the greater the risk of injury from cuttings being thrown sideways.

**⚠ WARNING:** When cutting young stands or other woody materials up to 2cm in diameter, use the left side of the blade to avoid blade thrust situations. Do not attempt to cut woody material with a larger diameter, since the blade may catch or jerk the brush cutter forward. This may cause damage to the blade or the brush cutter or loss of control of the brush cutter, resulting personal injury.

**⚠ WARNING:** Improper use of a blade may cause it to crack, chip, or shatter. Thrown parts may seriously injure the operator or bystander. To reduce the risk of personal injury, it is essential to take the following precautions:

- Avoid contact with hard or solid foreign objects such as stones, rocks or pieces of metal.

- Never cut wood or shrubs with a stem diameter of more than 2 cm.
- Inspect the blade at a regular short interval for signs of damage. Do not continue working with a damaged blade.
- Re-sharpen the blade regularly (when it has dulled noticeably) and have it balanced if necessary (performed by a qualified service technician).

### Tips for best brush-cutting

- Always hold brush cutter on your right side with both hands when operating. Use a firm grip on both handles.
- Maintain your grip and balance on both feet. Position yourself so that you will not be drawn off balance by the kickback reaction of the cutting blade.
- Inspect and clear the area of any hidden objects such as glass, rocks, concrete, fencing, wire, wood, metal, etc., which can be thrown or entangled in the blade.
- Never use blades near sidewalks, fencing, posts, buildings or other immovable objects.
- Never use a blade after hitting a hard object without first inspecting it for damage. Do not use if any damage is detected.
- Use the unit for cutting from the right to the left in a broad sweeping action from side to side.
- Use only the EGO™ blade. Using any other brand blade with this brush cutter could result in serious personal injury.

## MAINTENANCE

**⚠ WARNING:** Before inspecting, cleaning or servicing the unit, stop the motor, wait for all moving parts to stop, and remove the battery pack. Failure to follow these instructions can result in serious personal injury or property damage.

**⚠ WARNING:** When servicing, use only identical replacement parts. Use of any other parts may create a hazard or cause product damage. To ensure safety and reliability, all repairs should be performed by a qualified service technician.

### CLEAN THE MACHINE

- Clean the unit using a damp cloth with a mild detergent.
- Do not use any strong detergents on the plastic housing or the handle. They can be damaged by certain aromatic oils, such as pine and lemon, and by solvents such as kerosene. Moisture can also cause a shock hazard. Wipe off any moisture with a soft dry cloth.

## LUBRICATE THE GEAR CASES

For best operation and longer lifetime, lubricate the gear CASES with a special grease (4-5 ml each time) after every 50 hours operation.

The special grease should meet the following requirements:

1. Belong to DIN51818: NLGI-1 cone penetration degree.
2. Ester base grease.
3. Excellent low-temperature startup, EP, mechanical shearing, abrasion resistance and oxidative stability properties.
4. Operation temperature must contain -40~180°C.

Remove the battery and the sealing bolts. Lubricating the gear cases through the oil-hole.

## STORING THE MACHINE

- Remove the battery pack from the machine when it is not in use.
- Clean the machine thoroughly before storing it.
- Store the unit in a dry, well-ventilated area, locked-up or up high, out of the reach of children. Do not store the machine on or adjacent to fertilizers, gasoline, or other chemicals.
- Use of the blade sheath onto the 3-tooth blade during transport and storage.

## Protecting the environment



Do not dispose of electrical appliances as unsorted municipal waste, use separate collection facilities.

Contact your local government for information regarding the collection systems available.

If electrical appliances are disposed of in landfills or dumps, hazardous substances can leak into the groundwater and get into the food chain, damaging your health and well-being.

## TROUBLESHOOTING

PROBLEM	CAUSE	SOLUTION
Fail to start	<ul style="list-style-type: none"> <li>■ The battery pack is not attached to the line trimmer.</li> </ul>	<ul style="list-style-type: none"> <li>■ Attach the battery pack to the line trimmer.</li> </ul>
	<ul style="list-style-type: none"> <li>■ No electrical contact between the machine and battery.</li> </ul>	<ul style="list-style-type: none"> <li>■ Reinsert the battery pack.</li> </ul>
	<ul style="list-style-type: none"> <li>■ The battery pack is depleted.</li> </ul>	<ul style="list-style-type: none"> <li>■ Charge the battery pack.</li> </ul>
	<ul style="list-style-type: none"> <li>■ The lock-off lever and trigger switch are not depressed simultaneously.</li> </ul>	<ul style="list-style-type: none"> <li>■ Move the lock-off lever forward, then depress the trigger to turn on the machine.</li> </ul>
The machine stops working while cutting	<ul style="list-style-type: none"> <li>■ Heavy cutting line is used.</li> </ul>	<ul style="list-style-type: none"> <li>■ Use recommended nylon cutting line with diameter no greater than 2.7 mm.</li> </ul>
	<ul style="list-style-type: none"> <li>■ The motor is overloaded.</li> </ul>	<ul style="list-style-type: none"> <li>■ The machine will recover when the load is removed. For continuous working, reduce the load of the machine.</li> </ul>
	<ul style="list-style-type: none"> <li>■ The battery pack or machine is too hot.</li> </ul>	<ul style="list-style-type: none"> <li>■ Allow the battery pack or machine to cool until the temperature drops below 67°C.</li> </ul>
	<ul style="list-style-type: none"> <li>■ The battery pack is disconnected from the machine.</li> </ul>	<ul style="list-style-type: none"> <li>■ Re-install the battery to the machine.</li> </ul>
	<ul style="list-style-type: none"> <li>■ The battery pack is depleted.</li> </ul>	<ul style="list-style-type: none"> <li>■ Charge the battery pack.</li> </ul>
The cutting line can't be released (only using with trimmer head)	<ul style="list-style-type: none"> <li>■ The motor shaft or trimmer head is wound with grass.</li> </ul>	<ul style="list-style-type: none"> <li>■ Stop the trimmer, remove the battery and remove the grass from the motor shaft and trimmer head.</li> </ul>
	<ul style="list-style-type: none"> <li>■ There is no enough line in the trimmer head.</li> </ul>	<ul style="list-style-type: none"> <li>■ Remove the battery and replace the cutting line; follow the section "LINE REPLACEMENT" in this manual.</li> </ul>
	<ul style="list-style-type: none"> <li>■ The trimmer head is dirty.</li> </ul>	<ul style="list-style-type: none"> <li>■ Remove the battery and clean the lower cover assembly, spool and upper cover.</li> </ul>
	<ul style="list-style-type: none"> <li>■ Line is tangled in the trimmer head.</li> </ul>	<ul style="list-style-type: none"> <li>■ Remove the battery, remove the line from the spool and rewind; follow the section "LINE REPLACEMENT" in this manual.</li> </ul>
	<ul style="list-style-type: none"> <li>■ The line is too short.</li> </ul>	<ul style="list-style-type: none"> <li>■ Remove the battery and pull the line while alternately pressing down on and releasing the trimmer head.</li> </ul>
Grass wraps around trimmer head and motor housing	<ul style="list-style-type: none"> <li>■ Cutting tall grass at ground level.</li> </ul>	<ul style="list-style-type: none"> <li>■ Cut out the weeds into several sections from top to ground level.</li> </ul>



## WARRANTY POLICY

For warranty service or to make a claim, please visit our Warranty Portal at [egopowerplus.com.au/warranty-policy](http://egopowerplus.com.au/warranty-policy), alternatively you can contact EGO customer service via the following, **Australia 1300 000 346, New Zealand 0508 000 346.**

Chervon Australia Pty Ltd ABN 36 165 077 501 and Chervon New Zealand Subsidiary Ltd NZBN 9429049277616 ("Chervon") warrants to the original domestic purchaser that this product will be free from defects in materials and workmanship for 5 years from date of purchase, and any battery or charger will be free from defects in materials and workmanship for 3 years from date of purchase. Warranty for commercial use is 1 year on all product, battery and chargers. The Commercial Range Product Warranty for commercial users is 2 years for product, backpack battery (BAX1501) and commercial charger (CHX5500E). Please refer to product warranty table below for further clarification. To make a claim, call 1300 000 346 for AU or 0508 000 346 for NZ or lodge a claim via our portal link above. Any handling and transportation costs (and other expenses incurred in claiming this warranty) are not covered by this warranty and will not be borne by Chervon. The replacement product or part or repaired product will be made available for your collection at an address nominated by Chervon. Where a valid warranty claim is made, Chervon will replace the defective product or repair the fault. Where the product is repaired, Chervon may use refurbished parts. This warranty does not cover normal wear and tear, misuse or abuse (including overloading of the product beyond capacity and exposure to water or rain), accidents, neglect or lack of proper installation, and improper maintenance or storage. This warranty does not cover the damage resulting from modification, alteration or unauthorised repair. This warranty does not cover normal deterioration of the exterior finish, including but not limited to scratches, dents, paint chips, or to any corrosion or discolouring by heat, abrasive and chemical cleaners. This warranty is void if the product has been used for rental purpose. This warranty may also be further limited or voided as specifically detailed in the product Manual. Chervon has no other liability under this warranty. The benefits to you given by this warranty are in addition to other rights and remedies imposed by State and Federal legislation that cannot be excluded. Our goods come with guarantees that cannot be excluded under the Australian Consumer Law and the New Zealand Consumer Guarantee Act 1993. You are entitled to a replacement or refund for a major failure and compensation for any other reasonably foreseeable loss or damage. You are also entitled to have the goods repaired or replaced if the goods fail to be of acceptable quality and the failure does not amount to a major failure. The warranty applies to the original purchaser and applies only to purchases made from authorised EGO Dealers, which can be confirmed on the website store locator. For avoidance of doubt, 3rd party online stores such as eBay, Gumtree, Amazon, etc. are excluded.

**Chervon Australia Pty Ltd, Unit 14, 5 Kelletts Rd, Rowville, VIC. 3178.**

**Ph Australia; 1300 000 346. Email: [support@egopowerplus.com.au](mailto:support@egopowerplus.com.au)**

**Chervon New Zealand Subsidiary Ltd, 4th Floor, Smith & Caughey Building, 253 Queen St, Auckland, 1141.**

**Ph New Zealand; 0508 000 346. Email: [support@egopowerplus.co.nz](mailto:support@egopowerplus.co.nz)**

## PRODUCT WARRANTY TABLE

PRODUCT OR MODEL #	LIMITED WARRANTY FOR CONSUMER USE (PERSONAL, HOUSEHOLD USE)	LIMITED WARRANTY FOR PROFESSIONAL USE (ANY COMMERCIAL, AGRICULTURAL, INSTITUTIONAL, OR INCOME-PRODUCING USE)
EGO Power+ Outdoor Power Equipment and Portable Power Products	5 years	1 year
EGO Power+ Battery Packs and Chargers	3 years	1 year
<b>Specific warranties apply to the products below:</b>		
Commercial Tools: LBX6000, BCX3800, STX3800, HTX7500, CSX3000, PPX1000, PSX2500, PTX5100, BHX1001, STX4500, BCX4500, EDX2000, HTX5300-P, HTX5300-PA, LBPX8000	5 years	2 years
Commercial Backpack Battery: BAX1501	3 years	2 years
Commercial Charger: CHX5500E	3 years	2 years





