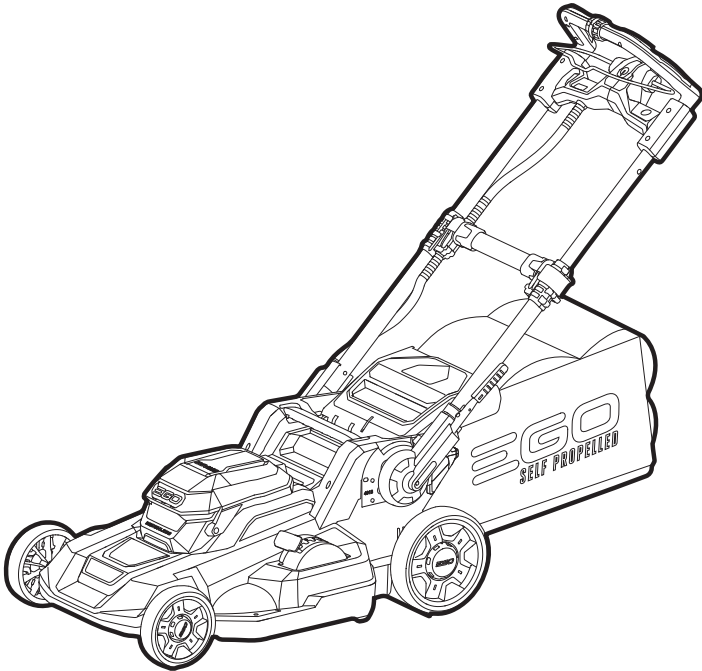


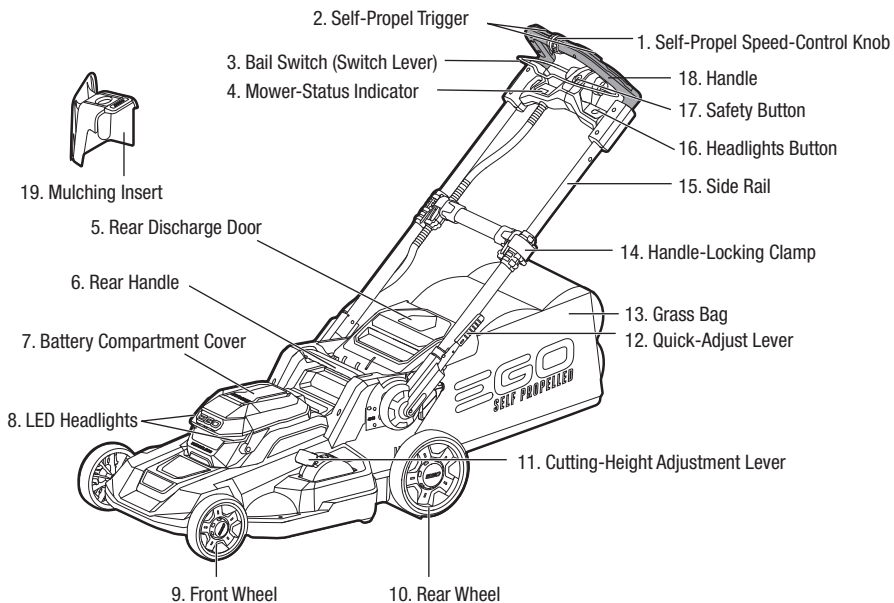
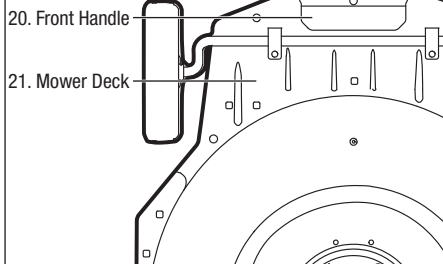
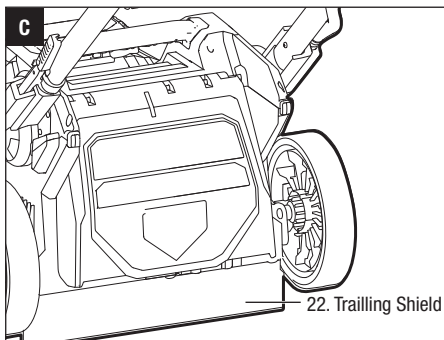
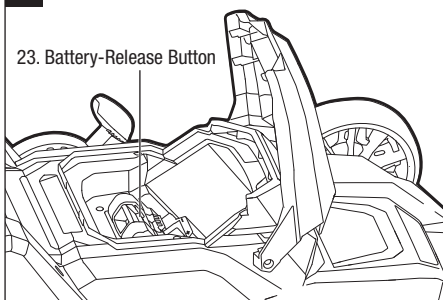
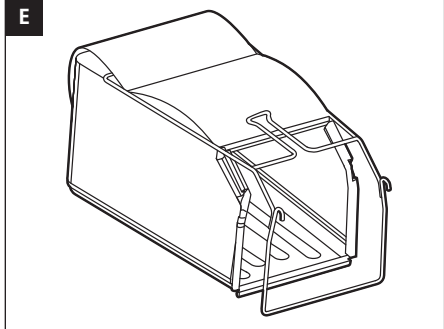
EGO™

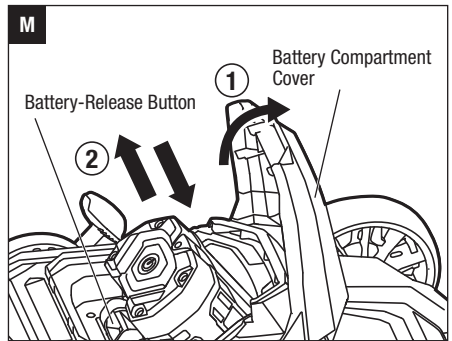
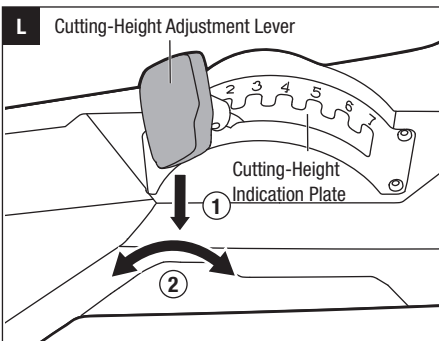
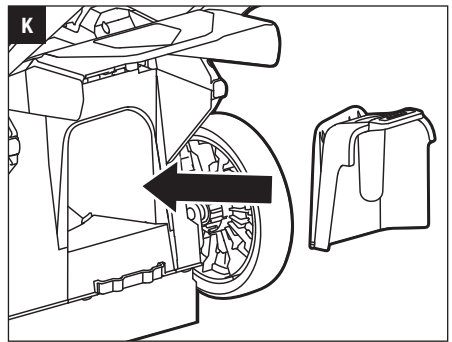
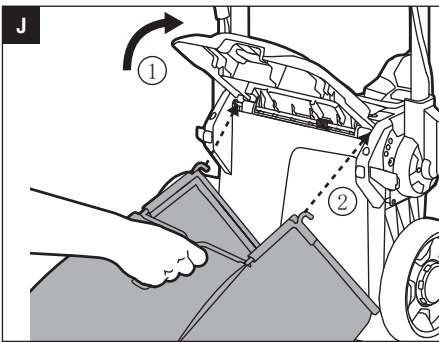
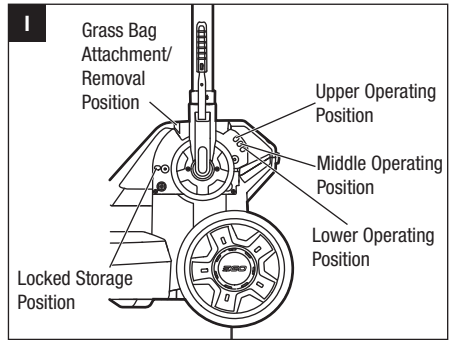
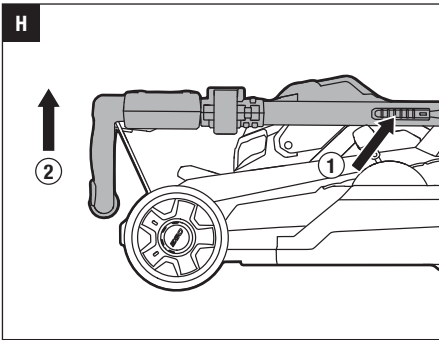
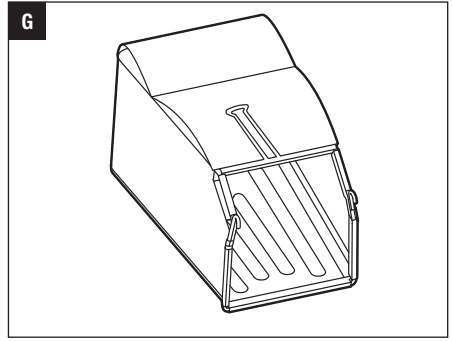
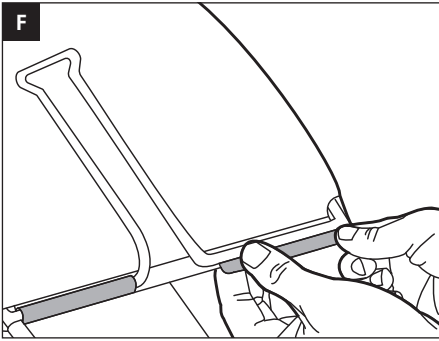
POWER⁺ MOWER

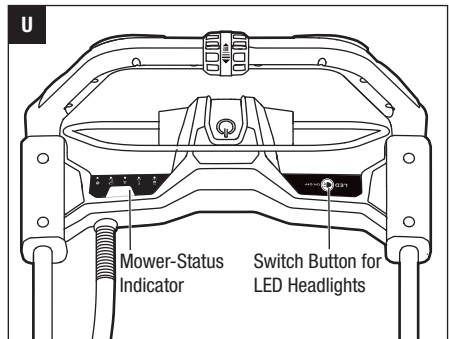
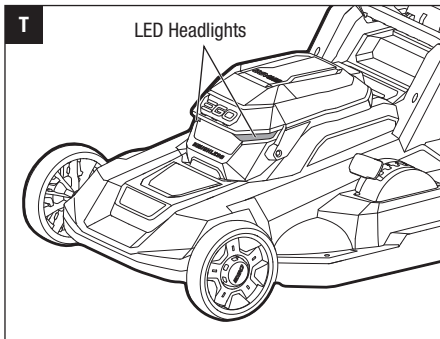
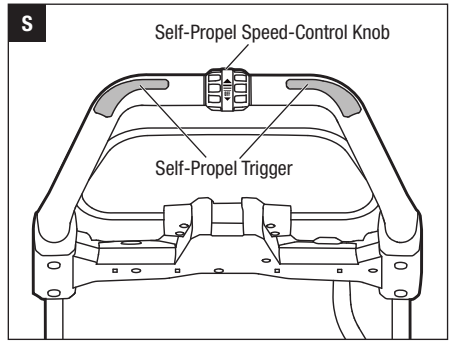
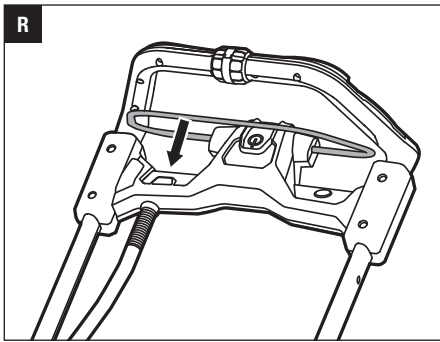
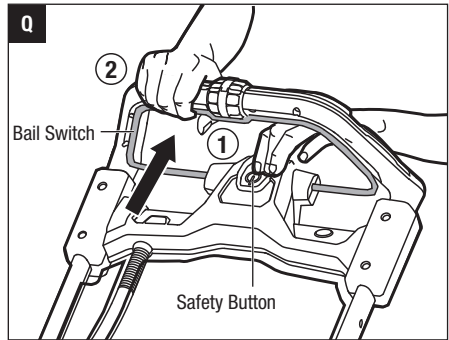
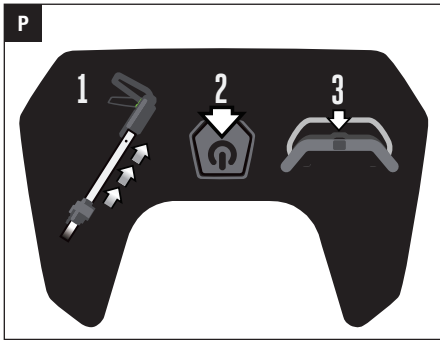
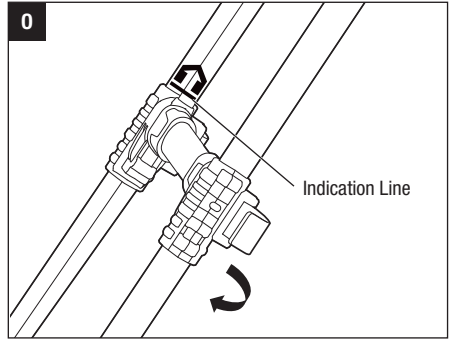
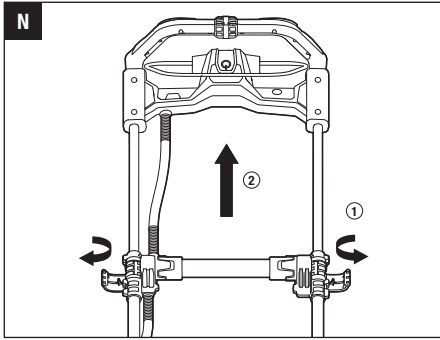


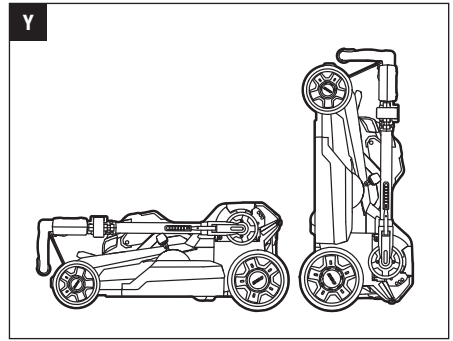
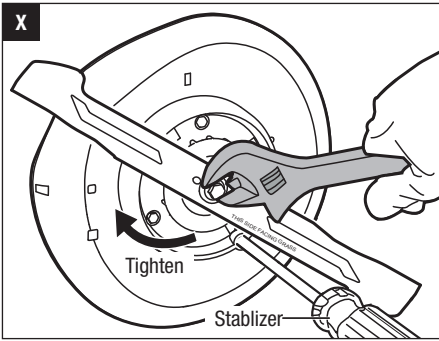
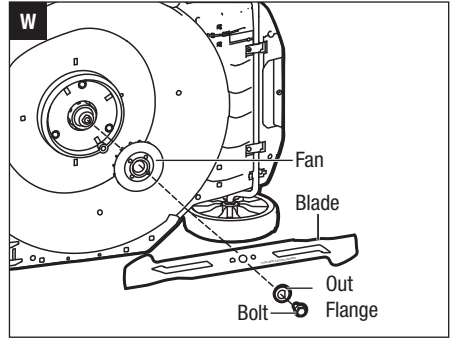
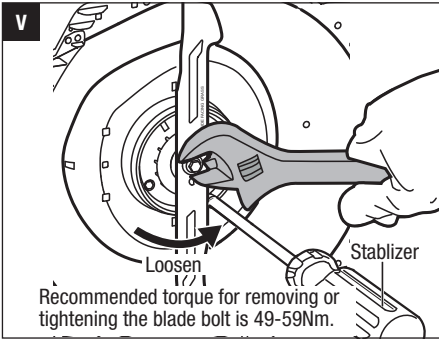
OPERATOR'S MANUAL
**56 VOLT LITHIUM-ION
CORDLESS MOWER**
MODEL NUMBER LM2110E-SP

⚠ WARNING: To reduce the risk of injury, the user must read and understand the Operator's Manual before using this product. Save these instructions for future reference.

A**B****C****D****E**







READ ALL INSTRUCTIONS!



READ OPERATOR'S MANUAL

WARNING: To ensure safety and reliability, all repairs and replacements should be performed by a qualified service technician.

Intended use & Foreseeable misuse: The product is intended for mowing grass in domestic gardens only. It must not be used to mow unusually high, dry or wet grass, e.g. pasture grass; or to shred leaves. The product is to be used only for its prescribed purpose. Any other use is deemed to be a case of misuse.

SAFETY SYMBOLS

The purpose of safety symbols is to attract your attention to possible dangers. The safety symbols and the explanations with them deserve your careful attention and understanding. The symbol warnings do not, by themselves, eliminate any danger. The instructions and warnings they give are no substitutes for proper accident prevention measures.

WARNING: Be sure to read and understand all safety instructions in this Operator's Manual, including all safety alert symbols such as **"DANGER," "WARNING,"** and **"CAUTION"** before using this tool. Failure to follow all instructions listed below may result in electric shock, fire, and/or serious personal injury.

SYMBOL MEANING

SAFETY ALERT SYMBOL: Indicates **DANGER, WARNING, OR CAUTION**, may be used in conjunction with other symbols or pictographs.

WARNING: The operation of any power tools can result in foreign objects being thrown into your eyes, which can result in severe eye damage. Before beginning power tool operation, always wear safety goggles or safety glasses with side shields and a full face shield when needed. We recommend a Wide Vision Safety Mask for use over eyeglasses or standard safety glasses with side shields.

SAFETY INSTRUCTIONS

This page depicts and describes safety symbols that may appear on this product. Read, understand, and follow all instructions on the machine before attempting to assemble and operate it.

	Safety Alert	Indicates a potential personal injury hazard.
	Read Operator's Manual	To reduce the risk of injury, user must read the operator's manual.
	Wear protective glasses and hearing protection	Always wear hearing protection, safety goggles or safety glasses with side shields and a full face shield when operating this product.
	Keep hands and feet away from the blades	Keep hands and feet away from the blades.
	Keep Bystanders Away	Ensure that other people and pets remain at least 30m away from the mower when it is in use and pay attention to the risk of injury caused by flying debris.
	Disconnect battery before maintenance	Switch off and remove detachable battery pack (or disabling device) before adjusting or cleaning.
	Noise	Guaranteed sound power level.
	Keep hand away	Keep hand away.
	CAUTION	Do not stare at operating lamp.
	The RCM is a symbol that represents compliance with Australian Standards	The RCM is a symbol that represents compliance with Australian Standards.
IPX4	Ingress Protection Degree	Protection from splashing water.
V	Volt	Voltage

A	Amperes	Current
Kg	Kilogram	Weight of the machine which is stated on the nameplate.
min	Minutes	Time
	Direct Current	Type or a characteristic of current.

GENERAL POWER TOOL SAFETY WARNINGS

⚠ WARNING: READ ALL SAFETY WARNINGS, INSTRUCTIONS, ILLUSTRATIONS AND SPECIFICATIONS PROVIDED WITH THIS MACHINE. Failure to follow all instructions listed below may result in electric shock, fire and/or serious injury.

SAVE ALL WARNINGS AND INSTRUCTIONS FOR FUTURE REFERENCE.

The term “machine” in the warnings refers to your mains-operated (corded) machine or battery-operated (cordless) machine.

WORK AREA SAFETY

- **Keep work area clean and well lit.** Cluttered or dark areas invite accidents.
- **Do not operate machines in explosive atmospheres, such as in the presence of flammable liquids, gases or dust.** Machines create sparks which may ignite the dust or fumes.
- **Keep children and bystanders away while operating a machine.** Distractions can cause you to lose control.

ELECTRICAL SAFETY

- **Machine plugs must match the outlet. Never modify the plug in any way. Do not use any adapter plugs with earthed (grounded) machines.** Unmodified plugs and matching outlets will reduce risk of electric shock.
- **Avoid body contact with earthed or grounded surfaces, such as pipes, radiators, ranges and refrigerators.** There is an increased risk of electric shock if your body is earthed or grounded.
- **Do not expose machines to rain or wet conditions.** Water entering a machine will increase the risk of electric shock.
- **Do not abuse the cord. Never use the cord for carrying, pulling or unplugging the machine. Keep cord away from heat, oil, sharp edges or moving parts.** Damaged or entangled cords increase the risk

of electric shock.

- **When operating a machine outdoors, use an extension cord suitable for outdoor use.** Use of a cord suitable for outdoor use reduces the risk of electric shock.
- **If operating a machine in a damp location is unavoidable, use a residual current device (RCD) protected supply.** Use of an RCD reduces the risk of electric shock.

PERSONAL SAFETY

- **Stay alert, watch what you are doing and use common sense when operating a machine. Do not use a machine while you are tired or under the influence of drugs, alcohol or medication.** A moment of inattention while operating machines may result in serious personal injury.
- **Use personal protective equipment. Always wear eye protection.** Protective equipment such as a dust mask, non-skid safety shoes, hard hat or hearing protection used for appropriate conditions will reduce personal injuries.
- **Prevent unintentional starting. Ensure the switch is in the off-position before connecting to power source and/or battery pack, picking up or carrying the machine.** Carrying machines with your finger on the switch or energising machines that have the switch on invites accidents.
- **Remove any adjusting key or wrench before turning the machine on.** A wrench or a key left attached to a rotating part of the machine may result in personal injury.
- **Do not overreach. Keep proper footing and balance at all times.** This enables better control of the machine in unexpected situations.
- **Dress properly. Do not wear loose clothing or jewellery. Keep your hair and clothing away from moving parts.** Loose clothes, jewellery or long hair can be caught in moving parts.
- **If devices are provided for the connection of dust extraction and collection facilities, ensure these are connected and properly used.** Use of dust collection can reduce dust-related hazards.
- **Do not let familiarity gained from frequent use of machines allow you to become complacent and ignore machine safety principles.** A careless action can cause severe injury within a fraction of a second.

MACHINE USE AND CARE

- **Do not force the machine. Use the correct machine for your application.** The correct machine will do

the job better and safer at the rate for which it was designed.

- **Do not use the machine if the switch does not turn it on and off.** Any machine that cannot be controlled with the switch is dangerous and must be repaired.
- **Disconnect the plug from the power source and/ or remove the battery pack, if detachable, from the machine before making any adjustments, changing accessories, or storing machines.** Such preventive safety measures reduce the risk of starting the machine accidentally.
- **Store idle machines out of the reach of children and do not allow persons unfamiliar with the machine or these instructions to operate the machine.** Machines are dangerous in the hands of untrained users.
- **Maintain machines and accessories. Check for misalignment or binding of moving parts, breakage of parts and any other condition that may affect the machine's operation.** If damaged, have the machine repaired before use. Many accidents are caused by poorly maintained machines.
- **Keep cutting machines sharp and clean.** Properly maintained cutting machines with sharp cutting edges are less likely to bind and are easier to control.
- **Use the machine, accessories and machine bits etc. in accordance with these instructions, taking into account the working conditions and the work to be performed.** Use of the machine for operations different from those intended could result in a hazardous situation.
- **Keep handles and grasping surfaces dry, clean and free from oil and grease.** Slippery handles and grasping surfaces do not allow for safe handling and control of the machine in unexpected situations.

BATTERY MACHINE USE AND CARE

- **Recharge only with the charger specified by the manufacturer.** A charger that is suitable for one type of battery pack may create a risk of fire when used with another battery pack.
- **Use machines only with specifically designated battery packs.** Use of any other battery packs may create a risk of injury and fire.
- **When battery pack is not in use, keep it away from other metal objects, like paper clips, coins, keys, nails, screws or other small metal objects, that can make a connection from one terminal to another.** Shorting the battery terminals together may cause burns or a fire.

- **Under abusive conditions, liquid may be ejected from the battery; avoid contact. If contact accidentally occurs, flush with water. If liquid contacts eyes, additionally seek medical help.** Liquid ejected from the battery may cause irritation or burns.
- **Do not use a battery pack or machine that is damaged or modified.** Damaged or modified batteries may exhibit unpredictable behaviour resulting in fire, explosion or risk of injury.
- **Do not expose a battery pack or machine to fire or excessive temperature.** Exposure to fire or temperature above 130 °C may cause explosion.
- **Follow all charging instructions and do not charge the battery pack or machine outside the temperature range specified in the instructions.** Charging improperly or at temperatures outside the specified range may damage the battery and increase the risk of fire.

SERVICE

- **Have your machine serviced by a qualified repair person using only identical replacement parts.** This will ensure that the safety of the machine is maintained.
- **Never service damaged battery packs.** Service of battery packs should only be performed by the manufacturer or authorized service providers.

LAWNMOWER SAFETY WARNINGS

- **Do not use the lawnmower in bad weather conditions, especially when there is a risk of lightning.** This decreases the risk of being struck by lightning.
- **Thoroughly inspect the area for wildlife where the lawnmower is to be used.** Wildlife may be injured by the lawnmower during operation.
- **Thoroughly inspect the area where the lawnmower is to be used and remove all stones, sticks, wires, bones, and other foreign objects.** Thrown objects can cause personal injury.
- **Before using the lawnmower, always visually inspect to see that the blade and the blade assembly are not worn or damaged.** Worn or damaged parts increase the risk of injury.
- **Check the grass catcher frequently for wear or deterioration.** A worn or damaged grass catcher may increase the risk of personal injury.
- **Keep guards in place. Guards must be in working order and be properly mounted.** A guard that is loose, damaged, or is not functioning correctly may result in personal injury.

- **Keep all cooling air inlets clear of debris.** Blocked air inlets and debris may result in overheating or risk of fire.
- **While operating the lawnmower, always wear non-slip and protective footwear.** Do not operate the lawnmower when barefoot or wearing open sandals. This reduces the chance of injury to the feet from contact with the moving blade.
- **While operating the lawnmower, always wear long trousers.** Exposed skin increases the likelihood of injury from thrown objects.
- **Do not operate the lawnmower in wet grass. Walk, never run.** This reduces the risk of slipping and falling which may result in personal injury.
- **Do not operate the lawnmower on excessively steep slopes.** This reduces the risk of loss of control, slipping and falling which may result in personal injury.
- **When working on slopes, always be sure of your footing, always work across the face of slopes, never up or down and exercise extreme caution when changing direction.** This reduces the risk of loss of control, slipping and falling which may result in personal injury.
- **Use extreme caution when reversing or pulling the lawnmower towards you. Always be aware of your surroundings.** This reduces the risk of tripping during operation.
- **Do not touch blades and other hazardous moving parts while they are still in motion.** This reduces the risk of injury from moving parts.
- **When clearing jammed material or cleaning the lawnmower, make sure all power switches are off and the battery pack is disconnected.** Unexpected operation of the lawnmower may result in serious trimmer personal injury
- Use only with EGO's battery packs and chargers listed below:

BATTERY PACK	CHARGER
BA1400, BA2800, BA4200, BA1400T, BA2800T, BA4200T, BA5600T, BA6720T	CH2100E, CH5500E, CH7000E

- **SAVE THESE INSTRUCTIONS.** Refer to them frequently and use them to instruct others who may use this machine. If you lend this machine to someone else, also lend these instructions to them to prevent misuse of the product and possibly injury.

SPECIFICATIONS

Model Number	LM2110E-SP
Self Propel System	Yes
Voltage	56 V
Recommended Operating Temperature	0°C-40°C
Recommended Storage Temperature	-20°C-70°C
Optimum Charging Temperature	5°C-40°C
No-Load Speed	2800 r/min
Cutting Height	25-90 mm
Cutting Height Positions	7
Deck Size	53 cm
Cutting Width	52 cm
Grass Bag Volume	70 L
Weight (without battery pack)	23 kg
Blade Model	AB2103, AB2102(Sold Separately)
Blade Brake	Yes

PACKING LIST

PART NAME	QUANTITY
Lawn mower	1
Grass bag	1
Grass bag frame	1
Mulching Insert	1
Blade	1
Operator's Manual	1

DESCRIPTION

KNOW YOUR MOWER (Fig. A & B & C & D)

1. Self-Propel Speed-Control Knob
2. Self-Propel Trigger
3. Bail Switch (Switch Lever)
4. Mower-Status Indicator
5. Rear Discharge Door
6. Rear Handle
7. Battery Compartment Cover

8. LED Headlights
9. Front Wheel
10. Rear Wheel
11. Cutting-Height Adjustment Lever
12. Quick-Adjust Lever
13. Grass Bag
14. Handle-Locking Clamp
15. Side Rail
16. Headlights Button
17. Safety Button
18. Handle
19. Mulching Insert
20. Front Handle
21. Mower Deck
22. Trailing Shield
23. Battery-Release Button

OPERATION

ASSEMBLING THE GRASS BAG

- 1) Slide the grass bag onto the frame (Fig. E).
- 2) Assemble the top clips to the frame (Fig. F). Then assemble the two side clips. Assemble the bottom clip lastly.
- 3) The completely assembled grass bag is shown in Fig. G.

ADJUSTING THE FOLDABLE HANDLE

⚠ WARNING: Do not attempt to start the mower until the handle has been locked at one of the three preset operating positions (UPPER OPERATING POSITION, MIDDLE OPERATING POSITION and LOWER OPERATING POSITION). Your mower is shipped with the handle in the compact, LOCKED STORAGE POSITION (Fig. H).

- 1) Press and hold the quick-adjust lever to release the handle from the LOCKED STORAGE POSITION.
- 2) Lift the handle from its folded position, then release the lever. Gently pivot the handle upward until you hear and feel the lock pin engage in one of the following different positions as shown in the Fig. I.

ATTACHING/REMOVING THE GRASS BAG/ MULCHING INSERT

⚠ WARNING: Do not at either time make any adjustment to the lawn mower without first stopping the motor, removing the battery pack and waiting for the

blade to stop rotating.

■ To Attach/Remove the Grass Bag (Fig. J)

Adjust the handle to the suitable operating position. Lift the rear discharge door and hook the grass bag onto the pivot rod. To remove, just lift the grass bag up, off of the pivot rod. Lastly, release the rear discharge door.

NOTICE: Remove the pre-installed mulching insert from the mower before attaching the grass bag to the mower.

NOTICE: leftover grass in the lawn mower grass bag can cause it to become overfilled and may even cause something to break. Empty the grass bag after each and every use!

■ To Attach/Remove the Mulching Insert (Fig. K)

ADJUSTING THE CUTTING HEIGHT (Fig. L)

⚠ WARNING: Keep your feet away from the deck when adjusting its height.

ATTACHING/DETACHING THE BATTERY PACK (Fig. L)

CHARGE BEFORE FIRST USE.

⚠ WARNING: If any parts are broken or missing, do not attempt to attach the battery pack to the mower or operate the mower until the broken or missing parts are replaced. Failure to do so could result in serious injury.

■ To Attach

Push the battery pack into the battery compartment until you hear a "click".

■ To Detach

Depress the battery-release button in the battery compartment.

NOTICE: Make sure that the latch on the mower snaps into place and that the battery pack is secured to the mower before starting operation.

STARTING/STOPPING THE MOWER

⚠ WARNING: The operation of any lawn mower can result in foreign objects being thrown into your or others' eyes, which can damage eyes severely. Always wear safety glasses while operating the mower, or while performing any adjustments or repairs on it.

⚠ WARNING: Do not use the mower in the rain.

⚠ WARNING: Ensure that other people and pets remain at least 30m away from the mower when it is in use.

⚠ WARNING: The blade will continue to rotate for a few seconds after the mower is turned off. Allow the motor/blade to stop rotating before starting it again. Do not rapidly turn the mower off and on.

⚠ WARNING: Stop the blade if the lawnmower has to be tilted for transportation when crossing surfaces other than grass and when transporting the lawnmower to and from the area to be mowed.

⚠ WARNING: Do not tilt the lawn mower when starting switching on the motor, except if the lawn mower has to be tilted for starting. In this case, do not tilt it more than absolutely necessary and lift only the part which is away from the operator.

NOTICE: The motor cannot be started unless:

- The side rails are fully extended (Fig. N).
- Both green handle-locking clamps are securely closed (Fig. O).
- The handle is locked into one of the three operating positions.

■ To Start

- 1) Attach the battery pack to the mower.
- 2) Depress the safety button (Fig. P).
- 3) With the safety button depressed, pull the bail switch upward to meet the handle and release the safety button (Fig. Q).

■ To Stop

- 1) Fully release the bail switch (Fig. R).
- 2) The electric brake in the Automatic Braking Mechanism will stop the blade rotation.
- 3) Stop the machine, and remove the battery pack to make sure that all moving parts have come to a complete stop after striking a foreign object, and to inspect the machine for damage and make repairs before restarting and operating the machine.
- 4) Stop the machine, and remove the battery pack to make sure that all moving parts have come to a complete stop, if the machine starts to vibrate abnormally, and then to immediately inspect for damage, replace or repair any damaged parts and to check for and tighten any loose parts.

VARIABLE-SPEED SELF-PROPEL SYSTEM

LM2110E-SP mower is equipped with variable-speed,

self-propel capability. This system is independent of the blade On/Off switch. It is not dependent on blade rotation.

For example, when you have completed cutting your lawn, you can use the self-propel to propel the mower back to your storage location without blade rotation. Or you may choose to operate the mower as a non-self-propelled mower to maximize battery running time.

To operate the self-propel system without blade rotation, turn the self-propel speed-control knob on, press the self-propel trigger(s). There are two self-propel triggers. Press either trigger to start the self-propel function (Fig. S).

To turn the self-propel off, release the self-propel trigger, turn the self-propel speed-control knob off.

LED HEADLIGHTS (Fig. T)

To turn on the headlights, press the headlights button (Fig. U).

To turn off the headlights, press the button again.

POWER INDICATOR ON THE MOWER

Mower-status indicator	Meaning	Action
Solid green	Mower is working properly; battery has at least 15% of its charge.	None required.
Flashing green	The side rails are not fully extended.	Make sure that the side rails are fully extended.
	The handle is not locked in an operating positions.	Make sure that the handle is locked in an operating positions.
Flashing red	Low battery.	Stop the mower and charge the battery pack.
Solid orange	The mower stops due to overheating.	Remove the battery from the mower, move them to the shade and cool them for at least 15 minutes.

Flashing orange	The mower is overloaded.	First, remove the battery pack, then check and clean if grass has collected beneath the deck. Slow down your pace when cutting. If this does not work, please contact EGO.
Flashing red/green alternately	Error	Contact EGO
Dark & LED on battery flashing	Battery overheat.	Release the bail switch, wait until the battery pack cools down, then restart the mower.

MOWER OVERLOAD PROTECTION

To prevent overload conditions, do not try to remove too much grass at one time. Slow down your cutting pace or raise the cut height.

Your mower has built-in overload circuit protection. When the mower is overloaded, the motor will stop and the power indicator on the mower will flash orange. Remove the battery pack from the mower. Check to see if grass has collected beneath the deck and clear it if necessary, then install the battery and restart the mower.

BATTERY HIGH TEMPERATURE PROTECTION

The battery pack will generate heat during operation. The heat dissipates more slowly in hot weather. If the battery temperature exceeds 70°C during operation, the protection circuit will immediately turn off the mower to protect the battery pack from damage. The power indicator on the mower will shine orange and the LED on the battery will flash orange. Release the bail handle, wait until the battery pack cools down to approximately 67°C, then restart the mower.

MAINTENANCE

⚠ WARNING: Before inspecting, cleaning or servicing the unit, stop the motor, wait for all moving parts to stop, and remove the battery pack. Failure to follow these instructions can result in serious personal injury or property damage.

⚠ WARNING: When servicing, use only identical replacement parts. Inspect and maintain the machine regularly. To ensure safety and reliability, all repairs should be performed by a qualified service technician.

GENERAL THE MOWER

The underside of mower deck should be cleaned after each use, as grass clippings, leaves, dirt and other debris will accumulate.

Remove any build-up of grass and leaves on or around the drive shaft and the motor fan (do not use water). Wipe the mower clean with a damp cloth.

REMOVING/INSTALLING THE BLADE

⚠ WARNING: Always protect your hands by wearing heavy gloves or wrapping the cutting edges with rags or other materials when performing any maintenance on the mower blade. Always remove the battery pack when servicing or transporting the mower.

⚠ WARNING: Be careful during adjustment of the machine to prevent entrapment of the fingers between moving blades and fixed parts of the appliance.

■ To remove the blade (Fig. V)

Place a manual screwdriver or metal rod in the stabilizer hole. This is to stop the blade from rotating while loosening the bolt.

Use a wrench (impact wrench is recommended) to turn the blade bolt counterclockwise to loosen and remove the bolt. Remove the out flange and the blade (Fig. W).

■ To install the blade (Fig. X)

Following the assembly sequence in Fig. W. Position the blade on the shaft with the surface stating "THIS SIDE FACING GRASS" facing toward the outside. Mount the bolt into the shaft and turn it clockwise.

NOTICE: The recommended torque for removing or tightening the blade bolt is 49-59Nm.

STORING THE MOWER

The following steps should be taken in order to prepare the lawn mower for storage:

- Always allow the machine to cool down before storing
- Remove the battery pack from the mower and store it in a cool, dry and clean location. Do not store it next to corrosive materials, such as fertilizer or rock salt.
- Lubricate the mower.
- Store the mower in a covered, enclosed space, that is cool and dry and out of the reach of children.
- Do not cover the lawn mower with a solid plastic sheet. Plastic coverings trap moisture around the mower, which causes rust and corrosion.
- The mower can be stored upright or flat. (Fig. Y).

⚠ WARNING: If the mower begins to tip over from

the upright position, mower damage or personal injury may result. Always keep the mower stable and out of the reach of children when it is in the upright position. If possible, lay it flat for storage.

Protecting the environment



Do not dispose of electrical appliances as unsorted municipal waste, use separate collection facilities.

Contact your local government for information regarding the collection systems available.

If electrical appliances are disposed of in landfills or dumps, hazardous substances can leak into the groundwater and get into the food chain, damaging your health and well-being.

TROUBLESHOOTING

⚠ WARNING: Always remove the battery pack when servicing or transporting the mower. Always protect your hands by wearing heavy gloves or wrapping the cutting edges with rags or other materials when performing any maintenance on the mower blade.

PROBLEM	CAUSE	SOLUTION
The mower fails to start	<ul style="list-style-type: none"> ■ The battery pack is depleted. ■ The battery pack is not mounted in place in the battery compartment. ■ The battery or mower circuitry is too hot. (The power indicator on the mower shines orange). ■ The side rails are not extended to their maximum length and the clamps are not locked in position. ■ The handle is not set at one of the three operating positions. ■ The mower deck is clogged with grass and debris. 	<ul style="list-style-type: none"> ■ Charge the battery pack. ■ Attach the battery pack to the mower; press it until you hear a click. ■ Allow the battery pack or mower to cool until the temperature drops below 67°C. ■ Fully extend the handle and lock both clamps. ■ Adjust the handle to one of the three operating positions. ■ Clean the mower deck and make certain that the blade has freedom of movement.
The mower cuts unevenly	<ul style="list-style-type: none"> ■ The blade is dull. ■ The cutting height is not set properly. ■ The blade is assembled incorrectly. 	<ul style="list-style-type: none"> ■ Sharpen or replace the blade. ■ Raise the deck to a higher cutting height setting. ■ Reassemble the blade, following the section “INSTALLING THE BLADE” in this manual.
Short running time of the mower with included battery	<ul style="list-style-type: none"> ■ Grass conditions and cutting height setting will greatly affect the battery run time. The claimed run time is based on a light load condition. 	<ul style="list-style-type: none"> ■ Raise the blade height and slow your pace to reduce the cutting load.
The mower does not mulch properly	<ul style="list-style-type: none"> ■ Wet grass clippings are sticking to the underside of the deck. ■ The mower is set to cut too much grass at once. 	<ul style="list-style-type: none"> ■ Wait until the grass dries before mowing. ■ Raise the deck to a higher cutting height setting.

PROBLEM	CAUSE	SOLUTION
The blade/motor unexpectedly stops while mowing	<ul style="list-style-type: none"> ■ The battery pack charge is depleted. ■ Mower is in overload condition. ■ Mower deck is clogged with grass and debris. ■ The battery or mower circuitry is too hot. (The power indicator on the mower shines orange for 10s). ■ The side rail is retracted a little by the pushing force applied on the handle. 	<ul style="list-style-type: none"> ■ Charge the battery pack. ■ Raise the cutting height or slow down the pace. ■ Unclog the mower deck. Raise the cutting height and/or cut a narrower swath. ■ Allow the battery pack or mower to cool until the temperature drops below 67°C. ■ Unlock the clamps. Fully extend the side rails and lock the handle-locking clamps again.
There is excessive vibration	<ul style="list-style-type: none"> ■ The cutting blade is loose. ■ The cutting blade is unbalanced. ■ The cutting blade is bent. ■ The motor shaft is bent. ■ The mower is set to cut too much grass at once. 	<ul style="list-style-type: none"> ■ Tighten the outer nut. ■ Balance the blade. ■ Replace the blade. ■ Contact the service center. ■ Raise the deck to a higher cutting-height setting.
The handle-locking clamps cannot be closed in position	<ul style="list-style-type: none"> ■ The side rails are not fully extended. 	<ul style="list-style-type: none"> ■ Fully extend the side rails, then lock the clamps.
Mower is difficult to pull back when the self-propel is turned off	<ul style="list-style-type: none"> ■ The wheels are temporarily locked. 	<ul style="list-style-type: none"> ■ Simply push the mower ahead slightly and then move the mower as desired.
Self-propel function fails to turn on when one of the self-propel triggers is pressed	<ul style="list-style-type: none"> ■ The self-propel speed-control knob is set all the way back effectively turning off the self-propel function. 	<ul style="list-style-type: none"> ■ Turn the self-propel speed-control knob slightly forward BEFORE pressing the self-propel trigger.
The motor works but the blade doesn't cut the grass	<ul style="list-style-type: none"> ■ The blade bolt is not tightened to the required torque. 	<ul style="list-style-type: none"> ■ Re-tighten the blade bolt to recommended torque of 49-59 Nm.



WARRANTY POLICY

For warranty service or to make a claim, please visit our Warranty Portal at egopowerplus.com.au/warranty-policy, alternatively you can contact EGO customer service via the following, **Australia 1300 000 346, New Zealand 0508 000 346.**

Chervon Australia Pty Ltd ABN 36 165 077 501 and Chervon New Zealand Subsidiary Ltd NZBN 9429049277616 ("Chervon") warrants to the original domestic purchaser that this product will be free from defects in materials and workmanship for 5 years from date of purchase, and any battery or charger will be free from defects in materials and workmanship for 3 years from date of purchase. Warranty for commercial use is 1 year on all product, battery and chargers. The Commercial Range Product Warranty for commercial users is 2 years for product, backpack battery (BAX1501) and commercial charger (CHX5500E). Please refer to product warranty table below for further clarification. To make a claim, call 1300 000 346 for AU or 0508 000 346 for NZ or lodge a claim via our portal link above. Any handling and transportation costs (and other expenses incurred in claiming this warranty) are not covered by this warranty and will not be borne by Chervon. The replacement product or part or repaired product will be made available for your collection at an address nominated by Chervon. Where a valid warranty claim is made, Chervon will replace the defective product or repair the fault. Where the product is repaired, Chervon may use refurbished parts. This warranty does not cover normal wear and tear, misuse or abuse (including overloading of the product beyond capacity and exposure to water or rain), accidents, neglect or lack of proper installation, and improper maintenance or storage. This warranty does not cover the damage resulting from modification, alteration or unauthorised repair. This warranty does not cover normal deterioration of the exterior finish, including but not limited to scratches, dents, paint chips, or to any corrosion or discolouring by heat, abrasive and chemical cleaners. This warranty is void if the product has been used for rental purpose. This warranty may also be further limited or voided as specifically detailed in the product Manual. Chervon has no other liability under this warranty. The benefits to you given by this warranty are in addition to other rights and remedies imposed by State and Federal legislation that cannot be excluded. Our goods come with guarantees that cannot be excluded under the Australian Consumer Law and the New Zealand Consumer Guarantee Act 1993. You are entitled to a replacement or refund for a major failure and compensation for any other reasonably foreseeable loss or damage. You are also entitled to have the goods repaired or replaced if the goods fail to be of acceptable quality and the failure does not amount to a major failure. The warranty applies to the original purchaser and applies only to purchases made from authorised EGO Dealers, which can be confirmed on the website store locator. For avoidance of doubt, 3rd party online stores such as eBay, Gumtree, Amazon, etc. are excluded.

Chervon Australia Pty Ltd, Unit 14, 5 Kelletts Rd, Rowville, VIC. 3178.

Ph Australia; 1300 000 346. Email: support@egopowerplus.com.au

Chervon New Zealand Subsidiary Ltd, 4th Floor, Smith & Caughey Building, 253 Queen St, Auckland, 1141.

Ph New Zealand; 0508 000 346. Email: support@egopowerplus.co.nz

PRODUCT WARRANTY TABLE

PRODUCT OR MODEL #	LIMITED WARRANTY FOR CONSUMER USE (PERSONAL, HOUSEHOLD USE)	LIMITED WARRANTY FOR PROFESSIONAL USE (ANY COMMERCIAL, AGRICULTURAL, INSTITUTIONAL, OR INCOME-PRODUCING USE)
EGO Power+ Outdoor Power Equipment and Portable Power Products	5 years	1 year
EGO Power+ Battery Packs and Chargers	3 years	1 year
Specific warranties apply to the products below:		
Commercial Tools: LBX6000, BCX3800, STX3800, HTX7500, CSX3000, PPX1000, PSX2500, PTX5100, BHX1001, STX4500, BCX4500, EDX2000, HTX5300-P, HTX5300-PA, LBPX8000	5 years	2 years
Commercial Backpack Battery: BAX1501	3 years	2 years
Commercial Charger: CHX5500E	3 years	2 years

