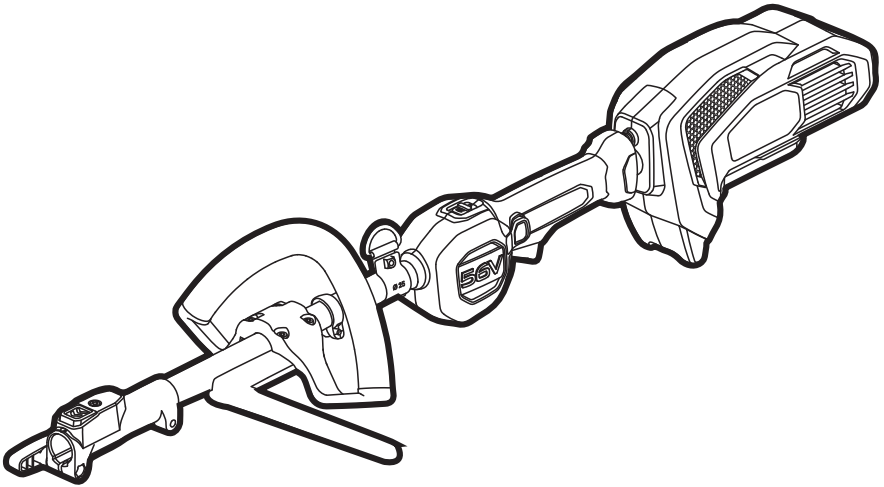


# EGO™

POWER+ POWER HEAD



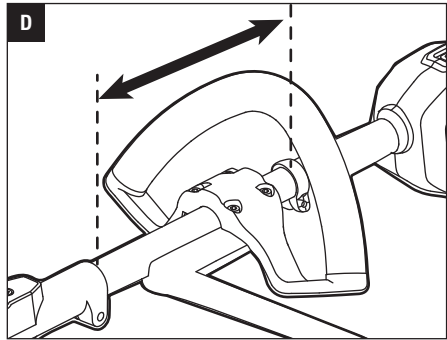
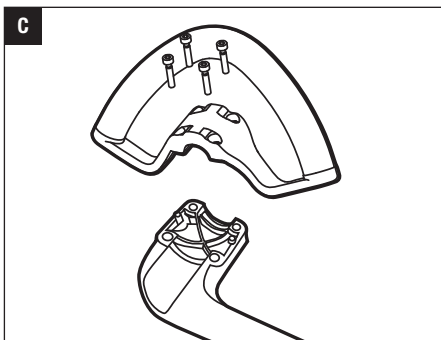
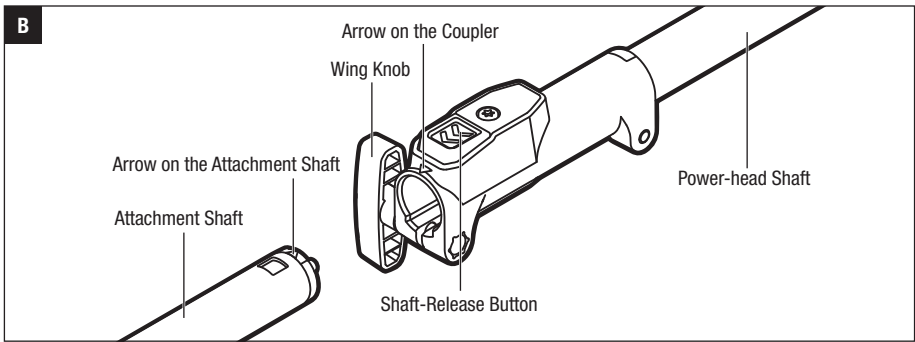
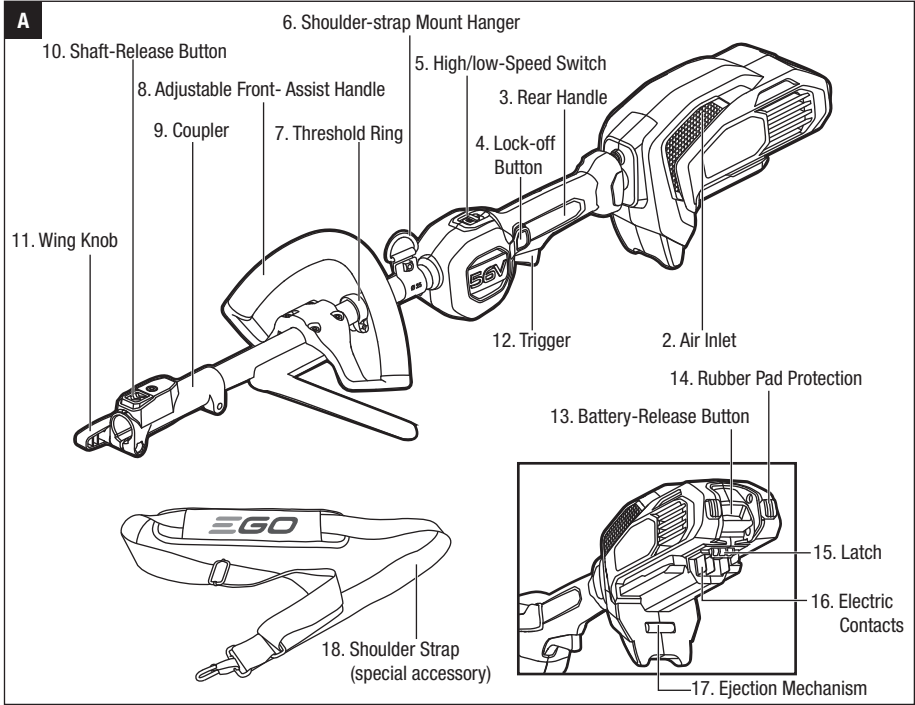
FOR USE WITH EGO POWER+POWER HEAD  
ATTACHMENTS(BCA1200, STA1500,  
EA0800, HTA2000, PSA1000)

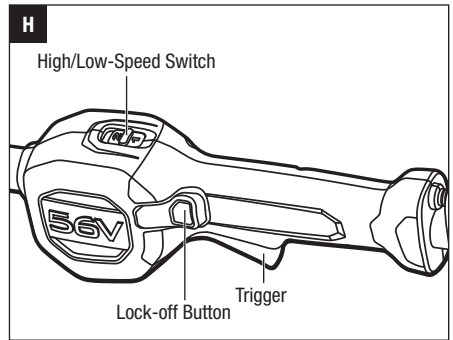
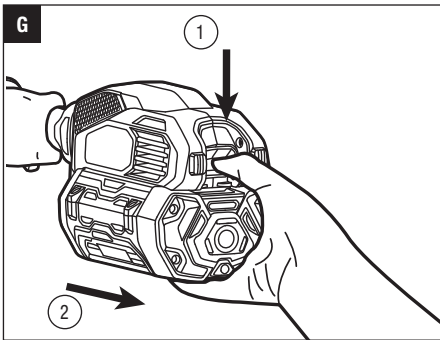
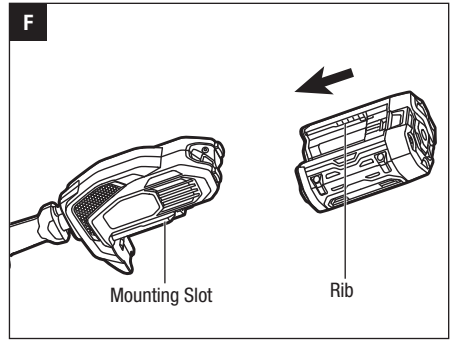
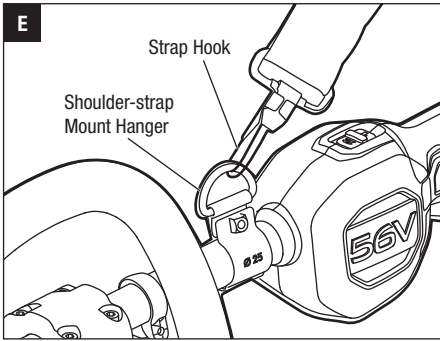
OPERATOR'S MANUAL

## 56-VOLT LITHIUM-ION CORDLESS POWER HEAD

MODEL NUMBER PH1400E

**⚠ WARNING:** To reduce the risk of injury, the user must read and understand the Operator's Manual before using this product. Save these instructions for future reference.





## READ ALL INSTRUCTIONS!



### READ OPERATOR'S MANUAL

**⚠ Residual risk!** People with electronic devices, such as pacemakers, should consult their physician(s) before using this product. Operation of electrical equipment in close proximity to a heart pacemaker could cause interference or failure of the pacemaker.

**⚠ WARNING:** To ensure safety and reliability, all repairs and replacements should be performed by a qualified service technician.

## SAFETY SYMBOLS

The purpose of safety symbols is to attract your attention to possible dangers. The safety symbols and the explanations with them deserve your careful attention and understanding. The symbol warnings do not, by themselves, eliminate any danger. The instructions and warnings they give are no substitutes for proper accident prevention measures.

**⚠ WARNING:** Be sure to read and understand all safety instructions in this Operator's Manual, including all safety alert symbols such as "DANGER," "WARNING," and "CAUTION" before using this tool. Failure to follow all instructions listed below may result in electric shock, fire, and/or serious personal injury.

## SYMBOL MEANING

**⚠ SAFETY ALERT SYMBOL:** Indicates DANGER, WARNING, OR CAUTION. May be used in conjunction with other symbols or pictographs.



**⚠ WARNING:** The operation of any power tools can result in foreign objects being thrown into your eyes, which can result in severe eye damage. Before beginning power tool operation, always wear safety goggles or safety glasses with side shields and a full face shield when needed. We recommend a Wide Vision Safety Mask for use over eyeglasses or standard safety glasses with side shields.

## SAFETY INSTRUCTIONS

This page depicts and describes safety symbols that may appear on this product. Read, understand, and follow all instructions on the machine before attempting to assemble and operate it.

	Safety Alert	Indicates a potential personal injury hazard.
	Read operator's manual	To reduce the risk of injury, user must read and understand operator's manual before using this product.
	Wear Eye Protection	Always wear safety goggles or safety glasses with side shields and a full face shield when operating this product.
IPX4	Ingress Protection Degree	Protection from splashing water
V	Volt	Voltage
mm	Millimeter	Length or size
cm	Centimeter	Length or size
in.	Inch	Length or size
kg	Kilogram	Weight
lb	Pound	Weight
	Direct Current	Type or a characteristic of current

## GENERAL POWER TOOL SAFETY WARNINGS

**⚠ WARNING:** Read all safety warnings and instructions. Failure to follow the warnings and instructions may result in electric shock, fire and/or serious injury.

### Save all warnings and instructions for future reference.

The term "power tool" in the warnings refers to your mains-operated (corded) power tool or battery-operated (cordless) power tool.

## WORK AREA SAFETY

- **Keep work area clean and well lit.** Cluttered or dark areas invite accidents.
- **Do not operate power tools in explosive atmospheres, such as in the presence of flammable liquids, petrol or dust.** Power tools create sparks which may ignite the dust or fumes.
- **Keep children and bystanders away while operating a power tool.** Distractions can cause you to lose control.

## ELECTRICAL SAFETY

- **Power tool plugs must match the outlet. Never modify the plug in anyway. Do not use any adaptor plugs with earthed (grounded) power tools.** Unmodified plugs and matching outlets will reduce risk of electric shock.
- **Avoid body contact with earthed or grounded surfaces, such as pipes, radiators, ranges and refrigerators.** There is an increased risk of electric shock if your body is earthed or grounded.
- **Do not expose power tools to rain or wet conditions.** Water entering a power tool will increase the risk of electric shock.
- **Do not abuse the cord. Never use the cord for carrying, pulling or unplugging the power tool. Keep cord away from heat, oil, sharp edges or moving parts.** Damaged or entangled cords increase the risk of electric shock.
- **When operating a power tool outdoors, use an extension cord suitable for outdoor use.** Use of a cord suitable for outdoor use reduces the risk of electric shock.
- **If operating a power tool in a damp location is unavoidable, use a Ground-fault circuit interrupter protected supply.** Use of GFCI reduces the risk of electric shock.

## PERSONAL SAFETY

- **Stay alert, watch what you are doing and use common sense when operating a power tool. Do not use a power tool while you are tired or under the influence of drugs, alcohol, or medication.** A moment of inattention while operating power tools may result in serious personal injury.
- **Use personal protective equipment. Always wear eye protection.** Protective equipment such as dust mask, non-skid safety shoes, hard hat, or hearing protection used for appropriate conditions will reduce personal injuries.

- **Prevent unintentional starting. Ensure the switch is in the off-position before connecting to power source and/or battery pack, picking up or carrying the tool.** Carrying power tools with your finger on the switch or energising power tools that have the switch on invites accidents.
- **Remove any adjusting key or wrench before turning the power tool on.** A wrench or a key left attached to a rotating part of the power tool may result in personal injury.
- **Do not overreach. Keep proper footing and balance at all times.** This enables better control of the power tool in unexpected situations.
- **Dress properly. Do not wear loose clothing or jewelry. Keep your hair, clothing and gloves away from moving parts.** Loose clothes, jewelry or long hair can be caught in moving parts.
- **If devices are provided for the connection of dust extraction and collection facilities, ensure these are connected and properly used.** Use of dust devices can reduce dust-related hazards.

## POWER TOOL USE AND CARE

- **Do not force the power tool. Use the correct power tool for your application.** The correct power tool will do the job better and safer at the rate for which it was designed.
- **Do not use the power tool if the switch does not turn it on and off.** Any power tool that cannot be controlled with the switch is dangerous and must be repaired.
- **Disconnect the plug from the power source and/or the battery pack from the power tool before making any adjustments, changing accessories, or storing power tools.** Such preventive safety measures reduce the risk of starting the power tool accidentally.
- **Store idle power tools out of the reach of children and do not allow persons unfamiliar with the power tool or these instructions to operate the power tool.** Power tools are dangerous in the hands of untrained users.
- **Maintain power tools. Check for misalignment or binding of moving parts, breakage of parts and any other condition that may affect the power tool's operation. If damaged, have the power tool repaired before use.** Many accidents are caused by poorly maintained power tools.
- **Keep cutting tools sharp and clean.** Properly maintained cutting tools with sharp cutting edges are less likely to bind and are easier to control.

- Use the power tool, accessories and tool bits etc. in accordance with these instructions, taking into account the working conditions and the work to be performed. Use of the power tool for operations different from those intended could result in a hazardous situation.
- This 56V power head PH1400E may be used with only the following EGO attachments or subsequently introduced by EGO for use with this power head:

ATTACHMENT TYPE	MODEL NUMBER
Edger	EA0800
Brushcutter	BCA1200
Line Trimmer	STA1500
Pole Saw	PSA1000
Pole Hedge Trimmer	HTA2000

### BATTERY TOOL USE AND CARE

- Recharge only with the charger specified by the manufacturer. A charger that is suitable for one type of battery pack may create a risk of fire when used with another battery pack.
- Use power tools only with specifically designated battery packs listed below. Use of any other battery packs may create a risk of injury and fire.

BATTERY	CHARGER
BA1120E, BA1400, BA2240E, BA2800, BA3360, BA4200 (BA3360 & BA4200 are not applicable when equipped with brushcutter attachment)	CH5500E, CH2100E

- When battery pack is not in use, keep it away from other metal objects, like paper clips, coins, keys, nails, screws or other small metal objects that can make a connection from one terminal to another. Shorting the battery terminals together may cause burns or a fire.
- Under abusive conditions, liquid may be ejected from the battery; avoid contact. If contact accidentally occurs, flush with water. If liquid contacts eyes, additionally seek medical help. Liquid ejected from the battery may cause irritation or burns.

### SERVICE

- Have your power tool serviced by a qualified repair person using only identical replacement parts. This will ensure that the safety of the power tool is maintained.
- If situations occur that are not covered in this manual, use care and good judgment. Contact the EGO Service Center for assistance.

### SAVE THESE INSTRUCTIONS

ADDITIONAL SPECIFIC SAFETY RULES CAN BE FOUND IN THE APPLICABLE ATTACHMENT'S OPERATOR'S MANUAL

### SPECIFICATIONS

Voltage	56 V ---
Weight (Without battery pack)	2.73 kg

### PACKING LIST

PART NAME	QUANTITY
Power Head	1
Adjustable Front-Assist Handle	1
Shoulder Strap	1
Hex Wrench	1
Operator's Manual	1

### DESCRIPTION

#### KNOW YOUR POWER HEAD (Fig. A)

1. Air Outlet
2. Air Inlet
3. Rear Handle
4. Lock-off Button
5. High/low-Speed Switch
6. Shoulder-strap Mount Hanger
7. Threshold Ring
8. Adjustable Front-Assist Handle
9. Coupler
10. Shaft-Release Button
11. Wing Knob
12. Trigger
13. Battery-Release Button
14. Rubber Pad Protection
15. Latch
16. Electric Contacts
17. Ejection Mechanism
18. Shoulder Strap (special accessory)

## ASSEMBLY

**⚠ WARNING:** If any parts are damaged or missing, do not operate this product until the parts are replaced. Use of this product with damaged or missing parts could result in serious personal injury.

**⚠ WARNING:** Always remove the battery pack from the product when you are assembling parts, making adjustments, cleaning, or when the product is not in use.

### INSTALLING AN ATTACHMENT TO THE POWER HEAD

**⚠ WARNING:** Read and understand entire Operator's Manual for each optional attachment used on this power head and follow all warnings and instructions. Failure to follow all instructions could result in electric shock, fire and/or serious personal injury.

**⚠ WARNING:** This 56V power head PH1400E is designed to be used only with the EGO attachment models that are specified in this Operator's Manual or subsequently introduced by EGO for use with this power head. Use of other, unauthorised attachments could cause serious personal injuries or property damage.

**⚠ WARNING:** Never install, remove, or adjust any attachment while the power head is running or with the battery installed. Failure to stop the motor and remove the battery can cause serious personal injury.

### NEVER OPERATE THE POWER HEAD WITHOUT AN ATTACHMENT.

The attachment connects to the power head by means of a coupler device.

1. Stop the motor and remove the battery pack.
2. Loosen the wing knob.
3. Remove the end cap from the attachment. Align the arrow on the attachment shaft with the arrow on the coupler and push the attachment shaft into the coupler until you hear a clear "click" sound, which indicates that the attachment shaft is mounted into place (Fig. B).
4. Pull the shaft of the attachment to verify it is securely locked into the coupler. If not, rotate the attachment shaft from side to side in the coupler until it snaps into place.
5. Tighten the wing knob securely.

**⚠ WARNING:** Be certain the wing knob is fully tightened before operating equipment; check it periodically for tightness during use to avoid serious personal injury.

### REMOVING THE ATTACHMENT FROM THE POWER HEAD

1. Stop the motor and remove the battery pack.
2. Loosen the wing knob.
3. Press the shaft-release button, with the button depressed, pull or twist the attachment shift out of the coupler.

### MOUNTING AND ADJUSTING THE FRONT-ASSIST HANDLE

1. Stop the motor and remove the battery pack, if installed.
2. Loosen the four screws in the front-assist handle with the supplied hex wrench and remove the screws and lower clamp from the front-assist handle (Fig. C).
3. Attach the front-assist handle and lower clamp on the power-head shaft between the threshold ring and the coupler (Fig. D). Secure them by pretightening the four screws. Turn the front-assist handle upwards so that it points toward the top of the rear handle.
4. Adjust the front-assist handle position between the rear handle housing and the coupler on the power-head shaft.
5. Tighten the four screws so that the handle cannot be rotated on the shaft.

**⚠ WARNING:** Never operate the tool without the front-assist handle firmly in place.

### MOUNTING THE SHOULDER STRAP

Depress the strap hook to open it and attach it onto shoulder-strap mount hanger on the power head (Fig. E).

## OPERATION

**⚠ WARNING:** Do not allow familiarity with this product to make you careless. Remember that a careless fraction of a second is sufficient to inflict serious injury.

**⚠ WARNING:** Always wear eye protection. Failure to do so could result in objects being thrown into your eyes and other possible serious injuries.

**⚠ WARNING:** Do not use any attachments or accessories not recommended by the manufacturer of this product. The use of attachments or accessories not recommended can result in serious personal injury.

**⚠ WARNING: NEVER OPERATE THE POWER HEAD WITHOUT AN ATTACHMENT.**

## INSTALLING/REMOVING THE BATTERY PACK

**NOTE:** Fully charge the battery pack before first use.

### To Install

Align the battery ribs with the mounting slots and press the battery pack down until you hear a “click” (Fig. F).

### To Remove

Depress the battery-release button and pull the battery pack out (Fig. G).

**⚠ WARNING:** To avoid serious personal injury, always remove the battery pack and keep hands clear of the lock-off button and trigger when carrying or transporting the tool.

## STARTING/STOPPING THE POWER HEAD (Fig. H)

### To Start

Press down the lock-off button and hold it in that position. Depress the trigger to turn on the power head. Different pressure on the trigger results in variable rotating speed of the power head. More pressure, higher speed.

### To Stop

Release the trigger.

**NOTICE:** The motor runs only when the lock-off button and trigger are both pressed.

## Speed Adjustment Function (Fig. H)

The power head has two speeds. Position “1” is for low speed while Position “2” for high speed. Push or pull the high/low-speed switch to choose the suitable speed during operation.

## MAINTENANCE

**⚠ WARNING:** Before inspecting, cleaning or servicing the unit, stop the motor, wait for all moving parts to stop, and remove the battery pack. Failure to follow these instructions can result in serious personal injury or property damage.

**⚠ WARNING:** When servicing, use only identical replacement parts. Use of any other parts can create a hazard or cause product damage. To ensure safety and reliability, all repairs, other than the items listed in these maintenance instructions, should be performed by a qualified service technician.

**NOTICE:** Before each use, inspect the entire product for damaged, missing, or loose parts such as screws, nuts, bolts, caps, etc. Tighten securely all fasteners and caps and do not operate this product until all missing or damaged parts are replaced. Please contact customer service or a qualified service technician.

## GENERAL MAINTENANCE

Avoid using solvents when cleaning plastic parts. Most plastics are susceptible to damage from various types of commercial solvents and may be damaged by their use. Use clean cloths to remove dirt, dust, oil, grease, etc.

## CLEANING THE POWER HEAD

1. Stop the motor and remove the battery pack.
2. Clean dirt and debris from the power head using a damp cloth with a mild detergent.

**NOTICE:** Do not use any strong detergents on the plastic housing or the handle. They can be damaged by certain aromatic oils such as pine and lemon.

## STORING THE POWER HEAD

1. Remove the battery pack from the power head before storing.
2. Clean all foreign material from the power head.
3. Store it in a place that is inaccessible to children.
4. Keep away from corrosive agents such as garden chemicals and de-icing salts.

## Protecting the environment



Do not dispose of electrical appliances as unsorted municipal waste, use separate collection facilities.

Contact your local government for information regarding the collection systems available.

If electrical appliances are disposed of in landfills or dumps, hazardous substances can leak into the groundwater and get into the food chain, damaging your health and well-being.

## TROUBLESHOOTING

See the applicable attachment’s operator’s manual.



---

## WARRANTY

### EGO WARRANTY POLICY

5 year warranty on EGO outdoor power equipment and 3 year warranty on EGO Power+ System battery packs and chargers.

**Please contact EGO customer service on Australia 1300 000 EGO(1300 000 346), New Zealand 0508 000 EGO (0508 000 346) any time you have questions or warranty claims.**

### LIMITED SERVICE WARRANTY

FOR FIVE YEARS from the date of original retail purchase, this EGO product is warranted against defects in material or workmanship. Defective product will receive free repair.

FOR THREE YEARS from the date of original retail purchase, the EGO Power+ System battery pack and charger are warranted against defects in material or workmanship. Defective product will receive free repair.

This warranty does not cover routine maintenance parts and consumables that can wear out from normal use within the warranty period.

- This warranty applies only to the original purchaser at retail and may not be transferred.
- The warranty period for any EGO product or part used for industrial, professional or commercial purpose is one year.
- This warranty is void if the product has been used for rental purpose.
- This warranty does not cover the damage resulting from modification, alteration or unauthorised repair.
- This warranty only covers defects arising under normal usage and does not cover any malfunction, failure or defect resulting from misuse, abuse (including overloading of the product beyond capacity and exposure to water or rain), accidents, neglect or lack of proper installation, and improper maintenance or storage.
- This warranty does not cover normal deterioration of the exterior finish, including but not limited to scratches, dents, paint chips, or to any corrosion or discoloring by heat, abrasive and chemical cleaners.

## HOW TO OBTAIN SERVICE

For warranty service, please contact EGO customer service on Australia 1300 000 EGO(1300 000 346), New Zealand 0508 000 EGO (0508 000 346). When requesting warranty service, you must present the original dated sales receipt. An authorized service center will be selected to repair the product according to the stated warranty terms.

### ADDITIONAL LIMITATIONS

Chervon Australia Pty Ltd ABN 36 165 077 501 (“Chervon”) warrants to the original domestic purchaser that this product will be free from defects in materials and workmanship for 5 years from date of purchase, and any battery or charger will be free from defects in materials and workmanship for 3 years from date of purchase. To make a claim, return the faulty item together with proof of purchase directly to your closest service agent or to the place of purchase. Any handling and transportation costs (and other expenses incurred in claiming this warranty) are not covered by this warranty and will not be borne by Chervon. The replacement product or part or repaired product will be made available for your collection at an address nominated by Chervon. Where a valid warranty claim is made, Chervon will replace the defective product or repair the fault. Where the product is repaired, Chervon may use refurbished parts. This warranty does not cover normal wear and tear, misuse or abuse. This warranty may also be further limited or voided as specifically detailed in the product Manual. Chervon has no other liability under this warranty. The benefits to you given by this warranty are in addition to other rights and remedies imposed by State and Federal legislation that cannot be excluded. Our goods come with guarantees that cannot be excluded under the Australian Consumer Law. You are entitled to a replacement or refund for a major failure and compensation for any other reasonably foreseeable loss or damage. You are also entitled to have the goods repaired or replaced if the goods fail to be of acceptable quality and the failure does not amount to a major failure. Chervon Australia Pty Ltd, Unit 13, 1488 Ferntree Gully Rd, Knoxfield, VIC. 3180. Phone Number: Australia 1300 000 EGO(1300 000 346), New Zealand 0508 000 EGO (0508 000 346). Email address: support@egopowerplus.com.au.





