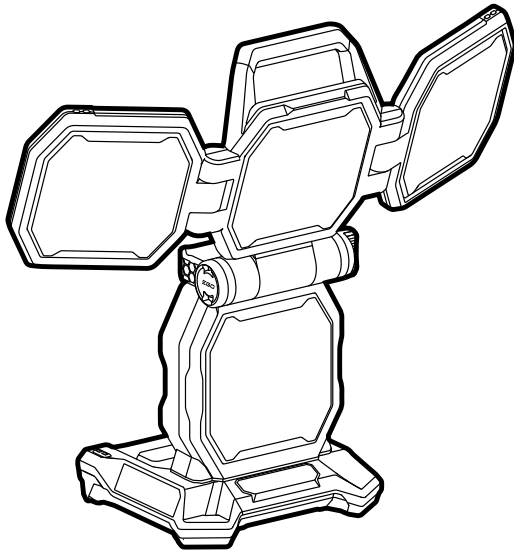


# EGO™

POWER<sup>+</sup> LIGHT

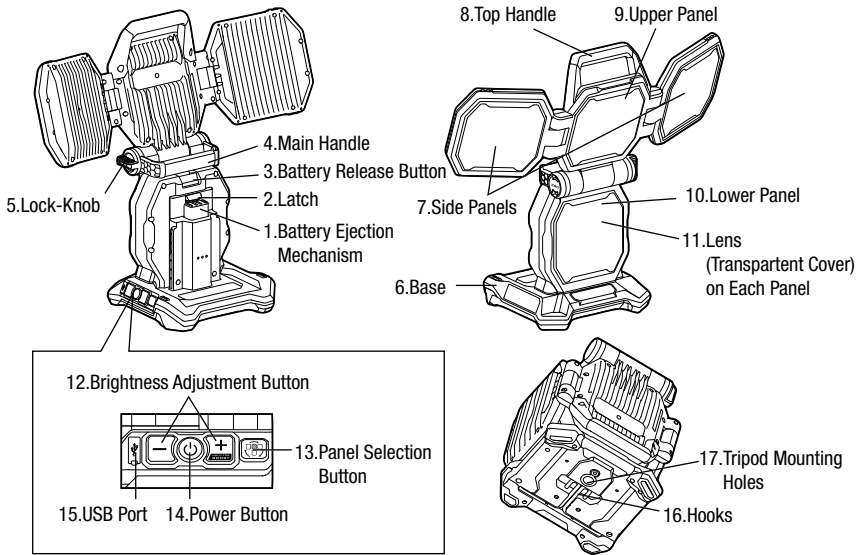
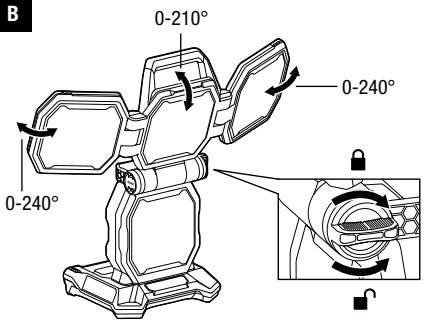
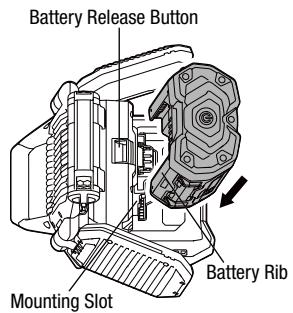
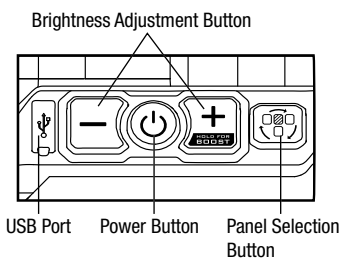
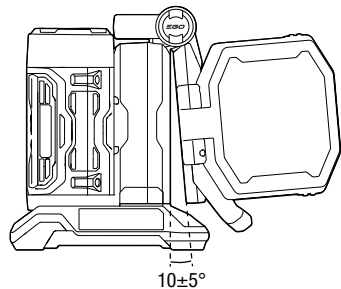


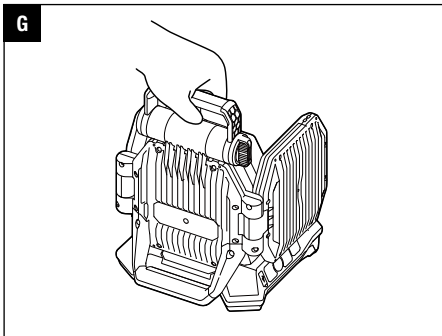
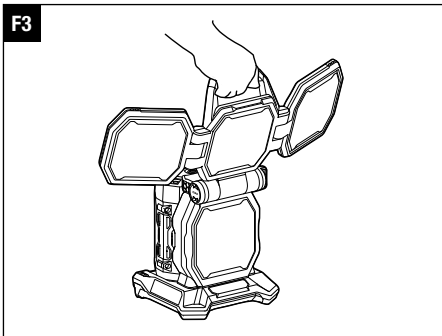
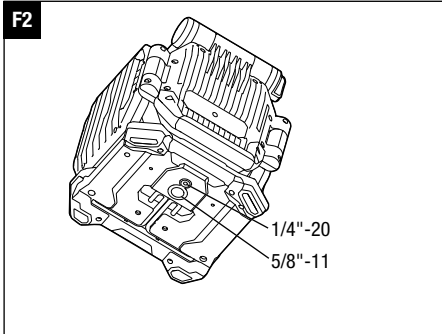
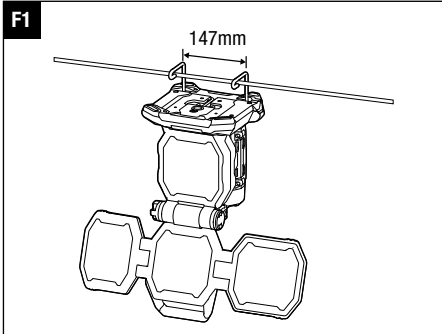
OPERATOR'S MANUAL

## 56 VOLT LITHIUM-ION CORDLESS PORTABLE AREA LIGHT

MODEL NUMBER LT1000E

**⚠ WARNING:** To reduce the risk of injury, the user must read and understand the Operator's Manual before using this product. Save these instructions for future reference.

**A****B****C****D****E**



## READ ALL INSTRUCTIONS!



### READ OPERATOR'S MANUAL

**NOTICE:** These instructions shall also be available in an alternative format, e.g. on a website.

**WARNING:** To ensure safety and reliability, all repairs and replacements should be performed by a qualified service technician.

## SAFETY SYMBOLS

The purpose of safety symbols is to attract your attention to possible dangers. The safety symbols and the explanations with them deserve your careful attention and understanding. The symbol warnings do not, by themselves, eliminate any danger. The instructions and warnings they give are no substitutes for proper accident prevention measures.

**WARNING:** Be sure to read and understand all safety instructions in this Operator's Manual, including all safety alert symbols such as **"DANGER"**, **"WARNING"**, and **"CAUTION"** before using this tool. Failure to follow all instructions listed below may result in electric shock, fire, and/or serious personal injury.

## SAFETY INSTRUCTIONS

This page depicts and describes safety symbols that may appear on this product. Read, understand, and follow all instructions on the machine before attempting to assemble and operate it.

	Safety Alert	Precautions that involve your safety.
	Read & Understand Operator's Manual	To reduce the risk of injury, user must read and understand the operator's manual before using this product.
	Light Beam	Do not stare into the light beam.
	Hot Surface	Risk of burns. Do not touch hot surface.

	Class III	Protection against electric shock.
	WEEE	Waste electrical products should not be disposed of with household waste. Take to an authorized recycler.
	Direct Current	Type or a characteristic of current
V	Volt	Voltage
min	Minutes	Time
A	Amperes	Current
mm	Millimeters	Length of size
lm	Lumens	Luminous flux
h	Hours	Time

When using an electrical appliance, basic precautions should always be followed, including the following:

### GENERAL SAFETY WARNINGS

- Handle the light with care.
- Do not direct the light beam at persons or animals and do not stare into the light beam yourself (not even from a distance).
- Do not cover off the lamp head while operating the light (the lamp head heats up during operation and can cause burns when the heat accumulates).

### BATTERIES

- The battery supplied is partially charged (to ensure full capacity of the battery, completely charge the battery in the battery charger before using your power tool for the first time).
- Do not use battery when damaged; it should be replaced immediately.
- Do not disassemble the battery.
- Do not expose tool/battery to rain.
- Use only with battery packs and chargers listed below.

BATTERY PACKS	CHARGERS
BA1400, BA2800, BA4200, BA1400T, BA2800T, BA4200T, BA5600T, BA6720T	CH2100E, CH5500E, CH7000E

The light source of this light is not replaceable; when the light source reaches its end of life the whole light shall be replaced.

**SAVE THESE INSTRUCTIONS!**

## SPECIFICATIONS

Voltage	56 V
Brightness level: Luminous Flux/Brightness (4 panels combined) & Approximate run time (4 panels with EGO 56V 5.0 Ah Battery)	Level 1: 600 lm, 36 h Level 2: 1,600 lm, 16 h Level 3: 3,200 lm, 8 h Level 4: 4,800 lm, 5 h Level 5: 6,400 lm, 4 h Boost: 10,000 lm, 3 h*
Weight (without battery pack)	4.3 kg

\* The light will illuminate at 10,000 lm in ambient temperature 25°C for about 1 hour and will run for 2 more hours in brightness level 5. Please note that the 1 hour run time is entirely dependent on ambient temperature. In a cooler environment the “BOOST” mode (10,000lm) will have longer run time, but in a very hot environment the “BOOST” mode (10,000lm) will have a shorter run time.

## PACKING LIST

PART NAME	QUANTITY
Area light	1

## DESCRIPTION

### KNOW YOUR PORTABLE AREA LIGHT (Fig. A)

- Battery Ejection Mechanism
- Latch
- Battery Release Button
- Main Handle
- Lock-Knob
- Base
- Side Panels
- Top Handle

- Upper Panel
- Lower Panel
- Lens (Transparent Cover) on Each Panel
- Brightness Adjustment Button
- Panel Selection Button
- Power Button
- USB Port
- Hooks
- Tripod Mounting Holes

**⚠ WARNING:** The safe use of this product requires an understanding of the information on the tool and in this instruction manual as well as knowledge of the project you are attempting. Before use of this product, familiarize yourself with all operating features and safety rules.

## OPERATION

**⚠ WARNING:** Do not use any attachments or accessories not recommended by the manufacturer of this product. The use of attachments or accessories not recommended can result in serious personal injury.

Before each use, inspect the entire product for damaged, missing, or loose parts, such as screws, nuts, bolts, caps, etc. Tighten securely all fasteners and caps and do not operate this product until all missing or damaged parts are replaced.

### APPLICATION

You may use this product for flood lighting, area lighting and emergency lighting.

### PIVOTING THE LIGHT PANELS (Fig. B)

- Unfold the side panels and turn the lock-knob counterclockwise to release the upper panel.
- Rotate the lock-knob clockwise to secure the upper panel to desired angle and pivot the side panels to desired angles.

### ATTACHING/DETACHING THE BATTERY PACK (Fig. C)

Fully charge before first use.

#### To attach

Align the battery ribs with the mounting slots and press the battery pack down until you hear a “click”.

#### To detach

Depress the battery release button and pull the battery pack out.

## OPERATING THE CONTROL INTERFACE (Fig. D)

**NOTICE:** When the area light is turned on, it remembers the last active panel selection and restores upon restart. However, the brightness setting always resets to the default lowest brightness level 1 (600lm).

### Power button

Press the power button briefly to turn the light ON.

Press the power button briefly again to turn the light OFF.

### Brightness adjustment

- Press the “+” button to increase the brightness and press the “-” button to decrease the brightness.
- Press and hold the “+” button for 2-3 seconds to start the “BOOST” mode, i.e. the maximum brightness.
- When in “BOOST” mode:
  - Press the “-” button and the brightness will return to the previous level.
  - To prevent overheating, the light will automatically shift down to the brightness level 5 (6,400lm) after about an hour of operation in “BOOST” mode. If this happens, allow the light to cool down and try to activate the “BOOST” mode again.

### Panel selection

- Press the “PANEL SELECT” button to toggle between:
  - All four panels are on;
  - Only the side panels and the upper panel are on;
  - Only the upper panel is on.
- Press and hold the “PANEL SELECT” button for 2-3 seconds to start the “Emergency” mode, i.e. all FOUR panels will be flashing.
- When in “Emergency” mode, pressing any button (except the power button) restores the light to its previous brightness setting and panel selection.

### USB port

The USB port provides charging power of 5 Volts DC at up a combined draw of 1.5 Amperes for your USB devices.

## AUTOMATIC SHUTOFF (Fig. E)

This area light features an automatic shutoff switch that will turn the light off if upper panel is folded within  $10\pm 5^\circ$  from the lower panel.

## USING THE LIGHT (Fig. F1-F3)

**⚠ WARNING:** Ensure the light is securely installed to prevent falling object hazard. Failure to follow the instruction can result in serious personal injury.

- To hang the light, pull out the hooks located in the base of the unit and hang the light upside down.

- To mount the light to a tripod (not included), secure the tripod screw to one of the tripod mounting holes on the bottom of the base.
- For portable illumination, carry the light by top handle.

## MAINTENANCE

**⚠ WARNING:** When servicing, use only identical replacement parts. Use of any other parts may create a hazard or cause product damage. To ensure safety and reliability, all repairs should be performed by a qualified service technician.

**⚠ WARNING:** To avoid serious personal injury, always remove the battery pack from the product when cleaning or performing any maintenance.

## GENERAL MAINTENANCE

Avoid using solvents when cleaning plastic parts. Most plastics are susceptible to damage from various types of commercial solvents and may be damaged by their use. Use clean cloths to remove dirt, dust, oil, grease, etc.

**⚠ WARNING:** Do not at any time let brake fluids, petrol, petroleum-based products, penetrating oils, etc., come in contact with plastic parts. Chemicals can damage, weaken or destroy plastic which may result in serious personal injury.

## TRANSPORTING THE UNIT (Fig. G)

1. Fold the panels and hooks into storage position.
2. Carry the light by the main handle. Main handle can be pivoted within  $215^\circ$  range and fixed at a desired angle by the lock-knob if necessary.

## STORING THE UNIT

1. Fold the panels and hooks into storage position.
2. Store the light in a dry, well-ventilated area, out of the reach of the children. Do not store the light on or adjacent to fertilizers, gasoline, or other chemicals.

## Protecting the environment



Do not dispose of electrical appliances as unsorted municipal waste, use separate collection facilities.

Contact your local government for information regarding the collection systems available.

If electrical appliances are disposed of in landfills or dumps, hazardous substances can leak into the groundwater and get into the food chain, damaging your health and well-being.

## TROUBLESHOOTING

PROBLEM	CAUSE	SOLUTION
The light does not work.	<ul style="list-style-type: none"> <li>■ Low battery capacity.</li> <li>■ Battery pack is not attached to the light.</li> <li>■ The light features an automatic shutoff switch that prevents the light from being turned on when the upper panel is folded.</li> <li>■ Other unidentified causes.</li> </ul>	<ul style="list-style-type: none"> <li>■ Charge battery pack.</li> <li>■ Attach battery pack to light correctly.</li> <li>■ Unfold the upper panel to an angle over 15°.</li> <li>■ Contact EGO service center for repair.</li> </ul>
The light in “BOOST” mode shifts down to a lower brightness over time.	<ul style="list-style-type: none"> <li>■ This is a safety feature to prevent the light from overheating.</li> </ul>	<ul style="list-style-type: none"> <li>■ Allow the light to cool down and try to reactivate the “BOOST” mode by pressing and holding the “+” button for 2-3 seconds.</li> </ul>
The USB device cannot be charged via the USB port.	<ul style="list-style-type: none"> <li>■ The user didn’t turn on the light before charging the USB device.</li> </ul>	<ul style="list-style-type: none"> <li>■ Briefly press the power button to turn on the light – this will activate the USB port. Even if the light is turned off during USB charging process, the connected USB device will continue charging for about 2 hours.</li> </ul>
The light turns off suddenly during use.	<ul style="list-style-type: none"> <li>■ The light features an automatic shutoff switch that will turn the light off if upper panel is folded <math>10\pm 5^\circ</math> from the lower panel.</li> </ul>	<ul style="list-style-type: none"> <li>■ Make sure the upper panel is unfolded to an angle over 15°.</li> </ul>
The main handle could not be rotated.	<ul style="list-style-type: none"> <li>■ The handle is fixed by the lock-knob.</li> </ul>	<ul style="list-style-type: none"> <li>■ Rotate the lock-knob counterclockwise to loosen the main handle.</li> </ul>



## WARRANTY

### EGO WARRANTY POLICY

5 year warranty on EGO outdoor power equipment and 3 year warranty on EGO Power+ System battery packs and chargers.

**Please contact EGO Customer Service on Australia 1300 000 EGO(1300 000 346), New Zealand 0508 000 EGO (0508 000 346) any time you have questions or warranty claims.**

### LIMITED SERVICE WARRANTY

FOR FIVE YEARS from the date of original retail purchase, this EGO product is warranted against defects in material or workmanship. Defective product will receive free repair.

FOR THREE YEARS from the date of original retail purchase, the EGO Power+ System battery pack and charger are warranted against defects in material or workmanship. Defective product will receive free repair.

This warranty does not cover routine maintenance parts and consumables that can wear out from normal use within the warranty period.

- This warranty applies only to the original purchaser from an authorised EGO retailer and may not be transferred.
- The warranty period for any EGO product or part used for industrial, professional or commercial purpose is one year.
- This warranty is void if the product has been used for rental purpose.
- This warranty does not cover the damage resulting from modification, alteration or unauthorised repair.
- This warranty only covers defects arising under normal usage and does not cover any malfunction, failure or defect resulting from misuse, abuse (including overloading of the product beyond capacity and immersion in water or other liquid), accidents, neglect or lack of proper installation, and improper maintenance or storage.
- This warranty does not cover normal deterioration of the exterior finish, including but not limited to scratches, dents, paint chips, or to any corrosion or discoloring by heat, abrasive and chemical cleaners.

## HOW TO OBTAIN SERVICE

For warranty service, please contact EGO customer service on Australia 1300 000 EGO(1300 000 346 ). New Zealand 0508 000 EGO (0508 000 346).When requesting warranty service, you must present the original dated sales receipt. An authorised service center will be selected to repair the product according to the stated warranty terms.

### ADDITIONAL LIMITATIONS

Chervon Australia Pty Ltd ABN 36 165 077 501 (“Chervon”) warrants to the original domestic purchaser that this product will be free from defects in materials and workmanship for 5 years from date of purchase, and any battery or charger will be free from defects in materials and workmanship for 3 years from date of purchase. To make a claim, return the faulty item together with proof of purchase directly to your closest service agent or to the place of purchase. Any handling and transportation costs (and other expenses incurred in claiming this warranty) are not covered by this warranty and will not be borne by Chervon. The replacement product or part or repaired product will be made available for your collection at an address nominated by Chervon. Where a valid warranty claim is made, Chervon will replace the defective product or repair the fault. Where the product is repaired, Chervon may use refurbished parts. This warranty does not cover normal wear and tear, misuse or abuse. This warranty may also be further limited or voided as specifically detailed in the product Manual. Chervon has no other liability under this warranty. The benefits to you given by this warranty are in addition to other rights and remedies imposed by State and Federal legislation that cannot be excluded. Our goods come with guarantees that cannot be excluded under the Australian Consumer Law. You are entitled to a replacement or refund for a major failure and compensation for any other reasonably foreseeable loss or damage. You are also entitled to have the goods repaired or replaced if the goods fail to be of acceptable quality and the failure does not amount to a major failure. Chervon Australia Pty Ltd, Unit 14, 5 Kelleets Road, Rowville, VIC 3178. Phone Number: Australia 1300 000 EGO(1300 000 346), New Zealand 0508 000 EGO (0508 000 346). Email address: support@egopowerplus.com.au.