



OPERATING MANUAL

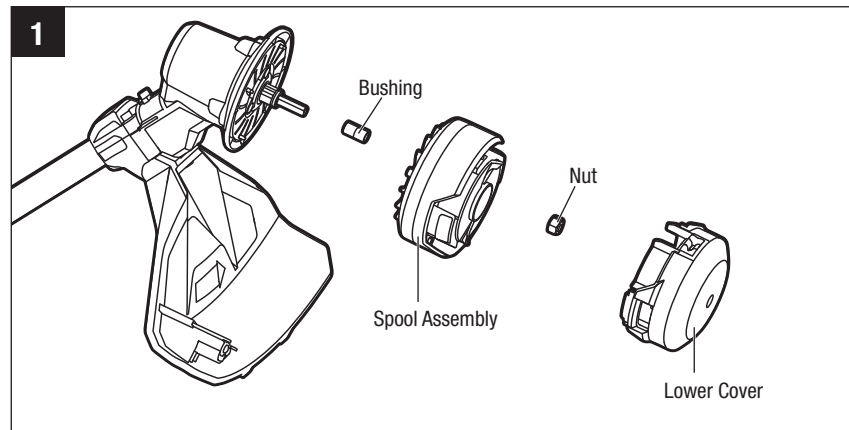
REPLACEMENT LINE TRIMMER HEAD

MODEL NUMBER AH1620

This Replacement Line Trimmer Head is exclusively compatible with EGO POWER+ Line Trimmer ST1620E-T

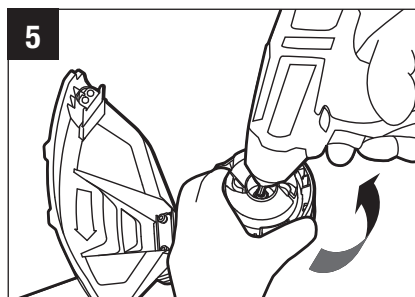
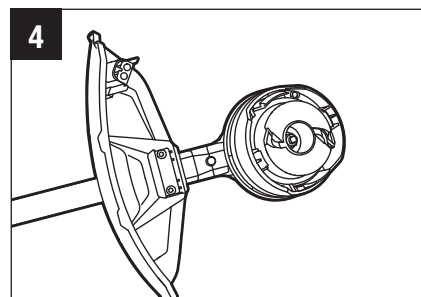
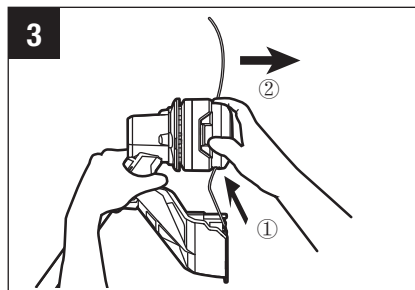
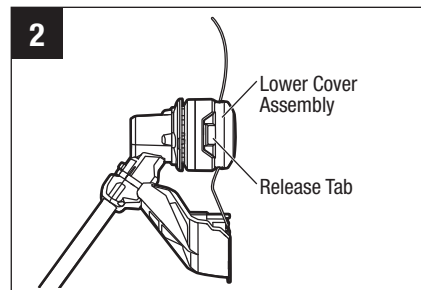
⚠ DANGER: If the head loosens after it is fixed in position, replace it immediately. Never use a trimmer with a loose cutting attachment. Replace a cracked, damaged or worn out cutting head immediately, even if damage is limited to superficial cracks. Such attachments may shatter at high speed and cause serious injury.

⚠ WARNING: Always remove the battery pack from the product when you are assembling parts, making adjustments, cleaning, or when the product is not in use.



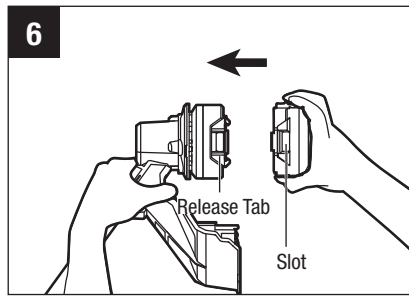
REMOVE THE TRIMMER HEAD

1. Remove the battery pack.
2. Press the release tabs on the trimmer head and remove the lower cover of the trimmer head by pulling it straight out (Fig. 2& 3).
3. Remove the cutting line from the trimmer head (Fig. 4).
4. Wear gloves. Use one hand to grasp the spool assembly to stabilize it and use the other hand to hold an impact wrench (not included) to loosen the nut in a counterclockwise direction (Fig. 5).
5. Remove the spool assembly and bushing from the motor shaft (Fig. 1). Save the bushing for later assembly.
6. Replace with a new trimmer head and mount it in following steps.



INSTALL THE NEW TRIMMER HEAD

1. Mount the bushing in motor shaft and mount the spool assembly into place. Use an impact wrench to tighten the nut (Fig. 1).
2. With one hand holding the trimmer, use another hand to grasp the lower cover assembly and align the slots in the lower cover assembly with the release tabs. Press the lower cover assembly until it snaps into place, at which time you will hear a distinct click sound (Fig. 6).



LINE REPLACEMENT

⚠ WARNING: Never use metal-reinforced line, wire, or rope, etc. These can break off and become dangerous projectiles.

⚠ WARNING: Always use the recommended nylon cutting line with a diameter of 2.4 mm. Using line other than that specified may cause the tool to overheat or become damaged.

The line trimmer is equipped with an advanced POWERLOAD™ system. The cutting line can be wound onto the spool simply by pressing a single button. Loading a full spool can usually be completed in 12 seconds. Avoid repeated operation of the winding system in rapid succession to reduce the possibility of motor damage.

1. Cut one piece of cutting line 4 m long. Insert the line into the eyelet (Fig. 7) and push the line until the end of the line comes out of the opposite eyelet.
2. Pull the line from the other side until equal lengths of the line appear on both sides of the trimmer head (Fig. 8).
3. Press and hold the POWERLOAD button to start the line-winding motor. The line will be wound into the trimmer head continuously (Fig. 9).
4. Watch the remaining line length carefully. Prepare to release the button as soon as approximately 22 cm of line are left on each side. Briefly press the line loading button to adjust the length until 18 cm of the line is showing on each side.

