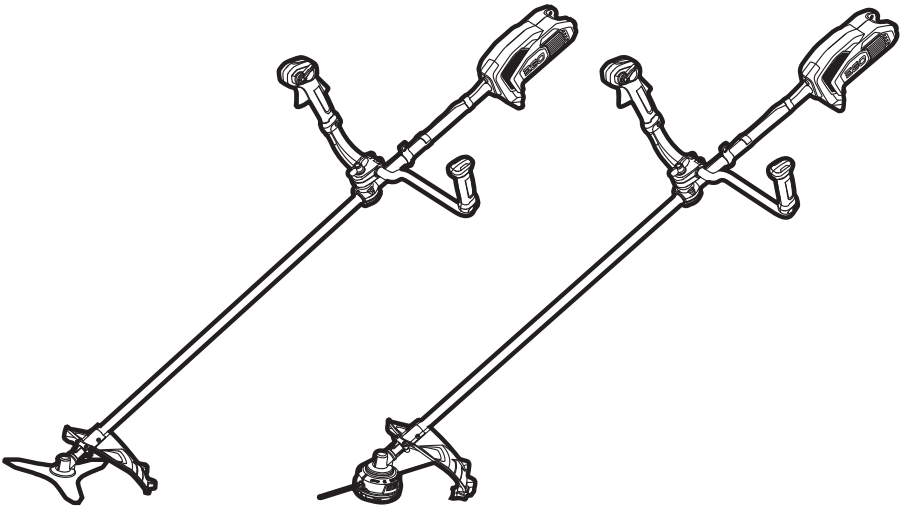


EGO™

POWER⁺ BRUSHCUTTER



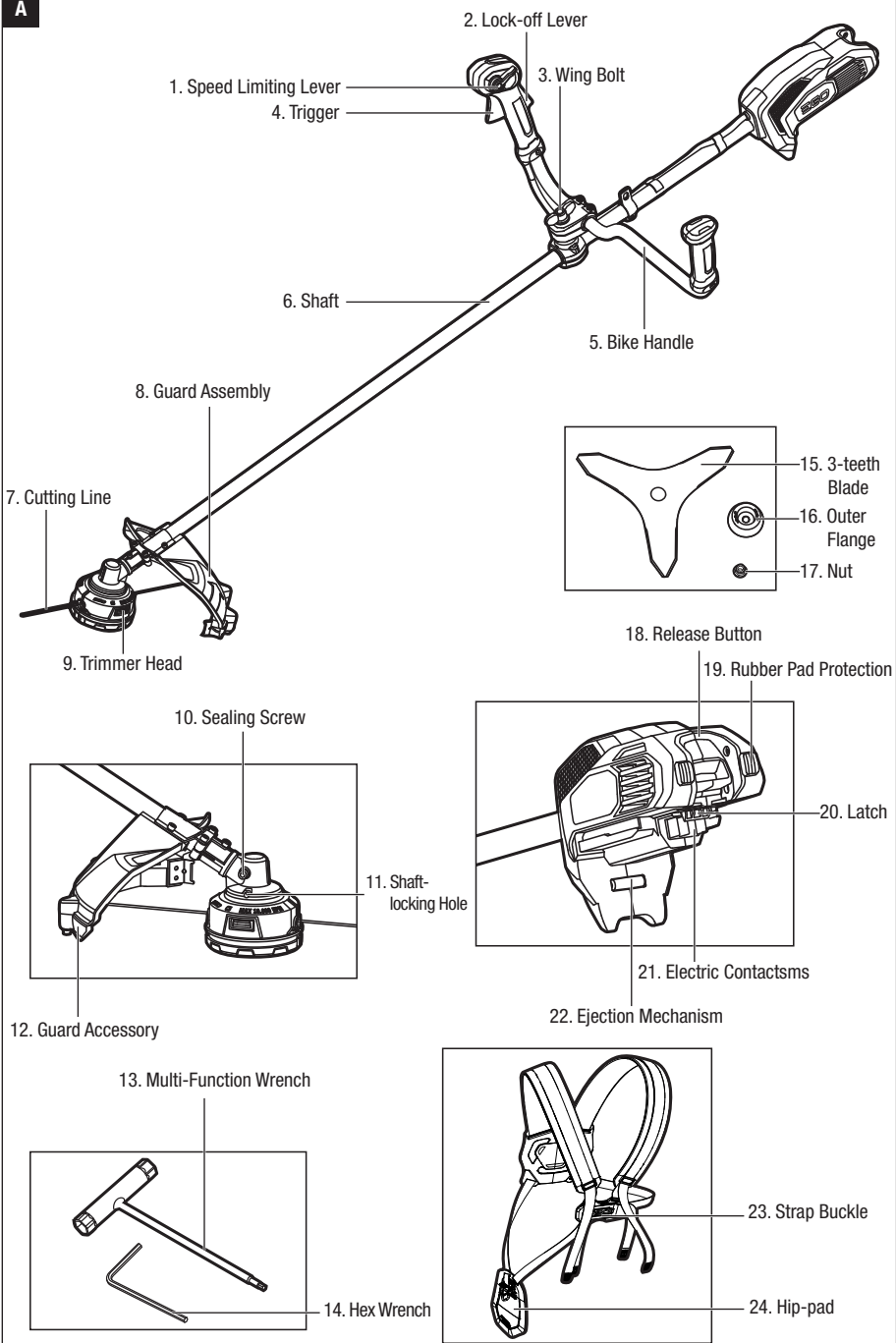
OPERATOR'S MANUAL

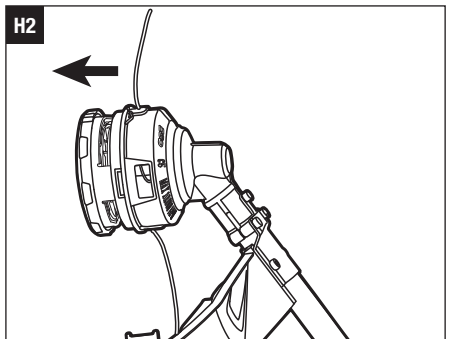
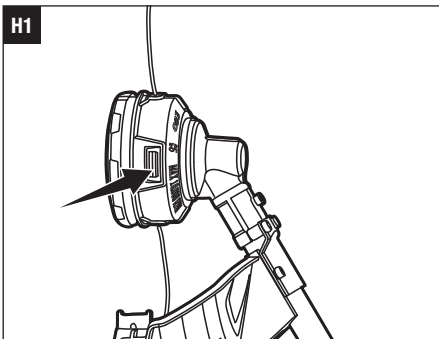
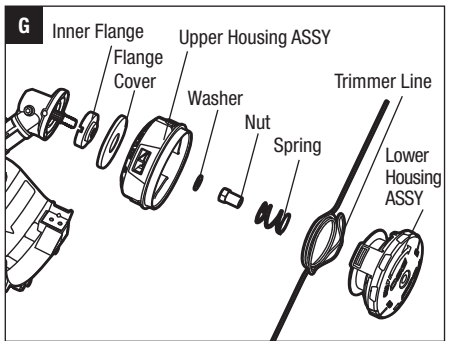
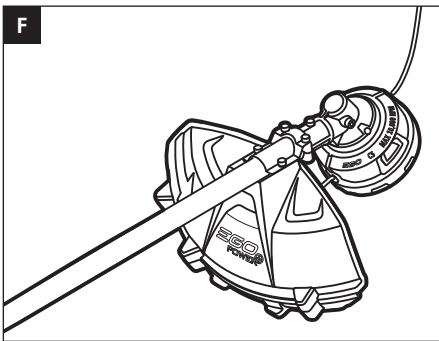
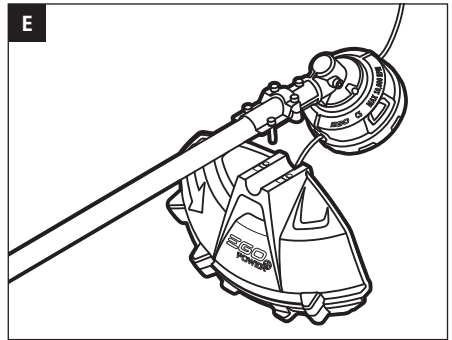
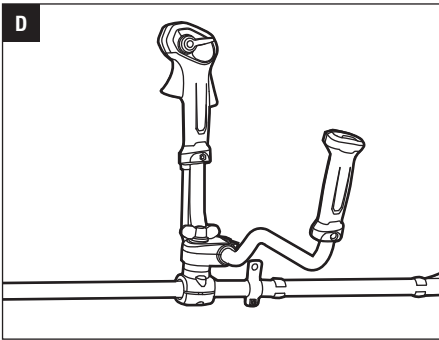
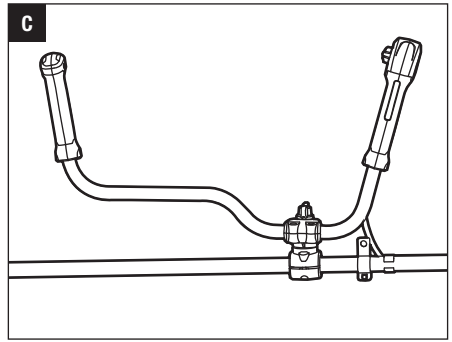
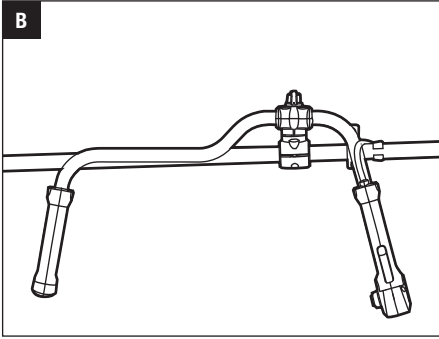
56 VOLT LITHIUM-ION REAR MOTOR BIKE-HANDLE BRUSHCUTTER

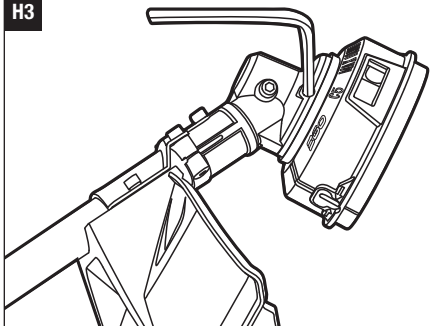
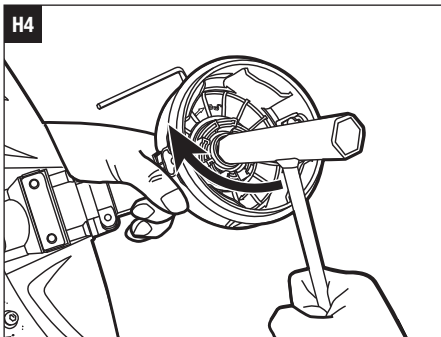
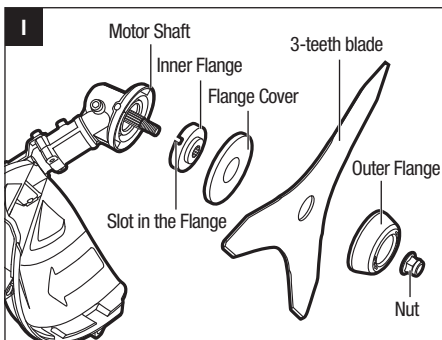
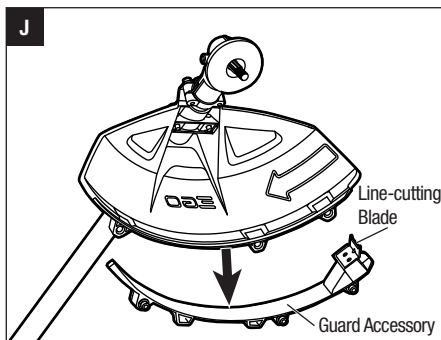
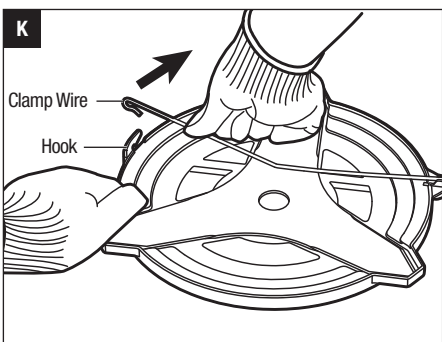
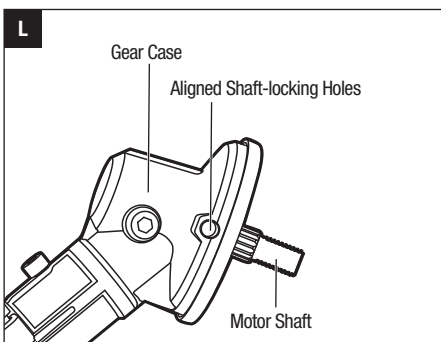
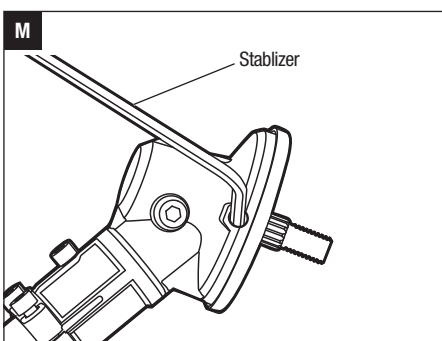
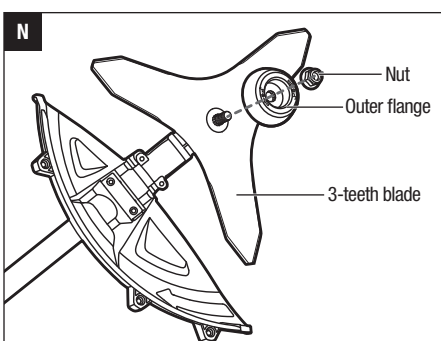
MODEL NUMBER BC3800E

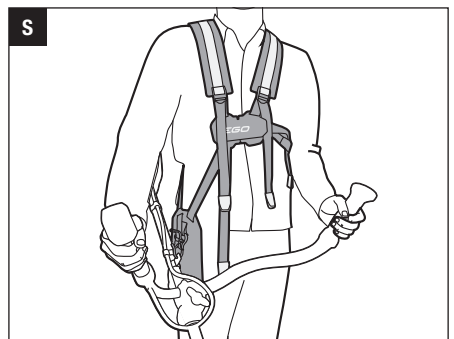
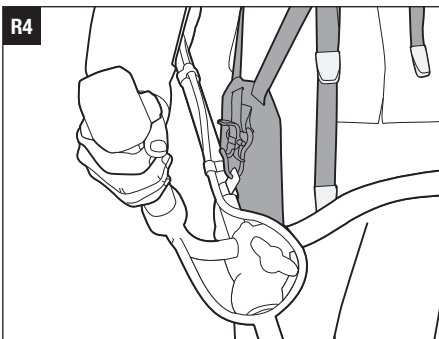
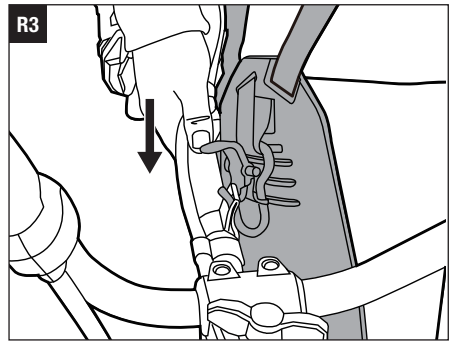
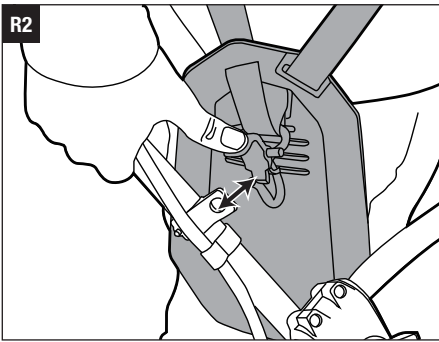
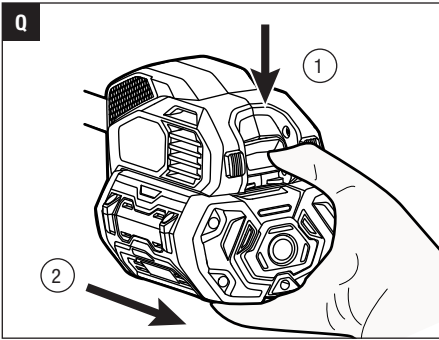
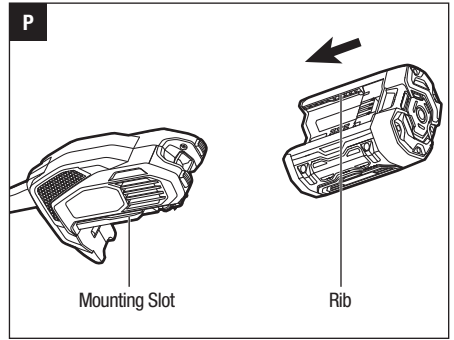
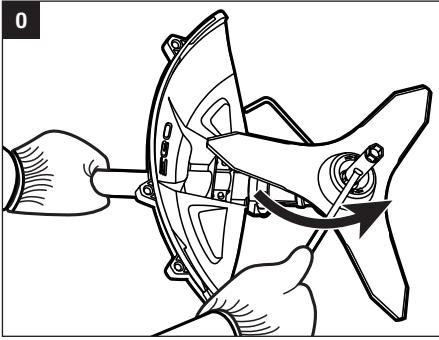
⚠ WARNING: To reduce the risk of injury, the user must read and understand the Operator's Manual before using this product. Save these instructions for future reference.

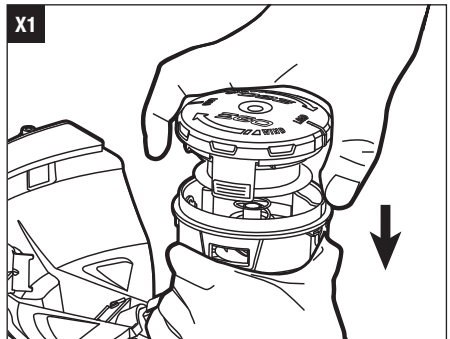
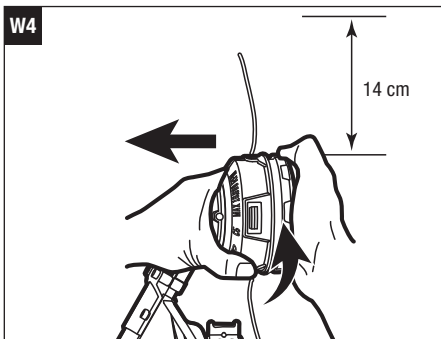
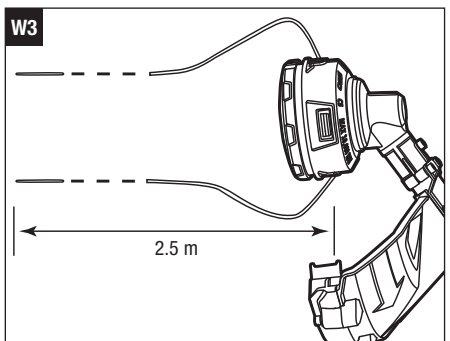
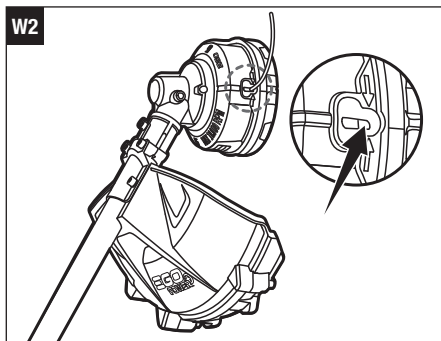
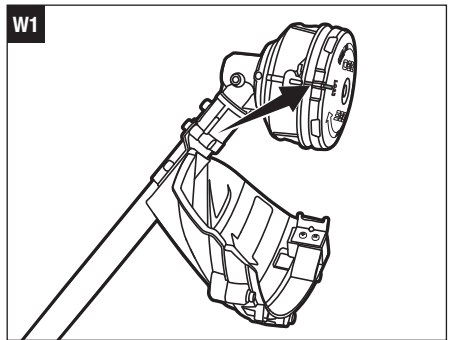
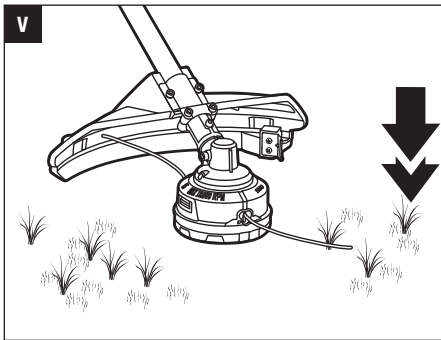
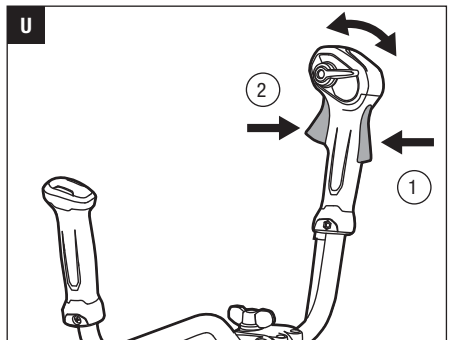
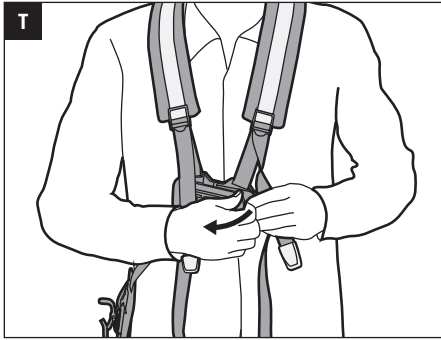
A

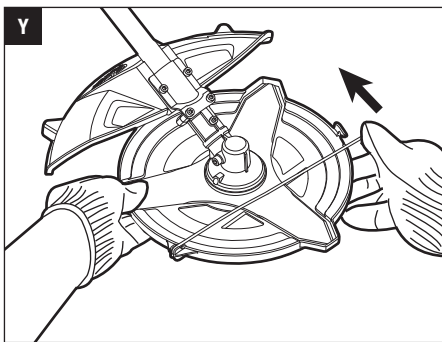
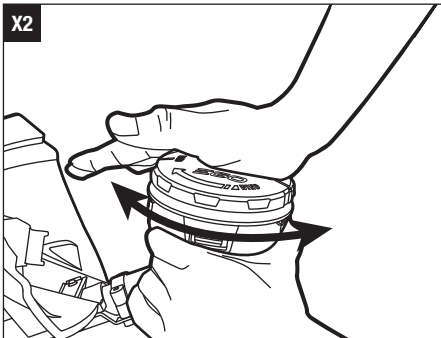




H3**H4****I****J****K****L****M****N**







READ ALL INSTRUCTIONS!



Read Operator's Manual

⚠ Residual risk! People with electronic devices, such as pacemakers, should consult their physician(s) before using this product. Operation of electrical equipment in close proximity to a heart pacemaker could cause interference or failure of the pacemaker.

⚠ WARNING: To ensure safety and reliability, all repairs and replacements should be performed by a qualified service technician.

SAFETY SYMBOLS

The purpose of safety symbols is to attract your attention to possible dangers. The safety symbols and the explanations with them deserve your careful attention and understanding. The symbol warnings do not, by themselves, eliminate any danger. The instructions and warnings they give are no substitutes for proper accident prevention measures.

⚠ WARNING: Be sure to read and understand all safety instructions in this Operator's Manual, including all safety alert symbols such as "DANGER," "WARNING," and "CAUTION" before using this tool. Failure to follow all instructions listed below may result in electric shock, fire, and/or serious personal injury.

SYMBOL MEANING

⚠ SAFETY ALERT SYMBOL: Indicates DANGER, WARNING, or CAUTION, may be used in conjunction with other symbols or pictographs.



⚠ WARNING: The operation of any power tools can result in foreign objects being thrown into your eyes, which can result in severe eye damage. Before beginning power tool operation, always wear safety goggles or safety glasses with side shields and a full face shield when needed. We recommend a Wide Vision Safety Mask for use over eyeglasses or standard safety glasses with side shields.

SAFETY INSTRUCTIONS

This page depicts and describes safety symbols that may appear on this product. Read, understand, and follow all instructions on the machine before attempting to assemble and operate it.

	Safety Alert	Indicates a potential personal injury hazard.
	Read Operator's Manual	To reduce the risk of injury, user must read and understand the operator's manual before using this product.
	Wear Eye Protection	Always wear safety goggles or safety glasses with side shields and a full face shield when operating this product.
	Wear Ear Protection	Always wear sound barriers (ear plugs or ear muffs) to protect your hearing.
	Wear Head Protection	Wear an approved safety hard hat to protect your head.
	Wear Protective Gloves	Protect your hands with gloves when handling blade or blade guard. Heavy-duty, nonslip gloves improve your grip and protect your hands.
	Wear Safety Footwear	Wear non-slip safety footwear when using this equipment.
	Beware of blade thrust	Warn the operator of the danger of blade thrust.
	Ricochet and Keep Bystanders Away	Thrown objects can ricochet and result in personal injury or property damage. Ensure that other people and pets remain away from the brushcutter when it is in use.
	Keep Bystanders Away	Ensure that other people and pets remain at least 15m away from the line trimmer when it is in use.
	No round blade	Do not install round cutting blades.
	Noise	Sound pressure level.

V	Volt	Voltage
	Direct Current	Type or a characteristic of current
n_0	No Load Speed	Rotational speed, at no load
.../min	Per Minute	Revolutions per minute

IMPORTANT SAFETY INSTRUCTIONS

⚠ WARNING! When using this product, basic safety precautions should always be followed to reduce the risk of fire, electric shock, and personal injury, including the following:

READ CAREFULLY BEFORE USE

KEEP FOR FUTURE REFERENCE

⚠ DANGER! Do not rely on the tool's insulation against electric shock. To reduce the risk of electrocution, never operate the machine in the vicinity of any wires or cables (power, etc.) which may carry electric current.

⚠ CAUTION! Wear appropriate personal hearing protection during use. Under some conditions and durations of use, noise from this product may contribute to hearing loss.

TRAINING

- Read the instructions carefully. Be familiar with the controls and the proper use of the machine.
- Never allow people unfamiliar with these instructions or children to use the machine. Local regulations can restrict the age of the operator.
- Keep in mind that the operator or user is responsible for accidents or hazards occurring to other people or their property.

PREPARATION

- Never operate this product while people, especially children, or pets are nearby.
- Wear eye protection and stout shoes at all times while operating this product.
- The distance between the machine and bystanders shall be at least 15m.

OPERATION

- Use the brushcutter only in daylight or good artificial light.
- Never operate the brushcutter with damaged guards or shields or without guards or shields in place.
- Switch on the motor only when the hands and feet are away from the cutting means.
- Always disconnect the brushcutter from the power supply (i.e. remove the plug from the mains or remove the disabling device).
 - whenever leaving the brushcutter unattended;
 - before clearing a blockage;
 - before checking, cleaning or working on the brushcutter;
 - after striking a foreign object;
 - whenever the brushcutter starts vibrating abnormally.
- Take care against injury to feet and hands from the cutting means.
- Always ensure that the ventilation openings are kept clear of debris.

MAINTENANCE AND STORAGE

- Disconnect the brushcutter from the power supply (i.e. remove the plug from the mains or remove the disabling device) before carrying out maintenance or cleaning work.
- Use only the manufacturer's recommended replacement parts and accessories.
- Inspect and maintain the brushcutter regularly. Have the machine repaired only by an authorized repairer.
- When not in use, store the brushcutter out of the reach of children.

OTHER SAFETY WARNINGS

- **Keep children away** - All visitors should be kept at least 15 m away from work area.
- **Avoid dangerous environments** - Don't use appliances on damp or wet slope.
- **Always turn the brushcutter off or remove the battery pack whenever leaving the tool unattended.**
- **Don't use in rain.**
- **Dress properly** - Do not wear loose clothing, jewelry, short pants, sandals, or go barefoot. They can be caught in moving parts. Always wear heavy, long pants and a long-sleeve shirt. Use of rubber gloves and substantial footwear is recommended when working outdoors. Wear protective hair covering to contain long hair to secure hair above shoulder level.
- **Use safety glasses** - Always use safety glasses while operating the machine.

- **Use the right tool** - Do not use the tool for any job except that for which it is intended.
- **Don't force the brushcutter** - It will do the job better and with less likelihood of a risk of injury at the rate for which it was designed.
- **Don't overreach** - Keep proper footing and balance at all time.
- **Stay alert** - Watch what you are doing. Use common sense. Do not operate the brushcutter when you are tired.
- **Do not operate the brushcutter while under the influence of alcohol or drugs.**
- **Keep guards in place and in working order.**
- **Keep hands and feet away from the cutting area.**
- **Store brushcutter indoors** - When not in use the brushcutter should be stored indoors in a dry and high or locked-up place with the battery pack removed- out of reach of children.
- **Maintain brushcutter with care** - Keep the cutting attachment clean for best performance and to reduce the risk of injury. Follow the instructions for changing accessories. Keep the handles dry, clean, and free from oil and grease.
- **Check damaged parts** - Before further use of the brushcutter, a guard or other part that is damaged should be carefully checked to determine that it will operate properly and perform its intended function. Check for alignment of moving parts, binding of moving parts, breakage of parts, mounting, and any other condition that may affect its operation. A guard or other part that is damaged should be properly repaired or replaced by an authorized service center unless indicated elsewhere in this manual.
- **Make sure all fasteners are in place and secure. Be sure the cutting attachment shield is properly attached and in the position recommended by the manufacturer.**
- **Clear the area to be cut before each use.** Remove all objects such as rocks, broken glass, nails, wire, or string, which can be thrown or become entangled in the cutting attachment. Clear the area of children, bystanders and pets. At a minimum, keep all children, bystanders and pets outside a 15 m (50 ft) radius; outside the 15 m (50 ft) zone, there is still a risk of injury from thrown objects. Bystanders should be encouraged to wear eye protection.
- **Before using the brushcutter and after any impact, check for signs of wear or damage and repair as necessary.**
- **Always hold the brushcutter firmly, with both hands on the handles, while operating. Wrap your fingers and thumbs around the handles.**
- **Avoid accidentally starting** - Don't carry the brushcutter with your finger on the trigger.
- **Do not operate the brushcutter in gaseous or explosive atmospheres.** Motors in these appliances normally spark, and the sparks might ignite fumes.
- **Damage to brushcutter** - If you strike a foreign object with the brushcutter or it becomes entangled, stop the tool immediately, remove the battery pack from the brushcutter, check for damage and have any damage repaired before further operation is attempted. Do not operate with a broken guard or cutting attachment.
- **If the equipment should start to vibrate abnormally, stop the motor, remove the battery pack from the brushcutter and check immediately for the cause.** Vibration is generally a warning of trouble. A loose cutting unit may vibrate, crack, break or come off the brushcutter, which may result in serious or fatal injury. Make sure that the cutting unit is properly installed and securely fastened. If the cutting unit loosens after fixing it in position, replace it immediately. Never use a brushcutter with a loose cutting unit.
- **Replace a cracked, damaged or worn-out cutting unit immediately, even if damage is limited to superficial cracks.** Such unit may shatter at high speed and cause serious or fatal injury.
- **To reduce the risk of injury, never work on a ladder or on any other insecure support. Never hold the cutting unit above waist height.**
- **Never use other wires in place of the nylon cutting lines, pieces of wire could break off and be thrown at high speed toward the operator or bystanders.**
- **Keep firm footing and balance.** Do not over-reach. Keep cutting unit below waist level. Keep all parts of your body away from the rotating cutting unit.
- **Check the cutting unit at regular short intervals during operation, or immediately if there is a noticeable change in cutting behavior.**
- **Only use EGO authorized polymer trimmer line and blade accessories, trimmer line and blade that are designed for use with this brushcutter. Although certain unauthorized units might be extremely dangerous, and/or damaging to the tools.**
- **If you are approached, stop the motor and cutting unit.**
- **Warn the operator of the danger of blade thrust (only using with 3-teeth blade).**
 - Blade thrust may occur when the spinning blade contacts an object that it does not immediately cut.
 - Blade thrust can be violent enough to cause the unit and/or operator to be propelled in any direction, and possibly lose control of the unit.

- Blade thrust can occur without warning if the blade snags, stalls or binds.
- Blade thrust is more likely to occur in areas where it is difficult to see the material being cut.
- **Do not attach any blade to a unit without proper installation of all required parts. Failure to use the proper parts can cause the blade to fly off and seriously injure the operator and/or bystanders. Discard blades that are bent, warped, cracked, broken, or damaged in any way. Use a sharp blade. A dull blade is more likely to snag and thrust (only use with 3-teeth blade).**
- **The battery pack shall be disposed of safely.**
- **A coasting blade/line can cause injury while it continues to spin after the motor is stopped or trigger is released. Maintain proper control until the blade/line has completely stopped rotating.**
- **Do not charge the battery pack in rain, or in wet locations.**
- Use only with EGO's battery packs and chargers listed below:

BATTERY PACK	CHARGER
BA1120E, BA1400, BA2240E, BA2800, BA3360, BA4200	CH2100E CH5500E

- **The battery pack must be removed from the appliance before it is scrapped.**
- **Do not dispose of the battery in a fire.** The cells may explode. Check with local codes for possible special disposal instructions.
- **Do not open or mutilate the battery.** Released electrolyte is corrosive and may cause damage to the eyes or skin. It may be toxic if swallowed.
- **Exercise care in handling batteries in order not to short the battery with conducting materials such as rings, bracelets, and keys.** The battery or conductor may overheat and cause burns.
- **Replacement parts** - When servicing, use only identical EGO replacement parts. Use of any other accessory or attachment may increase the risk of injury.
- **Battery tools do not have to be plugged into an electrical outlet; therefore, they are always in operating condition.** Be aware of possible hazards even when the tool is not operating. Take care when performing maintenance or service.
- **Remove or disconnect battery pack before servicing, cleaning or removing material from the brushcutter.**

- **Do not wash with a hose; avoid getting water in motor and electrical connections.**
- **If situations occur that are not covered in this manual, use care and good judgment. Contact the EGO Customer Service Center for assistance.**

SAVE THESE INSTRUCTIONS!

SPECIFICATIONS

Cutting unit	Trimmer head	3-teeth metal blade
Voltage	56 V	56 V
No-load Speed	4500-6000 /min	4500-6000 /min
Cutting Line Type	2.4mm nylon twist line	/
Cutting blade	/	ABB1203
Cutting Width	38 cm	30 cm
Weight (without battery pack)	4.35 kg	4.64 kg
Sound pressure level	70 dB(A)	64 dB(A)

PACKING LIST

PART NAME	QUANTITY
Brushcutter	1
3-teeth blade with Sheath	1
Guard Assembly	1
Nut	1
Outer Flange	1
Hex Wrench	1
Multi-Function Wrench	1
Double-shoulder Strap	1
Operator's Manual	1

DESCRIPTION

KNOW YOUR Brushcutter (Fig. A)

1. Speed Limiting Lever
2. Lock-off Lever
3. Wing Bolt
4. Trigger
5. Bike Handle
6. Shaft
7. Cutting Line
8. Guard Assembly
9. Trimmer Head
10. Sealing Screw
11. Shaft-locking Hole
12. Guard Accessory
13. Multi-Function Wrench
14. Hex Wrench
15. 3-teeth Blade
16. Outer Flange
17. Nut
18. Release Button
19. Rubber Pad Protection
20. Latch
21. Electric Contactsms
22. Ejection Mechanism
23. Strap Buckle
24. Hip-pad

⚠ WARNING: Never operate the tool without the guard firmly in place. The guard must always be on the tool to protect the user.

⚠ WARNING: When the tool is equipped with a trimmer head, the guard accessory with line-cutting blade should be mounted onto the guard. Failure to comply will result in overly long cutting line and overload the motor. Never use the trimmer head without guard accessory.

ASSEMBLY

⚠ WARNING: If any parts are damaged or missing, do not operate the brushcutter until the parts are replaced. Use of the brushcutter with damaged or missing parts could result in serious personal injury.

⚠ WARNING: Do not attempt to modify the brushcutter or create accessories not recommended for use with this product. Any such alteration or modification is misuse and could result in a hazardous condition leading to possibly serious personal injury.

⚠ WARNING: Always wear heavy gloves when installing or removing the guard and doing any maintenance on the 3-teeth blade/line-cutting blade. Be careful of the line-cutting blade on the guard accessory / 3-teeth blade for protecting your hands from being injured by both the blades.

⚠ WARNING: To prevent accidental starting that could cause serious personal injury, always remove the battery pack from the tool when assembling parts or transporting the machine.

⚠ WARNING: Never operate the tool without the guard and bike handle firmly in place. Failure to comply could result in possible serious personal injury.

MOUNTING AND ADJUSTING THE BIKE HANDLE

The brushcutter is stored as shown in Fig. B. Firstly, loosen the wing bolt on the connecting joint and then lift the bike handle 180° around the shaft (Fig. C), turn it 90° anticlockwise to make it face the bump head (Fig. D). Lastly, move it back and forth to achieve a comfortable working position and tighten the bolt.

NOTICE: Operating the machine with the bike handle perpendicular to the shaft is only permitted.

MOUNTING THE GUARD

1. Lift the cutting head and face it downward; align the two mounting holes in the guard with the two bolts that are preassembled on the base of shaft. Make sure that the internal surface of the guard faces towards the cutting head (Fig. E).
2. Lock the guard in place with the bolts and the supplied hex wrench (Fig. F).

REPLACE THE TRIMMER HEAD WITH THE 3-TEETH BLADE

Know the trimmer head Fig. G and follow the steps as Fig. H-1 - Fig. H-4 shown (refer to the section "line replacement") to disassemble the trimmer head. To mount the blade follow the steps below:

1. To mount the metal blade unit (Fig. I).
2. Remove the guard accessory by loosening the three screws with washer (Fig.J).

- The blade is shipped with a sheath. Before mounting the blade onto the brushcutter, the sheath should be removed by undoing the clamp wire from the hook on the sheath (Fig. K).

NOTICE: To protect against injury, you have to wear gloves prior to any operation with the 3-teeth blade.

- Rotate the motor shaft to align the slot in the inner flange with the shaft-locking hole in the gear case (Fig. L).
- Insert the hex wrench into the aligned holes to act as a STABILISER (Fig. M).
- Mount the blade onto the motor shaft, ensuring that the surface of the blade is flush with the surface of the inner flange bulge. Mount the outer flange and the nut (Fig. N). Pre-tighten the nut in a COUNTERCLOCKWISE direction by hand.
- Position the gear case against a solid surface for support. With one hand hold the brushcutter shaft and the other hand grasp the multi-function wrench to tighten the nut following the directional arrow icon marked on the outer flange (Fig. O).

USE OF GUARD ACCESSORY

NOTICE: When the brushcutter is equipped with a trimmer head, the guard accessory must be mounted onto the guard. Secure the guard accessory onto the guard by tightening the three screws with the hex wrench due to the line-cutting blade is equipped on the guard accessory. Failure to comply could result in an overly long cutting line and motor overload.

OPERATION

⚠ WARNING: Do not allow familiarity with this product to make you careless. Remember that a careless fraction of a second is sufficient to inflict serious injury.

⚠ WARNING: Always wear eye protection, along with hearing protection. Failure to do so could result in objects being thrown into your eyes and other possible serious injuries.

⚠ WARNING: Do not use any attachments or accessories not recommended by the manufacturer of this product. The use of attachments or accessories not recommended can result in serious personal injury.

APPLICATIONS

You may use the brushcutter for the purpose listed below:

- **With 3-teeth metal blade:** Cutting grass, weeds, wild growth and scrub, thinning young trees with a maximum stem diameter of 2cm.
 - **With Trimmer Head:** Trimming grass and weeds from around porches, fences and decks.
- NOTICE:** The tool is to be used only for its prescribed purpose. Any other use is deemed to be a case of misuse.

ATTACHING/DETACHING THE BATTERY PACK

Fully charge before first use.

To Attach

Align the battery rib with the mounting slots and press the battery pack down until you hear a “click” (Fig. P).

To Detach

Depress the battery-release button and the battery pack out (Fig. Q).

MOUNT THE DOUBLE-SHOULDER STRAP AND HOLDING THE MACHINE

Put the double-shoulder strap on your body and insert the two parts of the strap buckle into each other until a click is heard (Fig. R-1). Align the hook of hip pad into hole of the tubing clip fixed on the shaft, and press the shaft down softly (Fig. R-2 & R-3 & R-4).

Hold the line trimmer with both hands on the right side of your body (Fig. S). The trimmer head or blade should be parallel to the ground at a proper cutting distance without the operator bending over.

Releasing the brushcutter can be achieved in two ways;. Release the strap buckle (Fig. T) or press the hook of the strap and take it apart from the tubing clip fixed on the shaft (Fig. R-2).

⚠ WARNING: When emergency occurs, take it off from your shoulder immediately, no matter what way the strap is in. Releasing the strap buckle (Fig. T) and both hands taking off your shoulders at each side is a quick release method.

⚠ WARNING: You should not use the single-shoulder strap and double-shoulder strap simultaneously.

STARTING/STOPPING THE Brushcutter

To Start

Press down the lock-off lever and hold it in that position. Depress the trigger to start (Fig. U).

Different pressure on the trigger results in variable rotating speed of the cutting unit. If necessary, adjust the speed limiting lever to set the maximum speed.

NOTICE: The speed limiting lever can also be preset to limit the trigger travel.

To Stop

Release the trigger.

NOTICE: The motor runs only when the lock-off lever and trigger are both pressed.

⚠ WARNING: Always remove the battery pack from the line trimmer during work breaks and after finishing work.

USING THE MACHINE

⚠ WARNING: Dress properly to reduce the risk of injury when operating the brushcutter. Do not wear loose clothing or jewelry. Wear eye and ear/hearing protection. Wear heavy duty, long trousers, boots and gloves. Do not wear short trousers, sandals or go barefoot.

Before operating, look around you to ensure a safety working area without other people, animals or any loose objects. Make sure they are at least 15m away. And then check for eye protection, proper clothing and balanced footing.

Before each use check for damaged/worn parts.

Check the trimmer head, 3-teeth blade, guard, guard accessory, bike handle and double-shoulder strap and replace any parts that are cracked, warped, bent, or damaged in any way. The line-cutting blade on the edge of the guard accessory can dull over time. It is recommended that you periodically sharpen it with a file or replace it with a new blade.

After each use, clean the brushcutter

USING WITH TRIMMER HEAD

Adjusting cutting line length

The trimmer head allows the operator to release more cutting line without stopping the motor. As line becomes frayed or worn, additional line can be released by lightly tapping the bump knob on the ground while operating the trimmer (Fig. V).

NOTICE: Line release will become more difficult if the cutting line becomes too short.

⚠ WARNING: Do not remove or alter the line-cutting blade assembly. Excessive line length will cause the motor to overheat and may result in serious personal injury.

Line Replacement

NOTICE: Always use the recommended nylon cutting line with a diameter that does not exceed 2.4 mm. Using line other than that specified may cause the brushcutter to overheat or become damaged.

⚠ WARNING: Never use metal-reinforced line, wire, or rope, etc. These can break off and become dangerous projectiles.

1. Remove the battery pack.
2. Remove the remaining cutting line, if necessary.
3. Rotate the spool retainer in the direction indicated by the arrow, as necessary, to align the LOAD line on the spool retainer with the eyelets in the spool base (Fig. W-1).
4. Cut 5m of cutting line, and insert the line into the mounting hole inside the eyelet (Fig. W-2). Push and pull the line from the other side until equal amounts of line appear on both sides of the spool (Fig. W-3).
5. Press, while rotating the spool retainer in the arrow direction, to wind the line onto the spool until approximately 14cm of line is showing on each side (Fig. W-4).
6. Push the spool retainer down while pulling on the lines to manually advance the line and to check for proper assembly of the trimmer head.

When the cutting line breaks from the line outlet or the cutting line is not released when tapping the trimmer head, follow the steps below:

1. Remove the battery pack.
2. Press the release tabs on the spool retainer and remove the spool retainer by pulling it straight out (Fig. H-1 & H-2).
3. Remove the cutting line from the spool retainer.
4. With one hand holding the spool base, use the other hand to grasp the spool retainer and align the tabs on the spool retainer with the holes in the spool base (Fig. X-1); use your palm to press and rotate the spool retainer left and right until the tabs lock with the spool base (Fig. X-2).
5. Reload the cutting line.

USING WITH 3-TEETH METAL

⚠ WARNING: To cut wild growth and scrub, lower the rotating 3-teeth blade down onto the growth to achieve a chopping effect. Use the brushcutter like a scythe (sweep it to the right and left) at ground level. Do not use the cutting unit above waist height.

⚠ WARNING: The higher the cutting unit is off the ground, the greater the risk of injury from cuttings being thrown sideways.

⚠ WARNING: When cutting young trees or other woody materials up to 2cm in diameter, use the left side of the blade to avoid blade thrust situations. Do not attempt to cut woody material with a larger diameter, since the blade may catch or jerk the brushcutter forward. This may cause damage to the blade or the brushcutter or loss of control of the brushcutter, resulting personal injury.

⚠ WARNING: Improper use of a blade may cause it to crack, chip, or shatter. Thrown parts may seriously injure the operator or bystander. To reduce the risk of personal injury, it is essential to take the following precautions:

- Avoid contact with hard or solid foreign objects such as stones, rocks or pieces of metal.
- Never cut wood or shrubs with a stem diameter of more than 2cm.
- Inspect the blade at a regular short interval for signs of damage. Do not continue working with a damaged blade.
- Re-sharpen the blade regularly (when it has dulled noticeably) and have it balanced if necessary (performed by a qualified service technician).

Blade Thrust

Exercise extreme caution when using the 3-teeth blade with this unit. Blade thrust is the reaction that may occur when the spinning blade contacts anything it cannot cut. This contact may cause the blade to stop for an instant and suddenly “thrust” the unit away from the object that was hit. This reaction can be violent enough to cause the operator to lose control of the unit. Blade thrust can occur without warning if the blade snags, stalls, or binds. This is more likely to occur in areas where it is difficult to see the material being cut. For cutting ease and safety, approach the weeds being cut with the brushcutter from the right to the left. In the event an unexpected object or woody stock is encountered, this practice could minimise the blade thrust reaction.

MAINTENANCE

⚠ WARNING: Before inspecting, cleaning or servicing the unit, stop the motor, wait for all moving parts to stop, and remove the battery pack. Failure to follow these instructions can result in serious personal injury or property damage.

⚠ WARNING: When servicing, use only identical replacement parts. Use of any other parts may create a hazard or cause product damage. To ensure safety and reliability, all repairs should be performed by a qualified service technician.

GENERAL MAINTENANCE

Avoid using solvents when cleaning plastic parts. Most plastics are susceptible to damage from various types of commercial solvents and may be damaged by their use. Use clean clothes to remove dirt, dust, oil, grease, etc.

CLEAN THE MACHINE

- After each use of 3-teeth blade / trimmer head, clean the debris, clogged soils or grass on the blade and guard with a soft brush.

NOTICE: When the line-cutting blade becomes dull, please sharpen it performed by a qualified service technician or replace with a new line-cutting blade as necessary.

- After each use of brushcutter, clean the cutting unit using a damp cloth with a mild detergent.
- Do not use any strong detergents on the plastic housing or the handle. They can be damaged by certain aromatic oils, such as pine and lemon, and by solvents such as kerosene. Moisture can also cause a shock hazard. Wipe off any moisture with a soft dry cloth.
- Use a small brush or a small vacuum cleaner to clean the air vents on the rear housing.

STORING THE MACHINE

- Remove the battery pack from the tool.
- Wear heavy gloves to clean the tool thoroughly.
- Mount the blade sheath onto the 3-teeth blade for safe storage (Fig. Y).
- Store the unit in a dry, well-ventilated area, locked-up or up high, out of the reach of children. Do not store the machine on or adjacent to fertilisers, petrol, or other chemicals.

Protecting the environment



Do not dispose of electrical appliances as unsorted municipal waste, use separate collection facilities.

Contact your local government for information regarding the collection systems available.

If electrical appliances are disposed of in landfills or dumps, hazardous substances can leak into the groundwater and get into the food chain, damaging your health and well-being.

TROUBLESHOOTING

PROBLEM	CAUSE SOLUTION	SOLUTION
Fail to start.	<ul style="list-style-type: none"> ■ The battery pack is not attached to the brushcutter. ■ No electrical contact between the brushcutter and the battery pack. ■ The battery pack is depleted. ■ The lock-off lever and trigger are not depressed simultaneously. 	<ul style="list-style-type: none"> ■ Attach the battery pack to the power head. ■ Remove battery, check contacts and reinstall the battery pack until it snaps into place. ■ Charge the battery pack with EGO chargers listed in this manual. ■ Press down the lock-off lever and hold it, then depress the trigger to turn on the brushcutter.
Stop working.	<ul style="list-style-type: none"> ■ The motor is overloaded. ■ Heavy cutting line is used. ■ The battery pack or the brushcutter is too hot. ■ The battery pack is disconnected from the tool. ■ The battery pack is depleted. 	<ul style="list-style-type: none"> ■ The motor will recover when the load is removed. For continuous working, decrease the load on the power head. ■ Use standard nylon cutting line with diameter no more than 2.4mm. ■ Allow the battery pack or the power head to cool until the temperature drops below 67°C. ■ Re-install the battery pack. ■ Charge the battery pack with EGO chargers listed in this manual.
Trimmer head will not advance line (only using with trimmer head).	<ul style="list-style-type: none"> ■ The motor shaft or trimmer head is bound with grass. ■ There is not enough line on the spool. ■ The trimmer head is dirty. ■ Line is tangled on spool. ■ The line is too short. 	<ul style="list-style-type: none"> ■ Stop the machine, remove the battery and remove the grass from the motor shaft and trimmer head. ■ Remove the battery and replace the cutting line, follow the section "LINE REPLACEMENT" in this manual. ■ Remove the battery and clean the spool, spool retainer and spool base. ■ Remove the battery, remove the line from the spool and rewind, follow the section "LINE REPLACEMENT" in this manual. ■ Remove the battery and pull the lines while alternately pressing down on and releasing the bump knob.



WARRANTY

EGO WARRANTY POLICY

5 year warranty on EGO outdoor power equipment and 3 year warranty on EGO Power+ System battery packs and chargers.

Please contact EGO customer service on Australia 1300 000 EGO(1300 000 346), New Zealand 0508 000 EGO (0508 000 346) any time you have questions or warranty claims.

LIMITED SERVICE WARRANTY

FOR FIVE YEARS from the date of original retail purchase, this EGO product is warranted against defects in material or workmanship. Defective product will receive free repair.

FOR THREE YEARS from the date of original retail purchase, the EGO Power+ System battery pack and charger are warranted against defects in material or workmanship. Defective product will receive free repair.

This warranty does not cover routine maintenance parts and consumables that can wear out from normal use within the warranty period.

- This warranty applies only to the original purchaser at retail and may not be transferred.
- The warranty period for any EGO product or part used for industrial, professional or commercial purpose is one year.
- This warranty is void if the product has been used for rental purpose.
- This warranty does not cover the damage resulting from modification, alteration or unauthorised repair.
- This warranty only covers defects arising under normal usage and does not cover any malfunction, failure or defect resulting from misuse, abuse (including overloading of the product beyond capacity and exposure to water or rain), accidents, neglect or lack of proper installation, and improper maintenance or storage.
- This warranty does not cover normal deterioration of the exterior finish, including but not limited to scratches, dents, paint chips, or to any corrosion or discoloring by heat, abrasive and chemical cleaners.

HOW TO OBTAIN SERVICE

For warranty service, please contact EGO customer service on Australia 1300 000 EGO(1300 000 346), New Zealand 0508 000 EGO (0508 000 346). When requesting warranty service, you must present the original dated sales receipt. An authorized service center will be selected to repair the product according to the stated warranty terms.

ADDITIONAL LIMITATIONS

Chervon Australia Pty Ltd ABN 36 165 077 501 ("Chervon") warrants to the original domestic purchaser that this product will be free from defects in materials and workmanship for 5 years from date of purchase, and any battery or charger will be free from defects in materials and workmanship for 3 years from date of purchase. To make a claim, return the faulty item together with proof of purchase directly to your closest service agent or to the place of purchase. Any handling and transportation costs (and other expenses incurred in claiming this warranty) are not covered by this warranty and will not be borne by Chervon. The replacement product or part or repaired product will be made available for your collection at an address nominated by Chervon. Where a valid warranty claim is made, Chervon will replace the defective product or repair the fault. Where the product is repaired, Chervon may use refurbished parts. This warranty does not cover normal wear and tear, misuse or abuse. This warranty may also be further limited or voided as specifically detailed in the product Manual. Chervon has no other liability under this warranty. The benefits to you given by this warranty are in addition to other rights and remedies imposed by State and Federal legislation that cannot be excluded. Our goods come with guarantees that cannot be excluded under the Australian Consumer Law. You are entitled to a replacement or refund for a major failure and compensation for any other reasonably foreseeable loss or damage. You are also entitled to have the goods repaired or replaced if the goods fail to be of acceptable quality and the failure does not amount to a major failure. Chervon Australia Pty Ltd, Unit 13, 1488 Ferntree Gully Rd, Knoxfield, VIC. 3180. Phone Number: Australia 1300 000 EGO(1300 000 346), New Zealand 0508 000 EGO (0508 000 346). Email address: support@egopowerplus.com.au.

