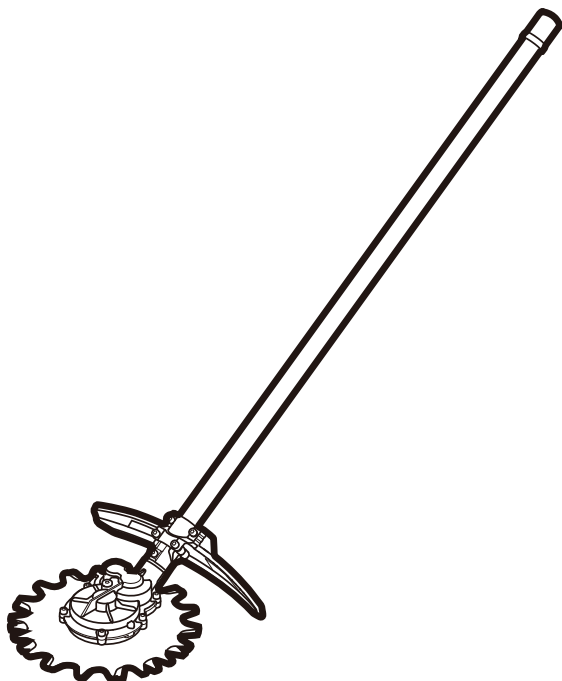


EGO™

POWER⁺ MULTI TOOL



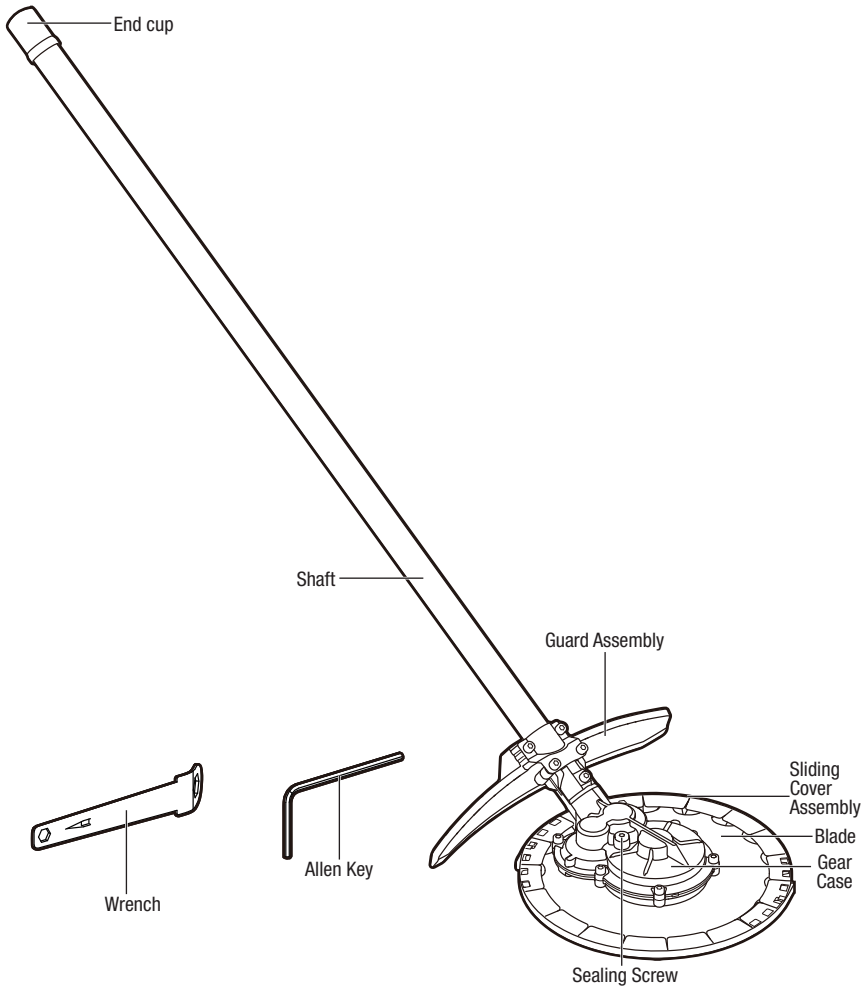
OPERATOR'S MANUAL

RTOCUT ATTACHMENT

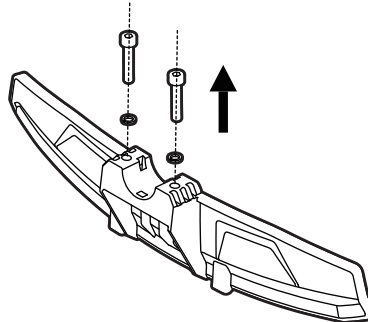
MODEL NUMBER RTA2300

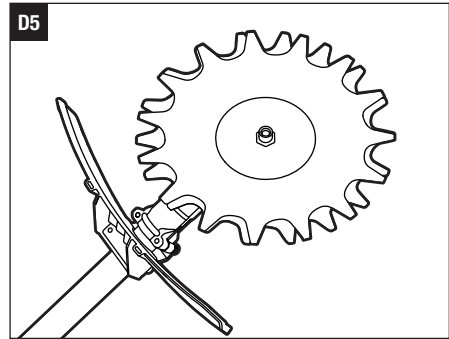
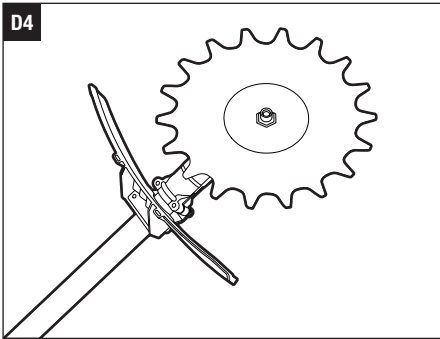
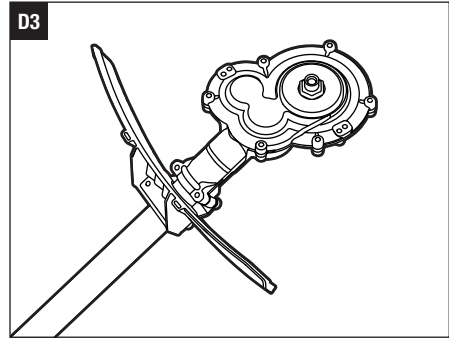
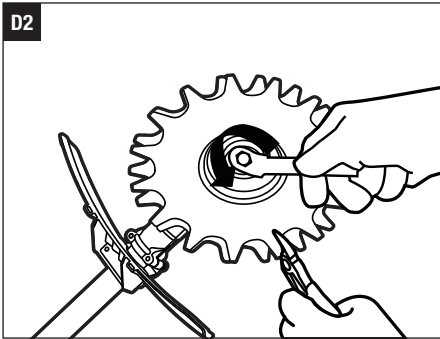
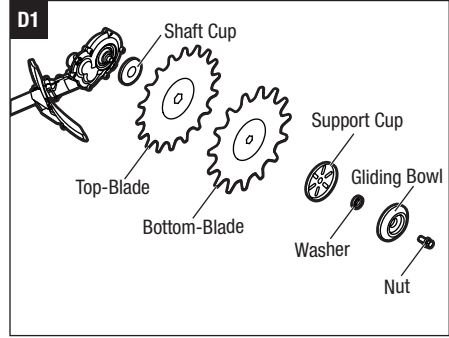
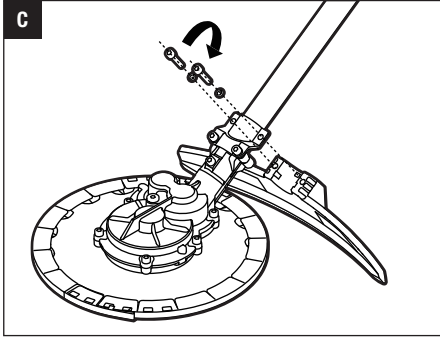
⚠ WARNING: To reduce the risk of injury, the user must read and understand the Operator's Manual before using this product. Save these instructions for future reference.

A



B





EN READ ALL INSTRUCTIONS!



READ OPERATOR'S MANUAL

⚠ Residual risk! People with electronic devices, such as pacemakers, should consult their physician(s) before using this product. Operation of electrical equipment in close proximity to a heart pacemaker could cause interference or failure of the pacemaker.

⚠ WARNING: To ensure safety and reliability, all repairs and replacements should be performed by a qualified service technician.

SAFETY SYMBOL

The purpose of safety symbols is to attract your attention to possible dangers. The safety symbols and the explanations with them deserve your careful attention and understanding. The symbol warnings do not, by themselves, eliminate any danger. The instructions and warnings they give are no substitutes for proper accident prevention measures.

⚠ WARNING: Be sure to read and understand all safety instructions in this Operator's Manual, including all safety alert symbols such as "DANGER," "WARNING," and "CAUTION" before using this tool. Failure to follow all instructions listed below may result in electric shock, fire, and/or serious personal injury.

SYMBOL MEANING

⚠ SAFETY ALERT SYMBOL: Indicates DANGER, WARNING, OR CAUTION, may be used in conjunction with other symbols or pictographs.

⚠ WARNING: The operation of any power tools can result in foreign objects being thrown into your eyes, which can result in severe eye damage. Before beginning power tool operation, always wear safety goggles or safety glasses with side shields and a full-face shield when needed. We recommend a Wide Vision Safety Mask for use over eyeglasses or standard safety glasses with side shields.

SAFETY INSTRUCTIONS

This page depicts and describes safety symbols that may appear on this product. Read, understand, and follow all instructions on the machine before attempting to assemble and operate it.

	Safety Alert	Precautions that involve your safety.
	Read Operator's Manual	To reduce the risk of injury, user must read and understand operator's manual before using this product.
	Wear Eye Protection	Always wear safety goggles or safety glasses with side shields and a full face shield when operating this product.
	Wear Ear Protection	Always wear ear protection when operating this product.
	Wear Head Protection	Wear an approved safety hard hat to protect your head.
	Wear Protective Gloves	Protect your hands with gloves when handling blade or blade guard.
	Wear Safety Footwear	Wear non-slip safety footwear when using this equipment.
	Beware of blade thrust	Warn the operator of the danger of blade thrust.
	Do Not Expose To Rain	Do not use in the rain or leave outdoors while it is raining.
	Ricochet and Keep Bystanders Away	Thrown objects can ricochet and result in personal injury or property damage. Ensure that other people and pets remain away from the brush cutter when it is in use.
	Keep Bystanders Away	Ensure that other people and pets remain at least 15m away from the line trimmer when it is in use.
	No round blade	Do not install round cutting blades.
	WEEE	Waste electrical products should not be disposed of with household waste. Take to an authorized recycler.

	Noise	Guaranteed sound power level. Noise emission to the environment according to the European community's Directive
	CE	This product is in accordance with applicable EC directives.
V	Volt	Voltage
n ₀	No Load Speed	Rotational speed, at no load
min ⁻¹	Per Minute	Revolutions per minute
	Direct Current	Type or a characteristic of current
kg	Kilogram	Weight

- Blade thrust can occur without warning if the blade snags, stalls or binds.
- Blade thrust is more likely to occur in areas where it is difficult to see the material being cut.
- **Do not attach any blade to a unit without proper installation of all required parts. Failure to use the proper parts can cause the blade to fly off and seriously injure the operator and/or bystanders. Discard blades that are bent, warped, cracked, broken, or damaged in any way. Use a sharp blade. A dull blade is more likely to snag and thrust.**
- **A coasting blade/line can cause injury while it continues to spin after the motor is stopped or trigger is released. Maintain proper control until the blade/line has completely stopped rotating.**
- **Battery tools do not have to be plugged into an electrical outlet; therefore, they are always in operating condition.** Be aware of possible hazards even when the tool is not operating. Take care when performing maintenance or service.
- **Do not wash with a hose; avoid getting water in motor and electrical connections.**
- **If situations occur that are not covered in this manual, use care and good judgment. Contact the EGO Customer Service Center for assistance.**
- Use only with battery packs and chargers listed below.

IMPORTANT SAFETY INSTRUCTIONS

⚠ WARNING: Read all safety warnings, instructions, illustrations and specifications provided with this power tool. Failure to follow all instructions listed below may result in electric shock, fire and/or serious injury.

Save all warnings and instructions for future reference.

- **Avoid Dangerous Environments** – Don't use appliances on damp or wet slope.
- **Keep guards in place and in working order.**
- **Keep hands and feet away from the cutting area.**
- **To reduce the risk of injury, never work on a ladder or on any other insecure support. Never hold the cutting unit above waist height.**
- **Check the cutting unit at regular short intervals during operation, or immediately if there is a noticeable change in cutting behavior.**
- **For best results, your battery should be charged in a location where the temperature is greater than 5°C and less than 40°C.** Do not store it outside or in vehicles.
- **If you are approached, stop the motor and cutting unit.**
- **Warn the operator of the danger of blade thrust.**
- Blade thrust may occur when the spinning blade contacts an object that it does not immediately cut.
- Blade thrust can be violent enough to cause the unit and/or operator to be propelled in any direction, and possibly lose control of the unit.

BATTERY PACK	CHARGER
BA1400, BA2800, BA4200, BA1400T, BA2800T, BA4200T, BA5600T	CH5500E, CH2100E

SAVE THESE INSTRUCTIONS!

SPECIFICATIONS

No-load Speed	450±5%rpm
Cutting Blade	ABR2300
Recommended Operating Temperature	0°C-40°C
Recommended Storage Temperature	-20°C-70°C
Weight (without battery pack)	2.6 kg

- The declared vibration total value has been measured in accordance with a standard test method and may be used for comparing one tool with another;

- The declared vibration total value may also be used in a preliminary assessment of exposure.

NOTICE: The vibration emission during actual use of the power tool can differ from the declared value in which the tool is used; In order to protect the operator, user should wear gloves and ear protectors in the actual conditions of use.

PACKING LIST

PART NAME	QUANTITY
ROTOCUT	1
Guard Assembly	1
Wrench	1
Allen Key	1
Bush	1
Operator's Manual	1

DESCRIPTION

KNOW YOUR ROTO CUT ATTACHMENT (Fig. A)

1. Sealing Screw
2. Gear Case
3. Blade
4. Sliding Cover Assembly
5. Guard Assembly
6. Shaft
7. End cup
8. Wrench
9. Allen Key

ASSEMBLY

⚠ WARNING: If any parts are damaged or missing, do not operate this product until the parts are replaced. Use of this product with damaged or missing parts could result in serious personal injury.

⚠ WARNING: Do not attempt to modify this product or create accessories not recommended for use with this machine. Any such alteration or modification is misuse and could result in a hazardous condition leading to possible serious personal injury.

MOUNTING THE GUARD

⚠ WARNING: Always wear gloves when mounting or replacing the guard. Take care of the blade on the guard and protect your hand from cutting.

⚠ WARNING: Never operate the tool without the guard firmly in place. The guard must always be on the tool to protect the user! When the guard is fixed, never attempt to remove or adjust the guard, if a replacement is needed, it should be performed by a qualified service technician!

Loosen and remove the two screws from the guard (Fig. B), align the guard mounting holes with the assembly holes and then lock the guard onto the shaft base with the two screws, together with two spring washers (Fig. C).

⚠ WARNING: Make sure the guard is fixed according to Fig. B & C, any reverse fixing will cause great danger!

CONNECTING THE ROTO CUT ATTACHMENT TO THE POWER HEAD

This rotocut attachment is designed for use with EGO Power Head PH1400E. See “**INSTALLING AN ATTACHMENT TO THE POWER HEAD**” section in the power head PH1400E operator’s manual.

OPERATION

⚠ WARNING: Do not allow familiarity with this product to make you careless. Remember that a careless fraction of a second is sufficient to inflict serious injury.

⚠ WARNING: Do not use any attachments or accessories not recommended by the manufacturer of this product. The use of attachments or accessories not recommended can result in serious personal injury.

You may use this product for the purposes listed below:

Cutting: used for cutting the grass around stakes or guard rails, wall edges, road curbs, fences in the running traffic, or trimming the vegetation on parking lots.

NOTICE: When using the rotocut attachment, ensure that no foreign objects are thrown out which entails strong risks: broken windows, dented car bodies, slit fences, torn tree bark or personal injury.

USING THE ROTO CUT ATTACHMENT WITH POWER HEAD

⚠ WARNING: To avoid serious personal injury, wear goggles or safety glasses at all times when operating this unit. Wear a face mask or dust mask in dusty locations.

Clear the area to be cut before each use. Remove all objects, such as rocks, broken glass, nails, wire, or line, that can be thrown or become entangled in the cutting attachment. Clear the area of children, bystanders, and pets. At a minimum, keep all children, bystanders and pets at least 15m away;

there still may be risk to bystanders from thrown objects. Bystanders should be encouraged to wear eye protection. If you are approached, stop the motor and cutting attachment immediately.

Before each use, check for damage/worn parts

Check the rotocut attachment, guard and loop handle and replace the parts that are cracked, warped, bent, or damaged in any way.

After each use, clean the tool.

⚠ CAUTION: Obstructions in the vents will prevent the air from flowing into the motor housing and result in overheating or damaged of the motor.

- Use only mild soap and a damp cloth to clean the tool. Never let any liquid get inside the tool; never immerse any part of the tool into a liquid.
- Keep air vents in the motor housing from debris at all times.

MAINTENANCE

⚠ WARNING: When servicing, use only identical replacement parts. Inspect and maintain the machine regularly. To ensure safety and reliability, all repairs should be performed by a qualified service technician.

⚠ WARNING: Battery tools do not have to be plugged into an electrical outlet; therefore, they are always in operating condition. To prevent serious personal injury, take extra precautions and care when performing maintenance, service or for changing the cutting attachment or other attachments.

⚠ WARNING: To prevent serious personal injury, unplug the battery connector from the socket before servicing, cleaning, changing add-on attachments or removing material from the unit.

ROTOCUT BLADE REPLACEMENT

⚠ WARNING: If the blades become loose after it is fixed in position or the blades are badly worn, replace the blades immediately. Never use a tool with a loose or ineffective cutting attachment.

Know the ROTO-CUT head as Fig. D1 shown.

D-1	Shaft Cup	D-2	Top-Blade
D-3	Bottom-Blade	D-4	Support Cup
D-5	Washer	D-6	Gliding Bowl
D-7	Nut		

1. Place the gear case of the ROTO-CUT head against a solid surface. Clamp the up and down blades with pliers or in a vise, then use the wrench to loosen the nut (Fig. D2).
 2. Remove the nut, gliding bowl, washer, support cup, down blade, up blade and shaft cup in sequence as Fig. D1 shown.
 3. Before installing new blades, put the shaft cup on the shaft (Fig. D3). Put the top-blade with big hexagonal hole onto the shaft with the surface printed “EGO” logo facing toward the gear case (Fig. D4), then put the bottom-blade with small hexagonal hole onto the shaft with the surface printed EGO” logo facing toward operator (Fig. D5).
- NOTICE:** Make sure the hexagon holes on the blades and hexagon shaft shoulder fit in place. Otherwise once the blades are mounted reversely, the ROTO-CUT ATTACHMENT cannot work correctly and will damage the blades.
4. Follow the sequence shown in Fig. D1 to reassemble them.

LUBRICATE THE GEAR CASE

For best operation and longer lifetime, lubricate the gear case with a special grease (4-5g each time) after every 50 hours’ operation.

The special grease should meet the following requirements.

1. Belong to DIN51818: NLGI-1 cone penetration degree.
2. Ester base grease.
3. Excellent low-temperature startup, EP, mechanical shearing, abrasion resistance and oxidative stability properties.
4. Operation temperature must contain -40~180°C. Remove the battery plug and the sealing screw. Lubricating the gear case through the oil-hole.

⚠ WARNING: Do not lubricate while the machine is still connected with battery or running.

CLEANING THE UNIT

- Clean the unit using a damp cloth with a mild detergent.
- Do not use any strong detergents on the plastic housing or the handle. They can be damaged by certain aromatic oils, such as pine and lemon, and by solvents such as kerosene. Moisture can also cause a shock hazard. Wipe off any moisture with a soft dry cloth.

EN**STORING THE UNIT**

- Clean the tool thoroughly before storing it.
- Store the unit in a dry, well-ventilated area, locked-up or up high, out of the reach of children. Do not store the unit on or adjacent to fertilizers, petrol, or other chemicals.
- Use of a transport cover for metal blades during transport and storage.

Protecting the environment

Do not dispose of electrical appliances as unsorted municipal waste, use separate collection facilities.

Contact your local government for information regarding the collection systems available.

If electrical appliances are disposed of in landfills or dumps, hazardous substances can leak into the groundwater and get into the food chain, damaging your health and well-being.



TROUBLESHOOTING

EN

PROBLEM	CAUSE	SOLUTION
ROTOCUT fails to start.	<ul style="list-style-type: none">▪ The battery pack is not properly connected to the power head.▪ The battery pack is depleted.▪ The lock-off lever and trigger are not depressed simultaneously.	<ul style="list-style-type: none">▪ Connect the battery pack to the power head.▪ Charge the battery pack with an EGO charger listed in this manual.▪ Press the lock-off lever and hold it, then depress the trigger to turn on the unit.
ROTOCUT stops while cutting.	<ul style="list-style-type: none">▪ The motor is overloaded.▪ The battery pack is too hot.▪ The battery pack is disconnected from the tool	<ul style="list-style-type: none">▪ The motor will recover when the load is removed. For continuous work, decrease the load on the ROTO CUT and avoid deep cutting; instead, make progressively deeper cuts.▪ Allow the battery pack to cool down naturally, or air blow to speed up the cooling.▪ Reconnect the battery pack.



EN WARRANTY

EGO WARRANTY POLICY

5 years warranty on EGO outdoor power equipment and 3 years warranty on EGO Power+ System battery packs and chargers.

Please contact EGO customer service on Australia 1300 000 EGO(1300 000 346),

New Zealand 0508 000 EGO (0508 000 346) any time you have questions or warranty claims.

LIMITED SERVICE WARRANTY

FOR FIVE YEARS from the date of original retail purchase, this EGO product is warranted against defects in material or workmanship. Defective product will receive free repair.

FOR THREE YEARS from the date of original retail purchase, the EGO Power+ System battery pack and charger are warranted against defects in material or workmanship. Defective product will receive free repair.

This warranty does not cover the blade, which is a part that can wear out from normal use within the warranty period.

- This warranty applies only to the original purchaser at retail and may not be transferred.
- The warranty period for any EGO product or part used for industrial, professional or commercial purpose is one year.
- This warranty is void if the product has been used for rental purpose.
- This warranty does not cover the damage resulting from modification, alteration or unauthorised repair.
- This warranty only covers defects arising under normal usage and does not cover any malfunction, failure or defect resulting from misuse, abuse (including overloading of the product beyond capacity and exposure to water or rain), accidents, neglect or lack of proper installation, and improper maintenance or storage.
- This warranty does not cover normal deterioration of the exterior finish, including but not limited to scratches, dents, paint chips, or to any corrosion or discoloring by heat, abrasive and chemical cleaners.

HOW TO OBTAIN SERVICE

For warranty service, please contact EGO customer service on Australia 1300 000 EGO(1300 000 346), New Zealand 0508 000 EGO (0508 000 346). When requesting warranty service, you must present the original dated sales receipt. An authorised service center will be selected to repair the product according to the stated warranty terms.

ADDITIONAL LIMITATIONS

Chervon Australia Pty Ltd ABN 36 165 077 501 (“Chervon”) warrants to the original domestic purchaser that this product will be free from defects in materials and workmanship for 5 years from date of purchase, and any battery or charger will be free from defects in materials and workmanship for 3 years from date of purchase. To make a claim, return the faulty item together with proof of purchase directly to your closest service agent or to the place of purchase. Any handling and transportation costs (and other expenses incurred in claiming this warranty) are not covered by this warranty and will not be borne by Chervon. The replacement product or part or repaired product will be made available for your collection at an address nominated by Chervon. Where a valid warranty claim is made, Chervon will replace the defective product or repair the fault. Where the product is repaired, Chervon may use refurbished parts. This warranty does not cover normal wear and tear, misuse or abuse. This warranty may also be further limited or voided as specifically detailed in the product Manual. Chervon has no other liability under this warranty. The benefits to you given by this warranty are in addition to other rights and remedies imposed by State and Federal legislation that cannot be excluded. Our goods come with guarantees that cannot be excluded under the Australian Consumer Law. You are entitled to a replacement or refund for a major failure and compensation for any other reasonably foreseeable loss or damage. You are also entitled to have the goods repaired or replaced if the goods fail to be of acceptable quality and the failure does not amount to a major failure. Chervon Australia Pty Ltd, Unit 14, 5 Kelletts Road, Rowville, VIC 3178. Phone Number: Australia 1300 000 EGO(1300 000 346), New Zealand 0508 000 EGO (0508 000 346). Email address: support@egopowerplus.com.au.

