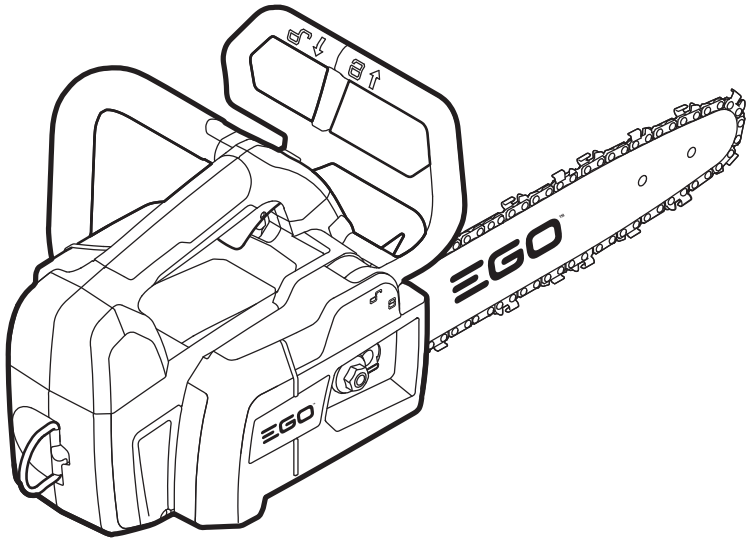


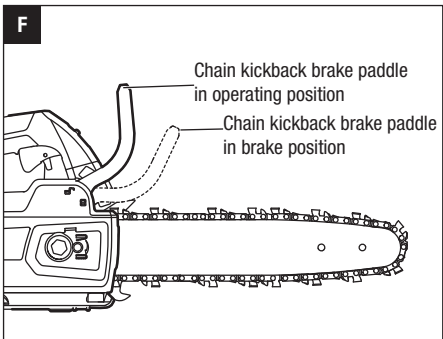
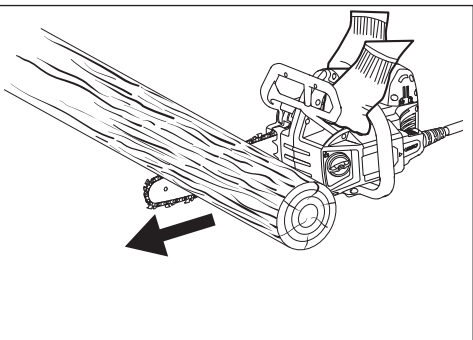
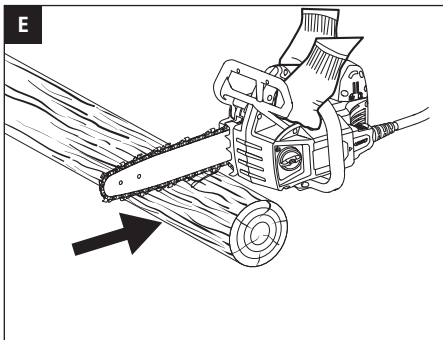
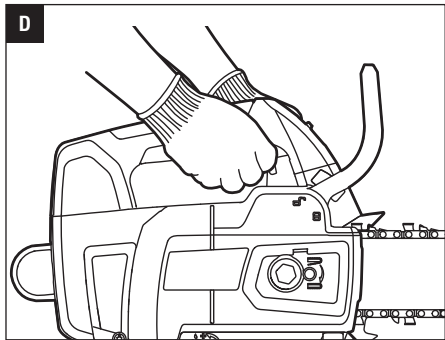
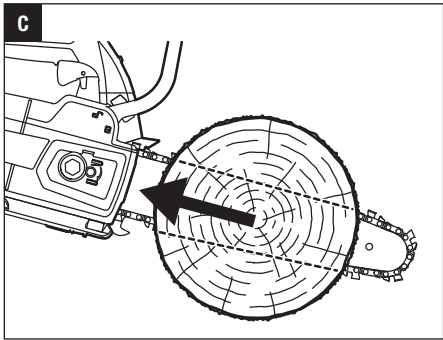
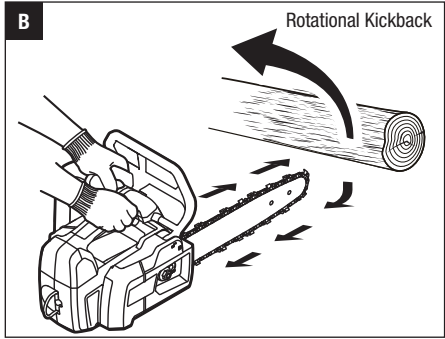
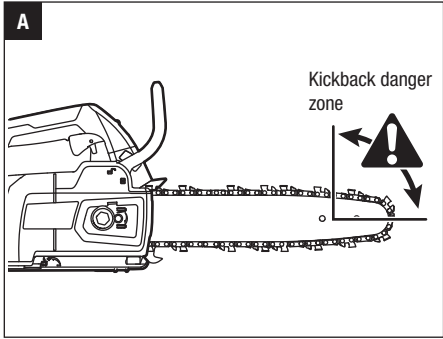
EGO™

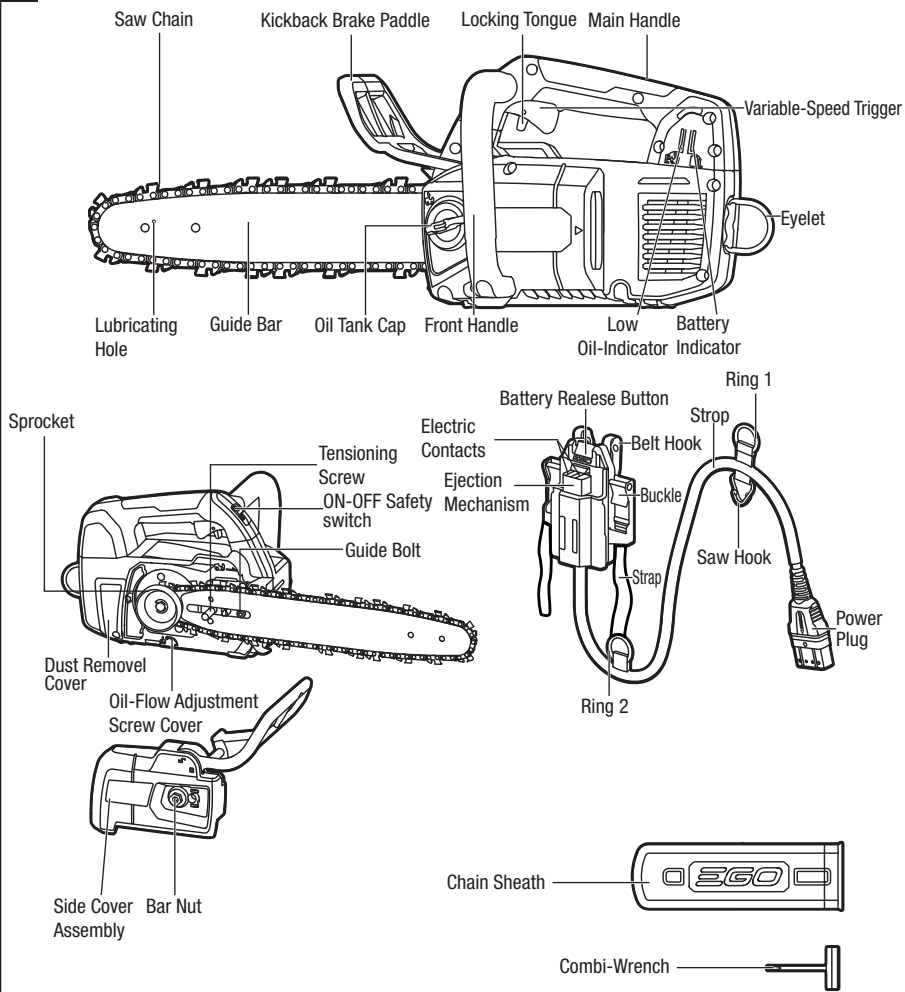
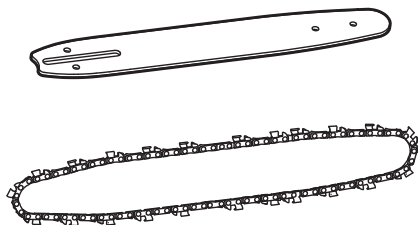
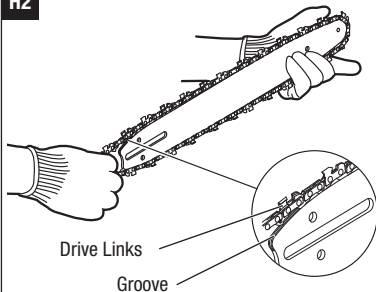
POWER⁺ TOP HANDLE CHAIN SAW



OPERATOR'S MANUAL
**CORDLESS TOP HANDLE
CHAIN SAW**
MODEL NUMBER CSX3000

⚠ WARNING: To reduce the risk of injury, the user must read and understand the Operator's Manual before using this product. Save these instructions for future reference.



G**H1****H2**

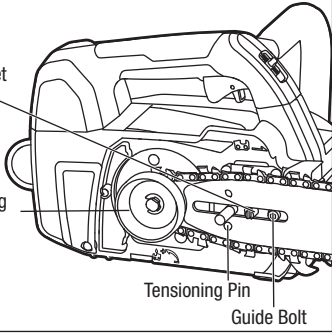
H3

Chain Sprocket

Tensioning Screw

Tensioning Pin

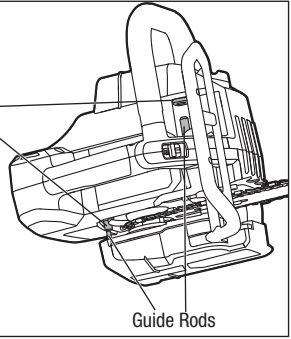
Guide Bolt



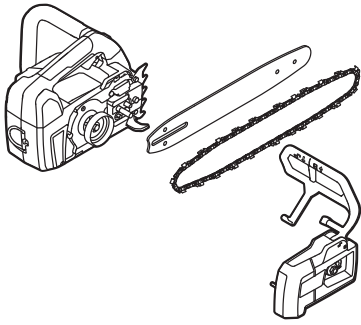
H4

Holes

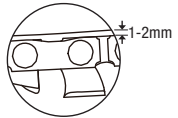
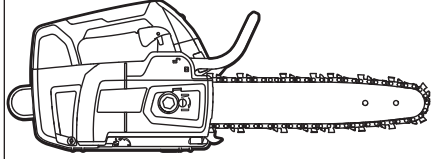
Guide Rods



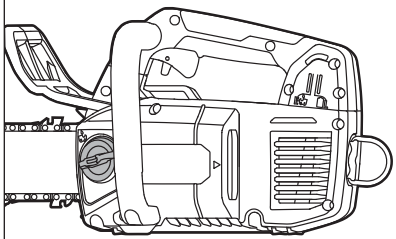
I



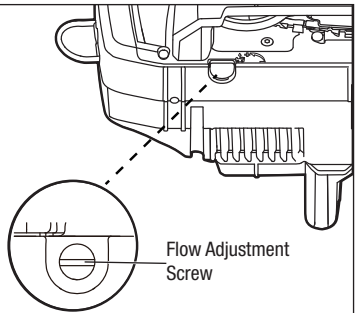
J



K



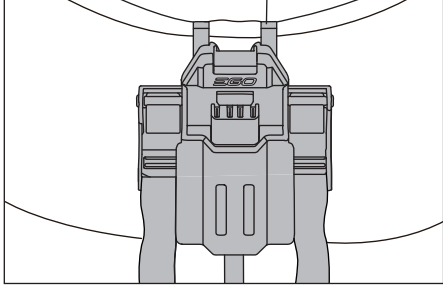
L



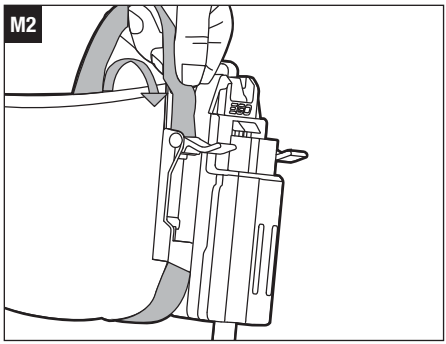
Flow Adjustment Screw

M1

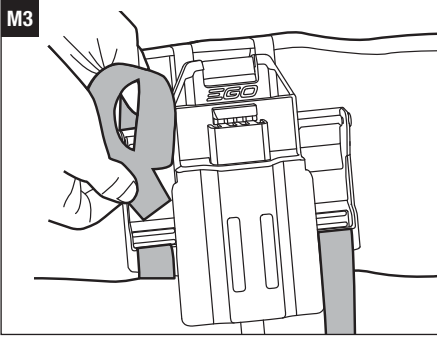
Belt Hook



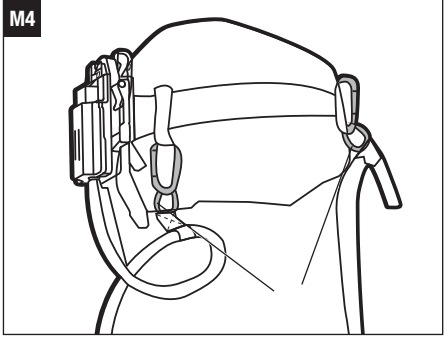
M2



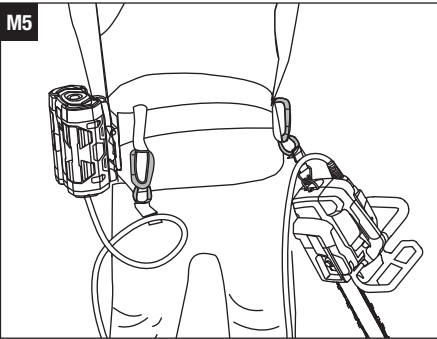
M3



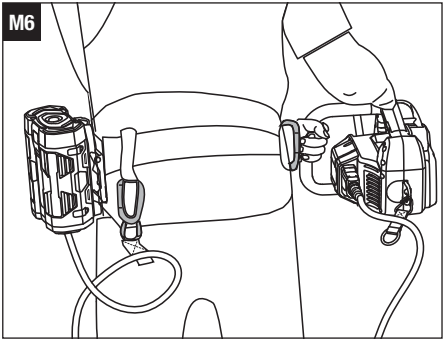
M4



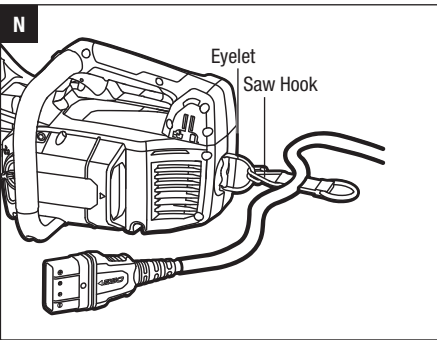
M5



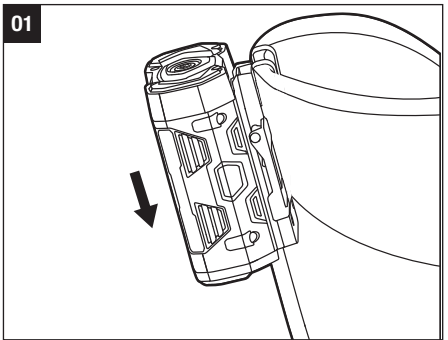
M6



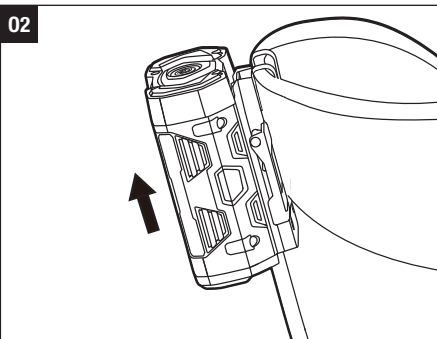
N



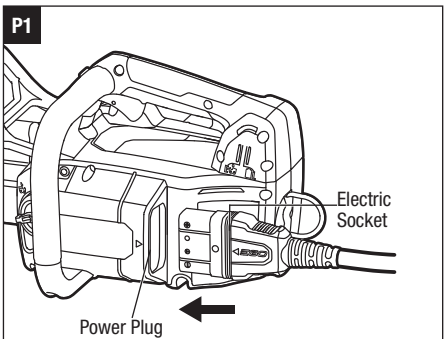
O1



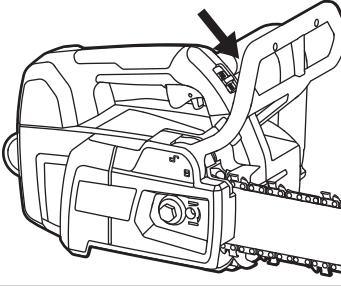
O2



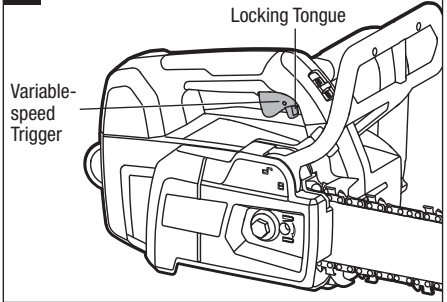
P1



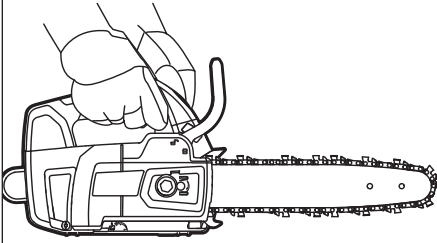
P2



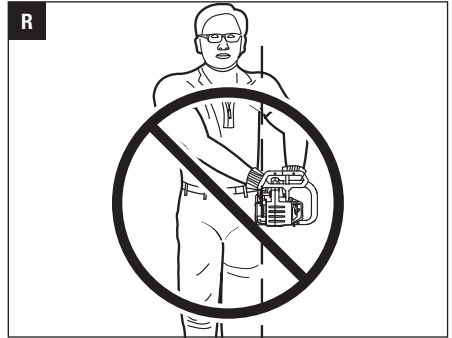
P3



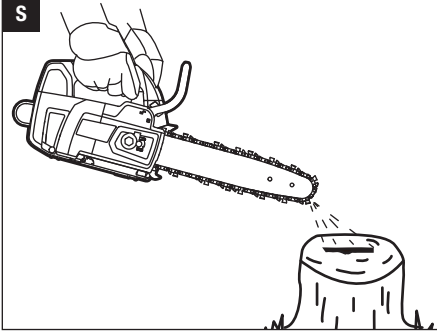
Q



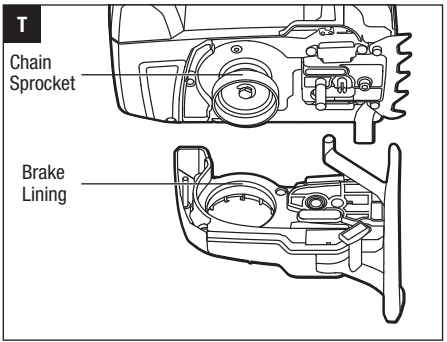
R



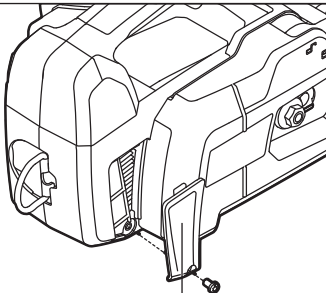
S



T

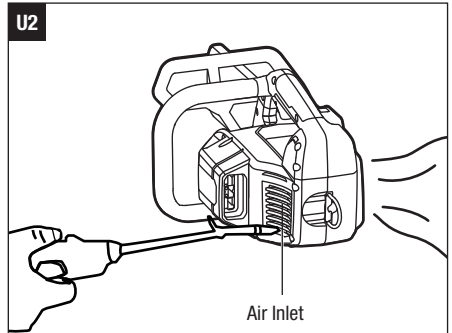


U1

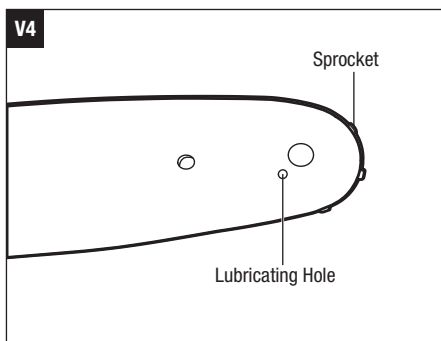
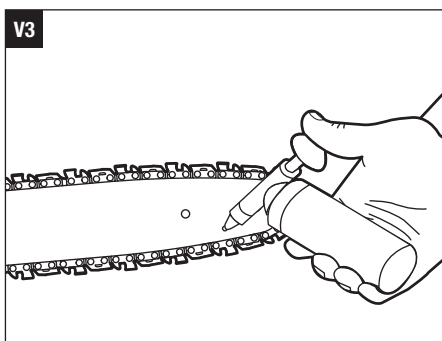
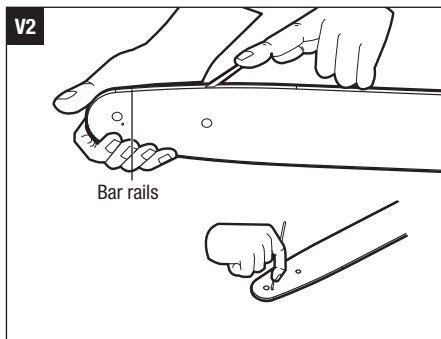
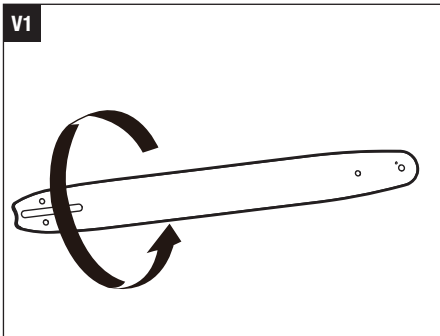


Dust Removal Cover

U2



Air Inlet



EN READ ALL INSTRUCTIONS!



READ OPERATOR'S MANUAL

⚠ Residual risk! People with electronic devices, such as pacemakers, should consult their physician(s) before using this product. Operation of electrical equipment in close proximity to a heart pacemaker could cause interference or failure of the pacemaker.

SAFETY SYMBOL

The purpose of safety symbols is to attract your attention to possible dangers. The safety symbols and the explanations with them deserve your careful attention and understanding. The symbol warnings do not, by themselves, eliminate any danger. The instructions and warnings they give are no substitutes for proper accident prevention measures.

⚠ WARNING: Be sure to read and understand all safety instructions in this Operator's Manual, including all safety alert symbols such as "DANGER," "WARNING," and "CAUTION" before using this tool. Failure to follow all instructions listed below may result in electric shock, fire, and/or serious personal injury.

SYMBOL MEANING

This page depicts and describes safety symbols that may appear on this product. Read, understand, and follow all instructions on the machine before attempting to assemble and operate it.

SAFETY SYMBOLS

	Safety Alert	Indicates a potential personal injury hazard.
	Read Operator's Manual	To reduce the risk of injury, user must read operator's manual.
	Wear heavy-duty work gloves made of durable material	Protect your hands with gloves when handling saw and saw chain. Heavy-duty, nonslip gloves improve your grip and protect your hands.

	Wear Safety Footwear	Wear non-slip safety footwear when using this equipment.
	Wear snug-fitting clothing	Wear snug-fitting clothing. Do not wear a scarf, necktie or jewelry.
	Appropriate ear, eye, and head protection must be worn	Wear close-fitting safety glasses, earplugs or ear muffs and a safety hard hat with chin strap.
	Be Aware of Kickback	Contact of the guide bar tip with any object should be avoided
	Two Handed Hold	Always use two hands when operating the chain saw.
	Guide Bar Tip Kickback	Tip contact can cause the guide bar to move suddenly upward and backward, which can cause serious injury.
	Guide Bar	The information of guide bar.
	WEEE	Waste electrical products should not be disposed of with household waste. Take to an authorized recycler.
	Do Not Expose To Rain	Do not use in the rain or leave outdoors while it is raining.
V	Volt	Voltage

	Noise not be disposed of with household waste. Take to an authorized recycler	Guaranteed sound power level
	Direct Current	Type or a characteristic of current

- **Do not abuse the cord. Never use the cord for carrying, pulling or unplugging the power tool. Keep cord away from heat, oil, sharp edges or moving parts.** Damaged or entangled cords increase the risk of electric shock.
- **When operating a power tool outdoors, use an extension cord suitable for outdoor use.** Use of a cord suitable for outdoor use reduces the risk of electric shock.
- **If operating a power tool in a damp location is unavoidable, use a Ground-fault circuit interrupter protected supply.** Use of GFCI reduces the risk of electric shock.

GENERAL POWER TOOL SAFETY WARNINGS

⚠ WARNING: Read all safety warnings, instructions, illustrations and specifications provided with this power tool. Failure to follow all instructions listed below may result in electric shock, fire and/or serious injury

SAVE ALL WARNINGS AND INSTRUCTIONS FOR FUTURE REFERENCE.

The term “power tool” in the warnings refers to your mains-operated (corded) power tool or battery-operated (cordless) power tool.

WORK AREA SAFETY

- **Keep work area clean and well lit.** Cluttered or dark areas invite accidents.
- **Do not operate power tools in explosive atmospheres, such as in the presence of flammable liquids, gases or dust.** Power tools create sparks which may ignite the dust or fumes.
- **Keep children and bystanders away while operating a power tool.** Distractions can cause you to lose control.

ELECTRICAL SAFETY

- **Power tool plugs must match the outlet. Never modify the plug in any way. Do not use any adaptor plugs with earthed (grounded) power tools.** Unmodified plugs and matching outlets will reduce risk of electric shock
- **Avoid body contact with earthed or grounded surfaces, such as pipes, radiators, ranges and refrigerators.** There is an increased risk of electric shock if your body is earthed or grounded.
- **Do not expose power tools to rain or wet conditions.** Water entering a power tool will increase the risk of electric shock.

PERSONAL SAFETY

- **Stay alert, watch what you are doing and use common sense when operating a power tool. Do not use a power tool while you are tired or under the influence of drugs, alcohol medication.** A moment of inattention while operating power tools may result in serious personal injury.
- **Use personal protective equipment. Always wear eye protection.** Protective equipment such as a dust mask, non-skid safety shoes, hard hat or hearing protection used for appropriate conditions will reduce personal injuries.
- **Prevent unintentional starting. Ensure the switch is in the off-position before connecting to power source and/or battery pack, picking up or carrying the tool.** Carrying power tools with your finger on the switch or energizing power tools that have the switch on invites accidents.
- **Remove any adjusting key or wrench before turning the power tool on.** A wrench or a key left attached to a rotating part of the power tool may result in personal injury.
- **Do not overreach. Keep proper footing and balance at all times.** This enables better control of the power tool in unexpected situations.
- **Dress properly. Do not wear loose clothing or jewellery. Keep your hair, clothing and gloves away from moving parts.** Loose clothes, jewelry or long hair can be caught in moving parts.
- **If devices are provided for the connection of dust extraction and collection facilities, ensure these are connected and properly used.** Use of dust devices can reduce dust-related hazards.
- **Do not let familiarity gained from frequent use of tools allow you to become complacent and ignore tool safety principles.** A careless action can cause severe injury within a fraction of a second

POWER TOOL USE AND CARE

- **Do not force the power tool. Use the correct power tool for your application.** The correct power tool will do the job better and safer at the rate for which it was designed.
- **Do not use the power tool if the switch does not turn it on and off.** Any power tool that cannot be controlled with the switch is dangerous and must be repaired.
- **Disconnect the plug from the power source and/ or the battery pack from the power tool before making any adjustments, changing accessories, or storing power tools.** Such preventive safety measures reduce the risk of starting the power tool accidentally.
- **Store idle power tools out of the reach of children and do not allow persons unfamiliar with the power tool or these instructions to operate the power tool.** Power tools are dangerous in the hands of untrained users.
- **Maintain power tools and accessories. Check for misalignment or binding of moving parts, breakage of parts and any other condition that may affect the power tool's operation. If damaged, have the power tool repaired before use.** Many accidents are caused by poorly maintained power tools.
- **Keep cutting tools sharp and clean.** Properly maintained cutting tools with sharp cutting edges are less likely to bind and are easier to control.
- **Use the power tool, accessories and tool bits etc. in accordance with these instructions, taking into account the working conditions and the work to be performed.** Use of the power tool for operations different from those intended could result in a hazardous situation.
- **Keep handles and grasping surfaces dry, clean and free from oil and grease.** Slippery handles and grasping surfaces may lead to unsafe handling and/or loss of control of the tool.

BATTERY TOOL USE AND CARE

- **Recharge only with the charger specified by the manufacturer.** A charger that is suitable for one type of battery pack may create a risk of fire when used with another battery pack.
- **Use power tools only with specifically designated battery packs.** Use of any other battery packs may create a risk of injury and fire.
- **When battery pack is not in use, keep it away from other metal objects, like paper clips, coins, keys, nails, screws or other small metal objects, that can make a connection from one terminal to another.** Shorting the battery terminals together may cause burns or a fire.

- **Under abusive conditions, liquid may be ejected from the battery; avoid contact. If contact accidentally occurs, flush with water. If liquid contacts eyes, additionally seek medical help.** Liquid ejected from the battery may cause irritation or burns.
- **Do not use a battery pack or tool that is damaged or modified.** Damaged or modified batteries may exhibit unpredictable behavior resulting in fire, explosion or risk of injury.
- **Do not expose a battery pack or tool to fire or excessive temperature.** Exposure to fire or temperature above 130°C may cause explosion.
- **Follow all charging instructions and do not charge the battery pack or tool outside the temperature range specified in the instructions.** Charging improperly or at temperatures outside the specified range may damage the battery and increase the risk of fire.

SERVICE

- **Have your power tool serviced by a qualified repair person using only identical replacement parts.** This will ensure that the safety of the power tool is maintained.
- **Never service damaged battery packs.** Service of battery packs should only be performed by the manufacturer or authorized service providers.

CHAIN SAW SAFETY WARNINGS

- **Keep all parts of the body away from the saw chain when the chain saw is operating. Before you start the chain saw, make sure the saw chain is not contacting anything.** A moment of inattention while operating chain saws may cause entanglement of your clothing or body with the chain.
- **Always hold the chain saw with your right hand on the rear handle and your left hand on the front handle.** Holding the chain saw with a reversed hand configuration increases the risk of personal injury and should never be done.
- **Hold the chain saw by insulated gripping surfaces only, because the saw chain may contact hidden wiring.** Saw chains contacting a “live” wire may make exposed metal parts of the power tool “live” and could give the operator an electric shock.
- **Wear eye protection. Further protective equipment for hearing, head, hands, legs and feet is recommended.** Adequate protective clothing will reduce personal injury by flying debris or accidental contact with the saw chain.

- **Do not operate a chain saw in a tree, on a ladder, from a rooftop, or any unstable support.** Operation of a chain saw in this manner could result in serious personal injury.
- **Always keep proper footing and operate the chain saw only when standing on fixed, secure and level surface.** Slippery or unstable surfaces such as ladders may cause a loss of balance or control of the chain saw.
- **When cutting a limb that is under tension be alert for spring back.** When the tension in the wood fibers is released the spring loaded limb may strike the operator and/or throw the chain saw out of control.
- **Use extreme caution when cutting brush and saplings.** The slender material may catch the saw chain and be whipped toward you or pull you off balance.
- **Carry the chain saw by the front handle with the chain saw switched off and away from your body. When transporting or storing the chain saw always fit the guide bar cover.** Proper handling of the chain saw will reduce the likelihood of accidental contact with the moving saw chain.
- **Follow instructions for lubricating, chain tensioning and changing accessories.** Improperly tensioned or lubricated chain may either break or increase the chance for kickback.
- **Keep handles dry, clean, and free from oil and grease.** Greasy, oily handles are slippery causing loss of control.
- **Cut wood only. Do not use chain saw for purposes not intended. For example: do not use chain saw for cutting plastic, masonry or non-wood building materials.** Use of the chain saw for operations different than intended could result in a hazardous situation.
- **Do not attempt to fell a tree until you have an understanding of the risks and how to avoid them.** Serious injury could occur to the operator or bystanders while felling a tree.

CAUSES AND OPERATOR PREVENTION OF KICKBACK

Kickback may occur when the nose or tip of the guide bar touches an object, or when the wood closes in and pinches the saw chain in the cut (Fig. A).

Tip contact in some cases may cause a sudden reverse reaction, kicking the guide bar up and back towards the operator (Fig. B).

Pinching the saw chain along the top of the guide bar may push the guide bar rapidly back towards the operator (Fig. C).

Either of these reactions may cause you to lose control of the saw which could result in serious personal injury. Do not rely exclusively upon the safety devices built into your saw.

As a chain saw user, you should take several steps to keep your cutting jobs free from accident or injury.

Kickback is the result of tool misuse and/or incorrect operating procedures or conditions and can be avoided by taking proper precautions as given below:

- **Maintain a firm grip, with thumbs and fingers encircling the chain saw handles, with both hands on the saw and position your body and arm to allow you to resist kickback forces (Fig. D).** Kickback forces can be controlled by the operator, if proper precautions are taken. Do not let go of the chain saw.
- **Do not overreach and do not cut above shoulder height.** This helps prevent unintended tip contact and enables better control of the chain saw in unexpected situations.
- **Only use replacement bars and chains specified by the manufacturer.** Incorrect replacement bars and chains may cause chain breakage and/or kickback.
- **Follow the manufacturer's sharpening and maintenance instructions for the saw chain.** Decreasing the depth gauge height can lead to increased kickback.
- **Make sure that the area in which you are cutting is free from obstructions.** Do not let the nose of the guide bar contact a log, branch, fence, or any other obstruction that could be hit while you are operating the saw.
- **Always cut with the unit running at full speed.** Fully squeeze the switch trigger and maintain cutting speed.
- **With a basic understanding of kickback, you can reduce or eliminate the element of surprise.** Sudden surprise contributes to accidents.
- **Keep proper footing and balance at all times.**
- **Push and Pull** – The reaction force is always opposite to the direction the chain is moving where wood contact is made. Thus, the operator must be ready to control the PULL when cutting on the bottom edge of the bar, and the PUSH when cutting along the top edge (Fig. E).

KICKBACK SAFETY DEVICES ON THIS CHAIN SAW CHAIN BRAKE

The chain saw comes equipped with a chain brake, which stops both the motor and the motion of the chain when kickback occurs. The chain brake can be activated by the forward motion of the chain kickback brake handle as the saw rotates backward during kickback; it can also be activated by the inertial forces generated during rapid pushback.

⚠ WARNING: Never modify or attempt to disable the chain brake.

Make sure that the chain brake is working properly before using the chain saw. The chain kickback brake handle should move back and forth easily.

- To test the operation of the chain brake, perform the following steps (Fig. F):
- Place the chain saw on a flat bare surface and make sure no objects or obstructions that could come in contact with the bar and chain are in the immediate vicinity.
- Disengage the chain brake by pulling the chain kickback brake handle towards the front handle.
- Start the chain saw.
- Push the chain kickback brake handle towards the front of the saw. A properly functioning hand brake will stop the movement of the chain immediately. If the chain brake is not working properly, do not use the chain saw until it has been repaired by a qualified service technician.

⚠ WARNING: Confirm that the chain brake works properly before each use.

⚠ WARNING: If the chain brake is clogged with wood chips, the function of the chain brake may deteriorate. Always keep the device clean.

LOW KICKBACK SAW CHAIN

The rakers (depth gauges) ahead of each cutter can minimize the force of a kickback reaction by preventing the cutters from digging in too deeply at the kickback zone. Only use a replacement chain that is equivalent to the original chain or has been certified one.

⚠ CAUTION: As saw chains are sharpened during their useful life, they lose some of the low kickback qualities and extra caution should be used.

ADDITIONAL WARNINGS

- **A chain saw is intended for two-handed use.** Serious injury to the operator, helpers, and/or bystanders can result from one-handed operation.
- **Avoid unintentional contact with the stationary saw chain or guide bar rails.** These can be very sharp. Always wear gloves and long pants or chaps when handling the chain saw, saw chain, or guide bar.
- **Never operate a chain saw that is damaged or improperly adjusted or that is not completely and securely assembled.** Be sure that the saw chain stops moving when the trigger switch is released.

- **Inspect the work piece for nails, wire, or other foreign objects prior to cutting.**
- **When bucking, secure the work piece prior to cutting. When felling or pruning, identify and secure hazardous branches.**
- **Aggressive or abusive cutting or misuse of the chain saw can cause premature bar, chain, and/or sprocket wear, as well as broken chain or bar, leading to kickback, chain throw or the ejection of material.**
- **Never use the guide bar as a lever.** A bent guide bar can cause premature bar, chain, and/or sprocket wear, as well as a broken chain or bar, leading to kickback, chain throw or the ejection of material.
- **Cut only one work piece at a time.**
- **Use only with the battery packs and chargers listed below:**

BATTERY	CHARGER
BA1400, BA2800, BA4200, BA1400T, BA2800T, BA4200T, BA5600T	CH5500E, CH2100E

- **Do not charge the battery pack in rain or in wet locations.**
- **Plan the work, ensuring an obstacle-free work area and, in the case of felling, at least one escape path from the falling tree.**
- **When felling, keep bystanders at least two tree lengths away.**
- **If situations occur which are not covered in this manual, use care and good judgment. Contact EGO Customer Service for assistance.**

GUIDE BAR

This saw comes equipped with a guide bar that has a small radius nose. Small radius noses generally have less potential for kickback. When replacing the guide bar, be sure to order the bar listed in this manual.

SAVE THESE INSTRUCTIONS!

SPECIFICATIONS

Voltage	56 V
Recommended Operating Temperature:	-15°C-40°C
Recommended Storage Temperature:	-40°C-70°C
Optimum Charging Temperature	5°C-40°C
Cutting Length	300 mm
Chain speed	20 m/s
Chain Pitch	3/8" (9.5mm)
Chain Gauge	1.1 mm
Saw Chain Type	AC1200(Recommend) AC1400 (Compatible) AC1600 (Compatible)
Guide Bar Type	AG1200(Recommend) AG1400(Compatible) AG1600(Compatible)
Weight (without battery pack, chain sheath)	3.5 kg

DESCRIPTION

KNOW YOUR CHAIN SAW (Fig. G)

- Saw Chain
- Kickback Brake Paddle
- Locking Tongue
- Main Handle
- Variable-Speed Trigger
- Eyelet
- Battery Indicator
- Low Oil-Indicator
- Front Handle
- Oil Tank Cap
- Guide Bar
- Lubricating Hole
- Sprocket
- Tensioning Screw
- ON-OFF Safety switch
- Guide Bolt
- Bar Nut
- Side Cover Assembly
- Oil-Flow Adjustment Screw Cover
- Dust Removal Cover
- Ejection Mechanism
- Electric Contacts
- Battery Release Button
- Belt Hook

- Buckle
- Strap
- Strop
- Ring 1
- Saw Hook
- Power Plug
- Ring 2
- Chain Sheath
- Combi-Wrench

PACKING LIST

PART NAME	QUANTITY
Chain Saw	1
Chain Sheath	1
Guide Bar	1
Saw Chain	1
Battery Holster	1
Combi-wrench	1
Operator's Manual	1

ASSEMBLY

ASSEMBLING/ DISASSEMBLING THE BAR AND CHAIN

WARNING: Always disconnect the power plug, and wear protective gloves before you assemble or do maintenance on the product.

WARNING: Read all safety warnings, instructions, illustrations and specifications provided with this power tool. Failure to follow all instructions listed below may result in electric shock, fire and/or serious injury.

Save all warnings and instructions for future reference.

- Ensure the kickback brake paddle is set to position.
- Unscrew the **bar nut** anticlockwise to take off the **side cover assembly**.
- Lay the saw chain in a loop on a flat surface and straighten any kinks (Fig. H1).
- Place the **drive links** into the **groove** on guide bar and make the chain a loop at the back of the guide bar (Fig. H2).
- Hold the chain in position on the guide bar and place the loop around the **chain sprocket** of the power head and check the following items (Fig. H3):
 - Chain drive links are seated in the teeth of **chain sprocket**.

- b) **Tensioning screw** and **guide bolt** locates in the slot of guide bar. **Tensioning pin** is engaged in the hole of guide bar.

NOTICE: Make sure that the direction of the arrows on the saw chain teeth is always facing forward (Fig. H3).

- Refer to the section "**TENSIONING THE SAW CHAIN**" to ensure the chain is properly assembled without binding.
- Align two **guide rods** of the side cover assembly with respective **holes** in the saw, then fit the side cover assembly (Fig. H4).
- Tighten the bar nut.

NOTICE: If the guide bar needs to be replaced, disassemble the side cover assembly and reassemble it with the new guide bar as Fig. I shown.

OPERATION

APPLICATION

- This chain saw is designed specifically for in-tree surgery and maintenance.



This saw should only be used by persons who are specially trained in tree maintenance work.

NOTICE: Recommendation that the first-time user should, as a minimum, practice cutting logs on a saw-horse or cradle.

TENSIONING THE SAW CHAIN

WARNING: Never touch or adjust the chain while the motor is running. The saw chain is very sharp; always wear protective gloves when performing maintenance to the chain.

The saw chain expands or contracts during normal saw operation. Chain tension changes as a result. Check chain tension regularly during operation and readjust if necessary.

- Switch off the chainsaw, engage the chain brake and disconnect the power plug.
- Loosen the bar nut, so that the guide bar can move freely for future adjustment.
- Hold the bar nose up, and adjust the tension screw until the following points apply:
 - Chain sag in the center of the bar is around: 1 - 2 mm (Fig. J).
 - Disengage the chain brake, ensure chain can be pulled along the bar with two fingers.

NOTICE: Carefully perform this step to avoid personal injuries. Due to this DC motor contains magnetic material, compare with conventional gasoline chain saw, when you run the saw chain by two fingers, you'd feel a certain amount of resistance. It is not as smooth as you do with gasoline chain saw.

- Hold the bar nose up and tighten the bar nut.

NOTICE: If chain sag in the center of the bar is not 1 - 2 mm, readjust chain tension.

FILLING OILTANK

- Disconnect the power plug from the chain saw.
- Position the chain saw on its side on a firm, flat surface, so that the oil-tank cap is facing upwards. Open the oil-tank cap. If it is too tight, use the slot-head of the combi-wrench (provided) to loosen it (Fig. K).
- Carefully pour the oil into the oil tank. Fill to the bottom of the fill neck. Wipe off any excess oil and close it.

NOTICE:

- The chain saw is not filled with oil at the time of purchase. It is essential to fill the tank with oil before use. The chain is automatically lubricated with chain oil during operation.
- It is specially designed to provide low friction and faster cuts.
- Never use oil or other lubricants not specifically designed for use on the bar and chain. This can lead to a clogged oil system, which may cause premature wear of the bar and chain.

ADJUSTING OIL-FLOW (Fig. L)

- This saw is equipped with an **Oil-Flow Adjustment Screw**, located on the bottom of the tool, it is used to adjust the oil flow for lubricating the chain, bar and cutting system. Increasing or reducing the oil-flow in the direction of arrows as marked on the housing.

LED INDICATOR ON THE CHAIN SAW

The chain saw is equipped with 2 LED indicators to indicate oil status and the charge level of the battery pack(s).

LED indicator		Meaning	Action
Low oil-indicator (A-8)	Flashing red	Oil shortage	Fill the oil tank
	Off	Has the oil	/
Battery indicator (A-7)	Shining green	Battery pack has the power	/
	Flashing green	Battery pack is nearly depleted and needs to be charged immediately.	Charge the battery

ATTACHING THE BATTERY HOLSTER TO THE CLIMBING HARNESS

This chainsaw comes with a battery holster, it is used to carry the battery pack and allows to be attached to the climbing harness (not provided).

NOTICE: Fastening the battery holster firmly onto the climbing harness, prior to wear the climbing harness.

⚠ WARNING: The climbing harness with quick-release function need to be prepared to prevent the emergency occurs.

1. Seek a preferable point for hanging this battery holster on the climbing harness, hang the battery holster on the climbing harness by using the **belt hook** (Fig. M1).
2. Wrap the belt around the climbing harness to fix battery holster in place (Fig. M2 & M3).
3. Attach two **rings** of safety stop to the climbing harness by using two karabiners (not provided), as shown in Fig M4.

NOTICE:

- When climbing the tree, attaching the ring 1 & 2 of the safety stop to the climbing harness by using karabiners(not provided) (Fig. M5).
- When the tool is in use, detach the ring 2 from the climbing harness, hold the saw by two hands to perform your cutting (Fig. M6).

SECURING THE SAW TO BATTERY HOLSTER (FIG. N)

Attach the **saw hook** of safety stop to the **eyelet**.

INSTALLING/REMOVING BATTERY PACK

NOTICE: Fully charge the battery pack before its first use.

To Install (Fig. O1)

Align the ribs of the battery pack with the mounting slots then slide the battery pack into the battery holster until it snaps into position.

To Remove (Fig. O2)

Press the battery release button with your thumb to remove the battery pack.

STARTING/STOPPING THE CHAIN SAW

To Start

1. Align the “▲” marks on the **power plug** and the chain saw 's **electric socket**, then insert the plug into the chain saw until the GREEN seal on the plug COMPLETELY disappears into the socket (Fig.P1).
2. Push the “ON/OFF” switch to position “**ON**” (Fig. P2).
3. Pull the kickback brake paddle towards the main handle to the position.
4. Move the **locking tongue** forwards and then press the **variable-speed trigger**. The more you pull up the variable-speed trigger, the higher rotating speed the saw chain is (Fig. P3).

To Stop

1. Release the variable-speed trigger to stop the chain saw.

NOTICE: The saw chain will continue to rotate for a short while after the variable-speed trigger is released. Take care to avoid contact after releasing the variable-speed trigger and when setting down the chain saw.

2. Push the kickback brake paddle forward to the brake position “”.
3. Turn the “ON-OFF” switch to position “**OFF**”.

⚠ WARNING: Always disconnect the power plug from the chain saw during work breaks and after finishing work.

PREPARATION FOR CUTTING

Proper Grip On Handles (Fig. Q)

- Wear non-slip gloves for maximum grip and protection.
- Always grasp the front handle with the left hand and the main handle with the right hand.
- The fingers should encircle the handle, with the thumb wrapped under the front handle.

⚠ WARNING: Never use a left-handed (cross-handed) grip, or any stance which would place your body or arm across the chain line.

⚠ WARNING: Do not operate the trigger switch with your left hand and hold the front handle with your right hand. Never allow any part of your body to be in the chain line while operating a chain saw (Fig. R).

CHECKING CHAIN LUBRICATION (Fig. S)

NOTICE: Ensure oil tank of the chain saw have been filled with proper volume of chain oil.

1. Hold the guide bar above a light colored surface.
2. Switch on the saw. You will see a clear line of oil on the light colored surface after 1 minute, if Chain lubrication is operating properly.
3. If chain oil is still not visible on the light colored surface, Refer to the section "ADJUSTING OIL-FLOW" to adjust it

OPERATING IN THE TREE

⚠ WARNING: When working or climbing, it is recommend to use the additional support , such as foot stirrup, adjustable lanyard to prevent a swing or a cutting accident.

Before using it , please check following points:

- Check the wear marks on the **chain sprocket**, If wear marks are deeper than 0.5 mm: contact your EGO servicing dealer to replace the chain sprocket.
- Also check the braking system , if wear marks on the **brake lining** are uneven, contact your EGO servicing dealer to replace the brake lining must be replaced (Fig. T).
- Check the guide bar see related section: **GUIDE BAR MAINTENANCE**
- Check the saw chain see related section: **CHAIN MAINTENANCE**
- Testing the chain brake see related section: **KICKBACK SAFETY DEVICES ON THIS**

CHAIN SAW

- Check the controls see related section: **STARTING/STOPPING THE CHAIN SAW**
- Check the chain lubrication see related section: **CHECKING CHAIN LUBRICATION**

MAINTENANCE

CLEANING

- After each use, clean debris from the chain and guide bar with a soft brush. Wipe the chain saw surface with a clean cloth moistened with a mild soap solution.
- For deep clearing, remove the side cover assembly, take down the guide bar and saw chain and then use a soft brush to thoroughly remove debris from the guide bar, saw chain, and the drive sprocket on the chain saw power head.
- Always clean out wood chips, saw dust, and dirt from the guide bar groove when replacing the saw chain.

REMOVE DUST

1. Disconnect the power plug, allow the chain saw to cool and tighten the oil-tank cap.
2. Engage the saw brake
3. Use combi-wrench (provided) to loosen the screw of **dust removal cover** to open it (Fig. U1).
4. Clean up the sawdust and chips accumulated in the cooling fin by using compressed dry air, blow it from the opposite side **air inlet** (Fig. U2).

GUIDE BAR MAINTENANCE

When the guide bar shows signs of wear, disassemble it from the chain saw power head and reverse it for reassembly (Fig.V1), in which case it will distribute the wear for maximum bar life.

The bar should be cleaned (including **bar rails** and **lubricating hole** every day of use and checked for wear and damage (Fig. V2). Feathering or burring of the bar rails is a normal process of bar wear. Such faults should be smoothed with a file as soon as they occur. A bar with any of the following faults should be replaced.

Wear inside the bar rails which permits the chain to lay over sideways.

- Bent guide bar.
- Cracked or broken rails.
- Spread rails.

The guide bar has a sprocket at its tip. The sprocket must be lubricated weekly with a grease syringe to extend the guide bar life (Fig. V3 & V4). Turn the **nose sprocket** while pumping the **translucent yellow, translucent red or translucent** grease into the **lubricating hole** until the entire sprocket has new grease. Do not push dirt into the hole.

CHAIN MAINTENANCE

Use only low-kickback chains on this saw. This fast cutting chain will provide kickback reduction when properly maintained.

A properly sharpened saw chain cuts through wood effortlessly, even with very little pressure. Never use a dull or damaged saw chain. A dull saw chain cutter leads to increased physical strain, increased vibration load, unsatisfactory cutting results, and increased wear.

For smooth and fast cutting, the chain needs to be maintained properly. The chain requires sharpening when the wood chips are small and powdery, the chain must be forced through the wood during cutting, or the chain cuts to one side. During maintenance of your chain, consider the following:

- Improper filing angle of the side plate can increase the risk of a severe kickback.
- Depth gauge clearance. Too low increases the potential for kickback. Not low enough decreases cutting ability.
- If cutter teeth have hit hard objects, such as nails and stones, or have been abraded by mud or sand on the wood, have the chain sharpened by a qualified service technician.

NOTICE: it is recommended to have sharpening and maintenance of the **saw chain** performed by authorized service centers.

TRANSPORTING AND STORING

- Do not store or transport the chain saw when it is running. Always disconnect the power plug before storing or transporting.
- Always place the guide bar sheath on the guide bar and chain before storing or transporting the chain saw. Use caution to avoid the sharp teeth of the chain.
- Clean the chain saw thoroughly before storing. Store the chain saw indoors, in a dry place that is locked and/or inaccessible to children.
- Keep away from corrosive agents such as garden chemicals and de-icing salts.

Protecting the environment



Do not dispose of electrical equipment, used battery and charger into household waste! Take this product to an authorized recycler and make it available for separate collection. Electric tools must be returned to an environmentally compatible recycling facility.

PROBLEM	CAUSE SOLUTION	SOLUTION
Motor does not start.	<ul style="list-style-type: none"> ■ The power plug of battery holster is not attached to the chain saw. ■ No electrical contact between the battery holster and battery. ■ The locking tongue is not folded up. ■ The “ON-OFF” switch is positioned to “OFF”. ■ Chain brake is engaged. 	<ul style="list-style-type: none"> ■ Insert the power plug of battery holster to the chain saw. ■ Detach battery, check contacts and reinstall the battery pack. ■ Fold up the locking tongue before starting. ■ Turn the “ON-OFF” switch to “ON”. ■ Pull the chain kickback brake paddle backward toward the top handle, arriving at the operating position.
Chain saw stops running during working.	<ul style="list-style-type: none"> ■ The battery pack or chain saw is too hot. ■ The chain saw is overloaded. ■ Too much bits of wood blocks the ventilation channel. ■ The battery pack is depleted. 	<ul style="list-style-type: none"> ■ Cool the battery pack or chain saw. ■ Decrease the load. ■ Clean the dust refer to the “REMOVE DUST” part. ■ Charge the battery pack.
Chain brake does not engage.	<ul style="list-style-type: none"> ■ Debris preventing full movement of the chain kickback brake handle. ■ Possible chain brake malfunction. 	<ul style="list-style-type: none"> ■ Clean debris from external chain brake mechanism. ■ Contact EGO Customer Service for repair.
No oil lubrication when cutting.	<ul style="list-style-type: none"> ■ Chain oil tank is empty. ■ The oil outlet of chain bar is blocked. ■ Oil solidification in low temperature. 	<ul style="list-style-type: none"> ■ Filling bar and chain lubricant. ■ Clean up the dust in the oil outlet. ■ Change the proper lubricating oil(suit for low temperature).
Low oil-indicator flashes in red color or showing abnormal light while the oil tank filled with oil.	<ul style="list-style-type: none"> ■ Special use angle of the machine causing the oil in the oil tank not enter to enter the oil pipe. ■ The category and color of oil is not recommended. ■ Low oil-indicator still flashing red. 	<ul style="list-style-type: none"> ■ Place the chain saw flat and try again. ■ Use the recommended translucent yellow, translucent red or translucent oil ■ Contact EGO Customer Service for repair
Low oil-indicator does not work while the oil tank is short of oil.	<ul style="list-style-type: none"> ■ The category and color of oil cannot be identified. ■ A small amount of oil still in the oil tank or oil pipe. ■ Low oil-indicator still not work for the above reasons. 	<ul style="list-style-type: none"> ■ Use the recommended translucent yellow, translucent red or translucent oil. ■ Use chain saw for a while and then observe low oil-indicator again. ■ Contact EGO Customer Service for repair.

WARRANTY

EGO WARRANTY POLICY

2 year warranty on EGO outdoor power equipment and 1 year warranty on EGO Power+ System battery packs and chargers.

Please contact EGO customer service on Australia 1300 000 EGO(1300 000 346), New Zealand 0508 000 EGO (0508 000 346) any time you have questions or warranty claims.

LIMITED SERVICE WARRANTY

FOR ONE YEAR from the date of original retail purchase, this EGO product is warranted against defects in material or workmanship. Defective product will receive free repair.

FOR ONE YEAR from the date of original retail purchase, the EGO Power+ System battery pack and charger are warranted against defects in material or workmanship. Defective product will receive free repair.

This warranty does not cover the blade, which is a part that can wear out from normal use within the warranty period.

- This warranty applies only to the original purchaser at retail and may not be transferred.
- Warranty for commercial use is 1 year on all product, battery and chargers. The Commercial Series Product Warranty for commercial users is 2 years for product, battery and charger.
- This warranty is void if the product has been used for rental purpose.
- This warranty does not cover the damage resulting from modification, alteration or unauthorised repair.
- This warranty only covers defects arising under normal usage and does not cover any malfunction, failure or defect resulting from misuse, abuse (including overloading of the product beyond capacity and exposure to water or rain), accidents, neglect or lack of proper installation, and improper maintenance or storage.
- This warranty does not cover normal deterioration of the exterior finish, including but not limited to scratches, dents, paint chips, or to any corrosion or discoloring by heat, abrasive and chemical cleaners.

HOW TO OBTAIN SERVICE

For warranty service, please contact EGO customer service on Australia 1300 000 EGO(1300 000 346), New Zealand 0508 000 EGO (0508 000 346). When requesting warranty service, you must present the original dated sales receipt. An authorised service center will be selected to repair the product according to the stated warranty terms.

ADDITIONAL LIMITATIONS

Chervon Australia Pty Ltd ABN 36 165 077 501 (“Chervon”) warrants to the original domestic purchaser that this product will be free from defects in materials and workmanship for 2 years from date of purchase, and any battery or charger will be free from defects in materials and workmanship for 1 year from date of purchase. To make a claim, return the faulty item together with proof of purchase directly to your closest service agent or to the place of purchase. Any handling and transportation costs (and other expenses incurred in claiming this warranty) are not covered by this warranty and will not be borne by Chervon. The replacement product or part or repaired product will be made available for your collection at an address nominated by Chervon. Where a valid warranty claim is made, Chervon will replace the defective product or repair the fault. Where the product is repaired, Chervon may use refurbished parts. This warranty does not cover normal wear and tear, misuse or abuse. This warranty may also be further limited or voided as specifically detailed in the product Manual. Chervon has no other liability under this warranty. The benefits to you given by this warranty are in addition to other rights and remedies imposed by State and Federal legislation that cannot be excluded. Our goods come with guarantees that cannot be excluded under the Australian Consumer Law. You are entitled to a replacement or refund for a major failure and compensation for any other reasonably foreseeable loss or damage. You are also entitled to have the goods repaired or replaced if the goods fail to be of acceptable quality and the failure does not amount to a major failure. Chervon Australia Pty Ltd, Unit Unit 14, 5 Kelleys Road, Rowville, VIC 3178. Phone Number: Australia 1300 000 EGO(1300 000 346), New Zealand 0508 000 EGO (0508 000 346). Email address: support@egopowerplus.com.au.

