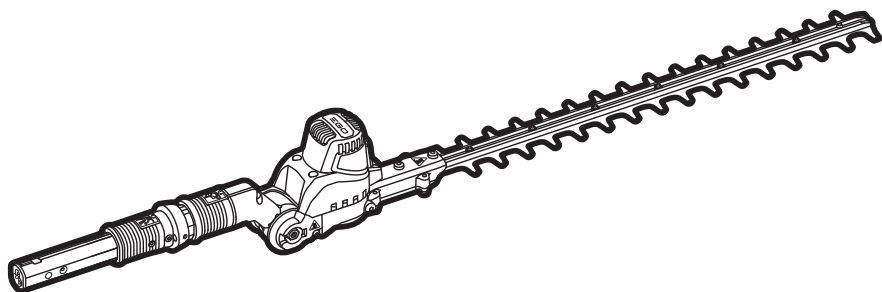


EGO™

POWER⁺ TELESCOPIC POLE SERIES



FOR USE ONLY WITH THE 56V LITHIUM-ION
TELESCOPIC POWER POLE PPX1000

OPERATOR'S MANUAL

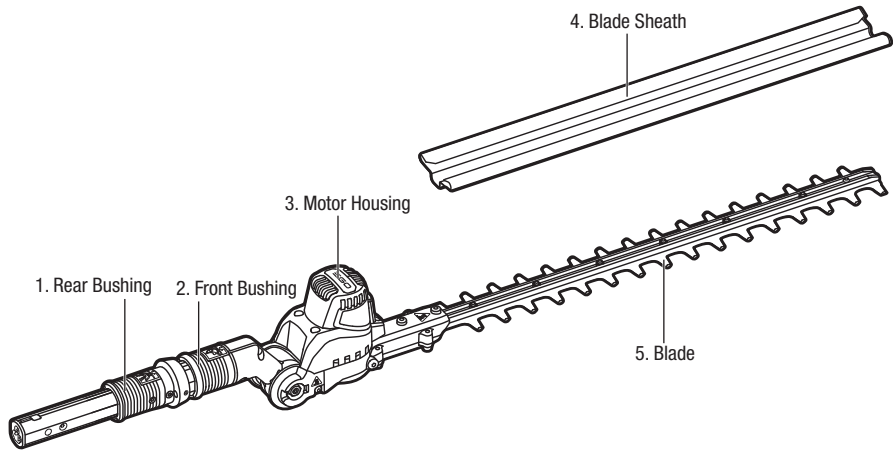
HEDGE TRIMMER ATTACHMENT

MODEL NUMBER PTX5100

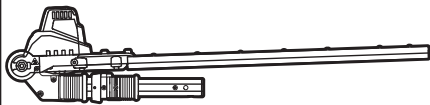
⚠ WARNING: To reduce the risk of injury, the user must read and understand the Operator's Manual before using this product. Save these instructions for future reference.

MNL_EGO_PTX5100_AV01.01_210329

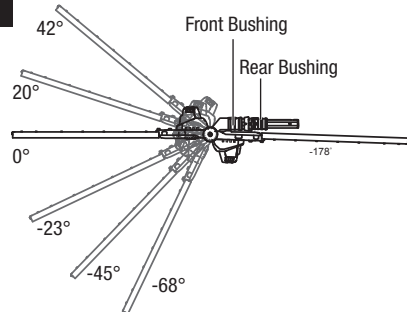
A

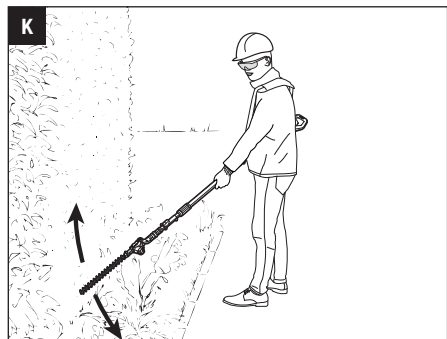
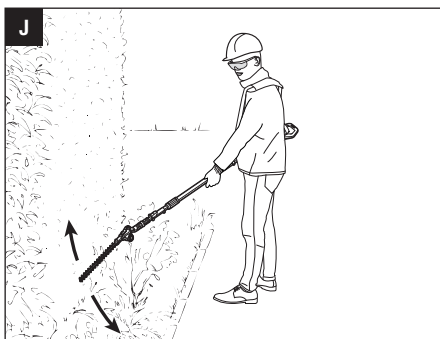
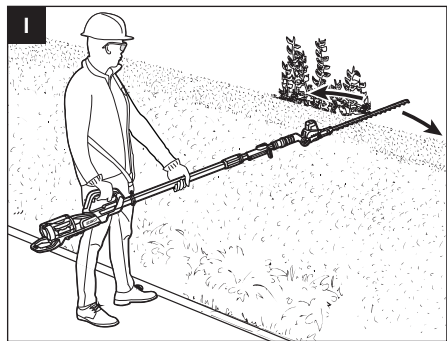
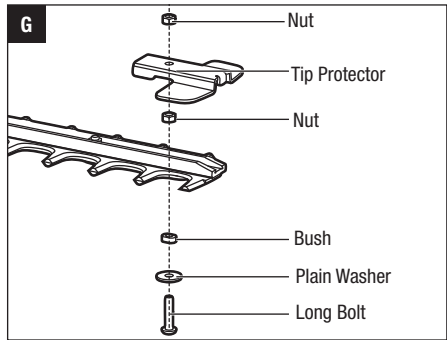
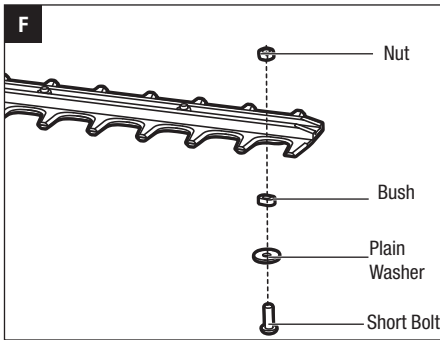
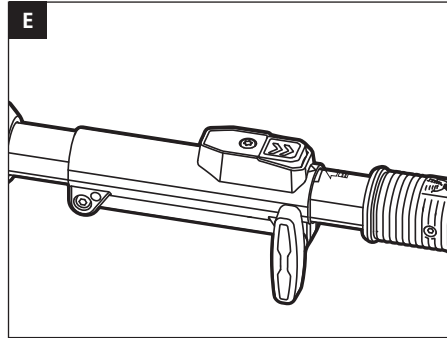
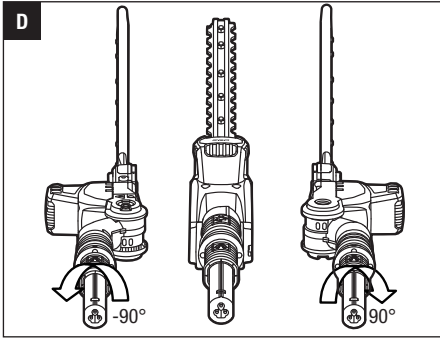


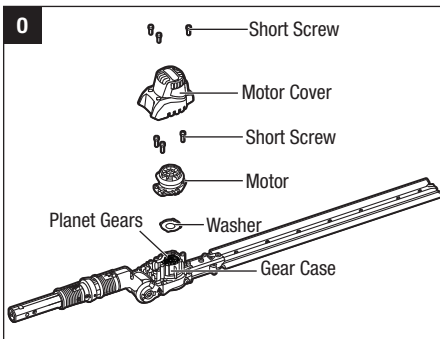
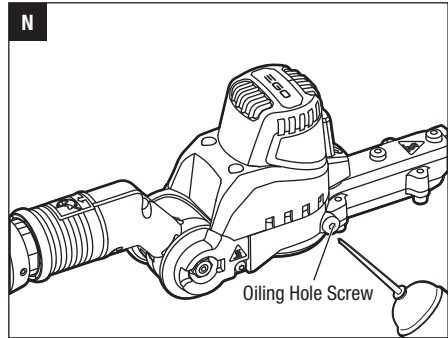
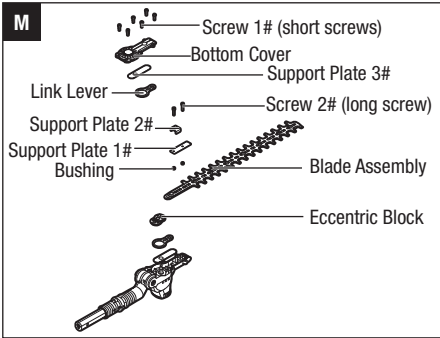
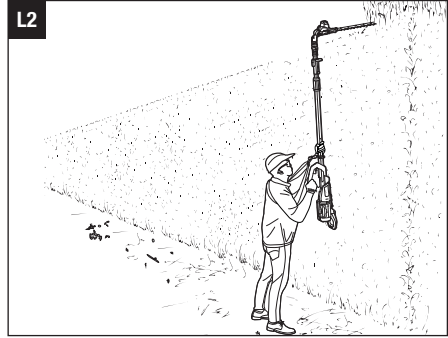
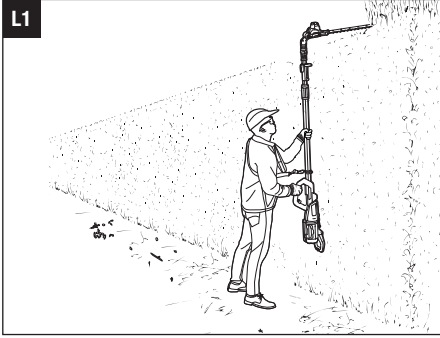
B



C







READ ALL INSTRUCTIONS!



READ OPERATOR'S MANUAL

⚠ Residual risk! People with electronic devices, such as pacemakers, should consult their physician(s) before using this product. Operation of electrical equipment in close proximity to a heart pacemaker could cause interference or failure of the pacemaker.

⚠ WARNING: To ensure safety and reliability, all repairs and replacements should be performed by a qualified service technician.

SAFETY SYMBOLS

The purpose of safety symbols is to attract your attention to possible dangers. The safety symbols and the explanations with them deserve your careful attention and understanding. The symbol warnings do not, by themselves, eliminate any danger. The instructions and warnings they give are no substitutes for proper accident prevention measures.

⚠ WARNING: Be sure to read and understand all safety instructions in this Operator's Manual, including all safety alert symbols such as **"DANGER," "WARNING,"** and **"CAUTION"** before using this tool. Failure to follow all instructions listed below may result in electric shock, fire, and/or serious personal injury.

SYMBOL MEANING

⚠ SAFETY ALERT SYMBOL: Indicates **DANGER, WARNING, OR CAUTION.** May be used in conjunction with other symbols or pictographs.




⚠ WARNING: The operation of any power tools can result in foreign objects being thrown into your eyes, which can result in severe eye damage. Before beginning power tool operation, always wear safety goggles or safety glasses with side shields and a full face shield when needed. We recommend a Wide Vision Safety Mask for use over eyeglasses or standard safety glasses with side shields.

SAFETY INSTRUCTIONS

This page depicts and describes safety symbols that may appear on this product. Read, understand, and follow all instructions on the machine before attempting to assemble and operate it.

	Safety Alert	Indicates a potential personal injury hazard.
	Read Operator's Manual	To reduce the risk of injury, user must read the operator's manual.
	Keep sufficient distance away from electrical power lines	To prevent electrocution, do not operate within 15m of overhead electrical lines. Contact with or use near power lines may cause serious injury or electric shock resulting in death.
	Noise	Guaranteed sound power level. Noise emission to the environment according to the European community's Directive.
	CE	This product is in accordance with applicable EC directives.
	WEEE	Waste electrical products should not be disposed of with household waste. Take to an authorized recycler.
	Keep hands and feet away from the cutting tool	Never attempt to operate your power tool with one hand. Loss of control of the power tool resulting in serious or fatal injury may result. To reduce the risk of cut injuries, keep hands and feet away from the cutting tool. Never attach a moving cutting tool with your hand or any other part of your body.
	Wear eye and head protection	Always wear eye and head protection when operating this product.
IPX5	IP Symbol	Protection against ingress of water degree 5
V	Volt	Voltage
mm	Millimeter	Length or size

cm	Centimeter	Length or size
kg	Kilogram	Weight
	Direct Current	Type or a characteristic of current

HEDGE TRIMMER SAFETY WARNINGS

- **Keep all parts of the body away from the cutter blade. Do not remove cut material or hold material to be cut when blades are moving. Make sure the switch is off when clearing jammed material.** A moment of inattention while operating the hedge trimmer may result in serious personal injury.
- **Carry the hedge trimmer by the handle with the cutter blade stopped.** When transporting or storing the hedge trimmer always fit the cutting device cover. Proper handling of the hedge trimmer will reduce possible personal injury from the cutter blades.
- **When transporting or storing the hedge trimmer, always fit the blade cover.** Proper handling of the hedge trimmer will decrease the risk of personal injury from the blades.
- **When clearing jammed material or servicing the unit, make sure all power switches are off and the battery pack is removed or disconnected.** Unexpected actuation of the hedge trimmer while clearing jammed material or servicing may result in serious personal injury.
- **When clearing jammed material or servicing the unit, make sure all power switches are off and the lock-off is in the locked position.** Unexpected actuation of the hedge trimmer while clearing jammed material or servicing may result in serious personal injury.
- **Hold the hedge trimmer by insulated gripping surfaces only, because the blade may contact hidden wiring.** Blades contacting a “live” wire may make exposed metal parts of the hedge trimmer “live” and could give the operator an electric shock.
- **Keep all power cords and cables away from cutting area.** Power cords or cables may be hidden in hedges or bushes and can be accidentally cut by the blade.
- **Do not use the hedge trimmer in bad weather conditions, especially when there is a risk of lightning.** This decreases the risk of being struck by lightning.

ADDITIONAL SAFETY INSTRUCTIONS FOR EXTENDED-REACH HEDGE TRIMMERS

- **To reduce the risk of electrocution, never use the extended-reach hedge trimmer near any electrical power lines.** Contact with or use near power lines may cause serious injury or electric shock resulting in death.
- **Always use two hands when operating the extended-reach hedge trimmer.** Hold the extended-

reach hedge trimmer with both hands to avoid loss of control.

- **Always use head protection when operating the extended-reach hedge trimmer overhead.** Falling debris can result in serious personal injury.
- **Check the hedge for foreign objects before operating, e.g. wire fences and hidden wiring.**
- **Hold the power tool by insulated gripping surfaces only.**
- The hedge trimmer is intended to be used by the operator at ground level and not on ladders or any other unstable support
- Use only with the battery packs and chargers listed in as below:

BATTERY PACK	CHARGER
BA1400, BA2800, BA4200, BA1400T, BA2800T, BA4200T, BA5600T	CH2100E, CH5500E

SAVE THESE INSTRUCTIONS

NOTE: SEE YOUR TELESOCPIC POWER POLE OPERATOR’S MANUAL FOR ADDITIONAL SPECIFIC SAFETY RULES.

SPECIFICATIONS

Blade Length	510 mm
Cutting Capacity	26 mm
Recommended Operating Temperature	-10°C ~ 40°C
Recommended Storage Temperature	-20°C ~ 70°C
Weight	2.67 kg

PACKING LIST

PART NAME	QUANTITY
Hedge Trimmer Attachment	1
Blade Sheath	1
Operator’s Manual	1

DESCRIPTION

KNOW YOUR HEDGE TRIMMER ATTACHMENT (Fig. A)

1. Rear Bushing
2. Front Bushing
3. Motor Housing

4. Blade Sheath
5. Blade

ASSEMBLY

⚠ WARNING: If any parts are damaged or missing, do not operate this product until the parts are replaced. Use of this product with damaged or missing parts could result in serious personal injury.

⚠ WARNING: Always remove the battery pack from the product when you are assembling parts, making adjustments, cleaning, or when the product is not in use.

CUTTING HEAD ANGLE ADJUSTMENT

When the hedge trimmer attachment is taken out from the package, it has been folded in its storage position (Fig. B). The articulation angle and radial rotation of cutting head can be adjusted independently. Adjust the cutting head to a suitable working position before operation.

Articulation Angle Adjustment

There are six working positions. The angle of the cutting blade can be adjusted from -68° to 42° (Fig. C).

1. Pull back the front bushing, and then firmly hold the motor cover to rotate the cutting angle to the desired position.
2. Once the desired angle is reached, push forward the bushing to lock the position of cutting head.

Radial Rotation Adjustment

There are two vertical cutting positions (Fig. D). It can be adjusted to the left or right 90°.

1. Pull back the rear bushing, and then firmly hold the motor cover to rotate the blade to the desired position.
2. Once the desired angle is reached, push forward the bushing to lock the position of cutting head.

⚠ WARNING: To reduce the risk of injury, remove the battery before making adjustments and make adjustments only when the blades are at a standstill. Never touch the blades while making adjustments.

⚠ WARNING: The casting alloy gear case is hot. Never touch the casting alloy gear case surface without wearing a PPE gloves.

CONNECTING/REMOVING THE HEDGE TRIMMER ATTACHMENT TO THE TELESCOPIC POWER POLE (FIG. E)

This hedge trimmer attachment is designed for use with EGO telescopic power pole PPX1000.

See “**INSTALLING AN ATTACHMENT TO THE TELESCOPIC POWER POLE**” section in the telescopic power pole PPX1000 operator’s manual for connecting the hedge trimmer to the power pole.

See “**REMOVING THE ATTACHMENT FROM THE TELESCOPIC POWER POLE**” section in the telescopic power pole PPX1000 operator’s manual to remove the hedge trimmer from the power pole.

MOUNTING THE TIP PROTECTOR (Optional)

1. Use a hex wrench (not included) to remove the short bolt, plain washer, bush and nut at the end of the cutting blade. Save the plain washer, bush and nut for reassembly (Fig. F).
2. Align the tip protector with the bulge on the cutting blade and mount it into place. Secure it with the new long bolt and nut as well as the saved washer, bush and nut (Fig. G).

OPERATION

⚠ DANGER: Never cut near power lines, electric cords, or other electric sources. If the cutting blades jam on any electrical cord or line, **DO NOT TOUCH THE BLADE OR THE ALUMINUM POLE! THEY CAN BECOME ELECTRICALLY LIVE AND MAY BE VERY DANGEROUS.** Continue to hold the hedge trimmer attachment by the insulated handle or lay it down and away from you in a safe manner. Disconnect the electrical service to the damaged line or cord before attempting to free the blade from the line or cord. Contact with the blade, other conductive parts of the hedge trimmer attachment, or live electric cords or lines will result in death by electrocution or serious injury.

⚠ WARNING: Do not allow familiarity with this product to make you careless. Remember that a careless fraction of a second is sufficient to inflict serious injury.

⚠ WARNING: Always wear eye protection. Failure to do so could result in objects being thrown into your eyes and other possible serious injuries.

⚠ WARNING: Do not use any attachments or accessories not recommended by the manufacturer by EGO™. The use of attachments or accessories not recommended can result in serious personal injury.

APPLICATIONS

You may use this product for trimming the hedges, shrubs, scrub, bushes and similar material with a branch diameter of less than Ø26 mm.

USING THE HEDGE TRIMMER WITH TELESCOPIC POWER POLE

⚠ WARNING: Dress properly to reduce the risk of injury when operating this tool. Do not wear loose clothing or jewelry. Wear eye and ear/hearing protection. Wear heavy, long pants, boots, and gloves. Do not wear short pants or sandals or go barefoot.

PREPARATION FOR CUTTING:

1. Adjust the cutting head to the desired working position.
2. Remove the blade sheath from the cutting blade.
3. For safe and better operation, put on the shoulder strap across the shoulder. Adjust the shoulder strap into a comfortable operating position. Following the instructions in the section **“MOUNTING THE SHOULDER STRAP”** in PPX1000 operator’s manual to attach the shoulder strap onto the power pole.

⚠ WARNING: The shoulder strap is also a quick release mechanism in hazardous situation. When an emergency occurs, take it off your shoulder immediately, no matter what way the strap is in.

⚠ WARNING: Always use two hands when operating the extended-reach hedge trimmer. Hold the extended-reach hedge trimmer with both hands to avoid loss of control. Following the instructions in the section **“HOLDING THE TELESCOPIC POWER POLE”** in PPX1000 operator’s manual

WORKING TECHNIQUES

- **Horizontal Cutting (with cutting head at an angle)**
Cut close to the ground from a standing position, e.g. for trimming low shrubs. Swing the cutting head right and left as you move along the hedge—use both sides of the blades and do not rest the cutter blade on the ground (Fig. H).
- **Horizontal Cutting (with straight cutting head)**
Hold the cutting head at an angle of 0° as you slowly swing the hedge trimmer horizontally. Swing the cutting head in an arc towards the outsides of the hedge so that the cuttings are swept to the ground (Fig. I).

Recommendation: Cut hedges that are no more than chest height in this working position.

- **Vertical Cutting (cutting head at an angle)**
Cutting without standing directly next to the hedge, e.g. flowerbed between operator and hedge. In this cutting position, for your better control of the hedge trimmer, it is recommended that connect the

hedge trimmer with the cutting head at the side cutting position.

Swing the cutting head up and down in an arc as you move along the hedge – use both sides of the cutting blade (Fig. J).

- **Vertical Cutting (with straight cutting head)**
Extra long reach without the need for other aids. Swing the cutting head up and down in an arc as you move along the hedge – use both sides of the cutting blade (Fig. k).
- **Overhead Cutting (with cutting head at an angle)**
Hold the hedge trimmer vertically and swing it in an arc to make maximum use of its reach (Fig. L1&L2). For extreme high hedge, the extension pole is suitable for aids in trimming.

⚠ WARNING: Any working position above head height is tiring. To minimize the risk of accidents, work in such positions for short periods only. Set angle of adjustable cutting head to maximum so that the tool can be held in a lower, less tiring position (with shoulder strap) while still providing adequate reach.

TO START/STOP THE TOOL

See **“STARTING/STOPPING THE TELESCOPIC POWER POLE”** section in the power pole PPX1000 operator’s manual.

MAINTENANCE

⚠ WARNING: When servicing, use only identical replacement parts. Inspect and maintain the machine regularly. To ensure safety and reliability, all repairs should be performed by a qualified service technician.

⚠ WARNING: Before inspecting, cleaning or servicing the unit, stop the motor, wait for all moving parts to stop, and remove the battery pack. Failure to follow these instructions can result in serious personal injury or property damage.

⚠ NOTICE: Before each use, inspect the entire product for damaged, missing, or loose parts such as screws, nuts, bolts, caps, etc. Tighten securely all fasteners and caps and do not operate this product until all missing or damaged parts are replaced. Please contact customer service or a qualified service technician.

GENERAL MAINTENANCE

Avoid using solvents when cleaning plastic parts. Most plastics are susceptible to damage from various types of commercial solvents and may be damaged by their use. Use clean cloths to remove dirt, dust, oil, grease, etc.

CLEANING THE HEDGE TRIMMER ATTACHMENT

1. Stop the motor and remove the battery pack.
2. Clean dirt and debris from the hedge trimmer attachment using a damp cloth with a mild detergent.

NOTICE: Do not use any strong detergents on the plastic housing or the handle. They can be damaged by certain aromatic oils such as pine and lemon.

STORING THE HEDGE TRIMMER ATTACHMENT

1. Stop the motor and remove the battery pack from the telescopic power pole.
2. Remove the hedge trimmer attachment from the telescopic power pole.
3. Clean all foreign material from the hedge trimmer attachment.
4. Store it in a place that is inaccessible to children.
5. Keep away from corrosive agents such as garden chemicals and deicing salts.

REPLACING THE BLADE

⚠ WARNING: Always wear gloves when handling the blade; these components are very sharp and may contain burrs.

1. Switch off the tool and remove the battery pack.
2. Adjust the blade to the horizontal position, ensuring that the blade assembly is in line with the hedge trimmer shaft for easy mounting (Fig. M).
3. Use a hex wrench (not included) to loosen the 6 screws 1# (short screws) in the bottom cover and remove them.
4. Continue loosening the 2 screws 2# (long screws) to remove the support plate 1# & 2#, as well as the 2 bushings. The 2 bushings are separately located inside the two rounded rectangle slots in the blade assembly.
5. Remove the support plate 3#.
6. Carefully remove the link lever from the blade.
7. Remove the blade assembly from the tool and ensure that the eccentric block assembly position remains unchanged.
8. Align the inward bulge on the new blade assembly with the hole inside the link lever to install the new blade assembly into place.
9. Insert the two bushings into the two rounded rectangle separately.
10. Mount the support plate 1# and then mount the

support plate 2#.

11. Keep the inside holes in the blade, the bushings, and the holes in the support plates in line with the screw holes in the gear case. Install the 2 long screws into the aligned holes and tighten them securely.
12. Slightly move the upper blade back and forth to check whether the blade can move freely. If not, reassemble the blades until the upper blade can move freely.
13. Install the link lever.
14. Align the hole of support plate 3 #with the bulge on the eccentric block to install the support plate into place, ensuring that the plate is exactly located in the center, parallel to both edges.
15. Mount the bottom cover onto the gear case and secure it with 6 short screws.

LUBRICATING THE BLADE (Fig. N)

For best operation and longer blade life, lubricate the hedge trimmer blade with anti-rusting oil after each use. **DO NOT FULLY FILL OIL HOLE WITH THE OIL.**

1. Remove the oiling hole screw on the gear case by a hex wrench (not included).
2. Inject 5g grease through the greasing hole to the gearcase.
3. Tighten the screw once finished.

LUBRICATING THE DRIVE GEAR

For best operation and longer lifetime, lubricate the hedge trimmer attachment drive gear with a special grease every 100 hours operation.

The grease should meet the following requirements:

- NLGI Grade Penetration: NLGI-2;
- Thickener Type: Polyurea;
- Recommended Operating Temperature Range: -40°C to 180°C;
- Other than above, the grease should also be shear stable with exceptional pressure characteristics and excellent anti-wear property, and perfect oxidation stability.

Follow the steps below to fill with the grease:

1. Switch off the tool and remove the battery pack.
2. Use a hex wrench (not included) to loosen and remove 3 short screws on the motor cover and then detach the motor cover (Fig. O).
3. Loosen the 3 short screws on the motor and then detach the motor and the washer.

EN

4. Use a grease gun (not included) to inject 5g grease at the center of the 3 upper planet gears into the gear case.

NOTE: Ensure the position of other parts near the gear case remains unchanged during injection.

5. Reassemble the washer and the motor by tightening the 3 short screws.
6. Reassemble the motor cover by tightening the 3 short screws.
7. Start the tool to check whether it can work normally. If it does not, reassemble by following above steps.

NOTE: After removing the motor cover, clean up the sawdust around the motor.

Protecting the environment



Do not dispose of electrical appliances as unsorted municipal waste, use separate collection facilities.

Contact your local government for information regarding the collection systems available.

If electrical appliances are disposed of in landfills or dumps, hazardous substances can leak into the groundwater and get into the food chain, damaging your health and well-being.

TROUBLESHOOTING

EN

PROBLEM	CAUSE	SOLUTION
Hedge trimmer doesn't work.	<ul style="list-style-type: none"> ■ No electrical contact between the trimmer and battery. ■ The battery pack is depleted. ■ The battery pack or tool is over-temperature protection ■ The blade is jammed. 	<ul style="list-style-type: none"> ■ Remove battery, check contacts and reattach the battery pack. ■ Charge the battery pack. ■ Allow the battery pack or power pole to cool until the temperature drops below 67°C. ■ Remove the battery pack from the tool. Remove the obstruction carefully and then reinsert the battery and restart the tool.
Excessive vibration or noise.	<ul style="list-style-type: none"> ■ Dry or corroded blades. ■ Blades or blade support is bent. ■ Bent or damaged teeth. ■ Loose blade bolts. 	<ul style="list-style-type: none"> ■ Lubricate the blades. ■ Replace with a new blade or support following the section "REPLACING THE BLADE" in this manual or contact EGO service center for replacement. ■ Replace with a new blade following the section "REPLACING THE BLADE" in this manual or contact EGO service center for replacement. ■ Tighten the blade bolts. Using a hex wrench (not included), turn the bolt clockwise to tighten.



EN WARRANTY

EGO WARRANTY POLICY

2 year warranty on EGO outdoor power equipment and 1 year warranty on EGO Power+ System battery packs and chargers.

**Please contact EGO customer service on Australia 1300 000 EGO(1300 000 346),
New Zealand 0508 000 EGO (0508 000 346) any time you have questions or warranty claims.**

LIMITED SERVICE WARRANTY

FOR TWO YEARS from the date of original retail purchase, this EGO product is warranted against defects in material or workmanship. Defective product will receive free repair.

FOR ONE YEAR from the date of original retail purchase, the EGO Power+ System battery pack and charger are warranted against defects in material or workmanship. Defective product will receive free repair.

This warranty does not cover the blade, which is a part that can wear out from normal use within the warranty period.

- This warranty applies only to the original purchaser at retail and may not be transferred.
- Warranty for commercial use is 1 year on all product, battery and chargers. The Commercial Series Product Warranty for commercial users is 2 years for product, battery and charger.
- This warranty is void if the product has been used for rental purpose.
- This warranty does not cover the damage resulting from modification, alteration or unauthorised repair.
- This warranty only covers defects arising under normal usage and does not cover any malfunction, failure or defect resulting from misuse, abuse (including overloading of the product beyond capacity and exposure to water or rain), accidents, neglect or lack of proper installation, and improper maintenance or storage.
- This warranty does not cover normal deterioration of the exterior finish, including but not limited to scratches, dents, paint chips, or to any corrosion or discoloring by heat, abrasive and chemical cleaners.

HOW TO OBTAIN SERVICE

For warranty service, please contact EGO customer service on Australia 1300 000 EGO(1300 000 346), New Zealand 0508 000 EGO (0508 000 346). When requesting warranty service, you must present the original dated sales receipt. An authorised service center will be selected to repair the product according to the stated warranty terms.

ADDITIONAL LIMITATIONS

Chervon Australia Pty Ltd ABN 36 165 077 501("Chervon") warrants to the original domestic purchaser that this product will be free from defects in materials and workmanship for 2 years from date of purchase, and any battery or charger will be free from defects in materials and workmanship for 1 year from date of purchase. To make a claim, return the faulty item together with proof of purchase directly to your closest service agent or to the place of purchase. Any handling and transportation costs (and other expenses incurred in claiming this warranty) are not covered by this warranty and will not be borne by Chervon. The replacement product or part or repaired product will be made available for your collection at an address nominated by Chervon. Where a valid warranty claim is made, Chervon will replace the defective product or repair the fault. Where the product is repaired, Chervon may use refurbished parts. This warranty does not cover normal wear and tear, misuse or abuse. This warranty may also be further limited or voided as specifically detailed in the product Manual. Chervon has no other liability under this warranty. The benefits to you given by this warranty are in addition to other rights and remedies imposed by State and Federal legislation that cannot be excluded. Our goods come with guarantees that cannot be excluded under the Australian Consumer Law. You are entitled to a replacement or refund for a major failure and compensation for any other reasonably foreseeable loss or damage. You are also entitled to have the goods repaired or replaced if the goods fail to be of acceptable quality and the failure does not amount to a major failure.

Chervon Australia Pty Ltd, Unit Unit 14, 5 Kelleets Road, Rowville, VIC 3178.

Phone Number: Australia 1300 000 EGO(1300 000 346), New Zealand 0508 000 EGO (0508 000 346).

Email address: support@egopowerplus.com.au.