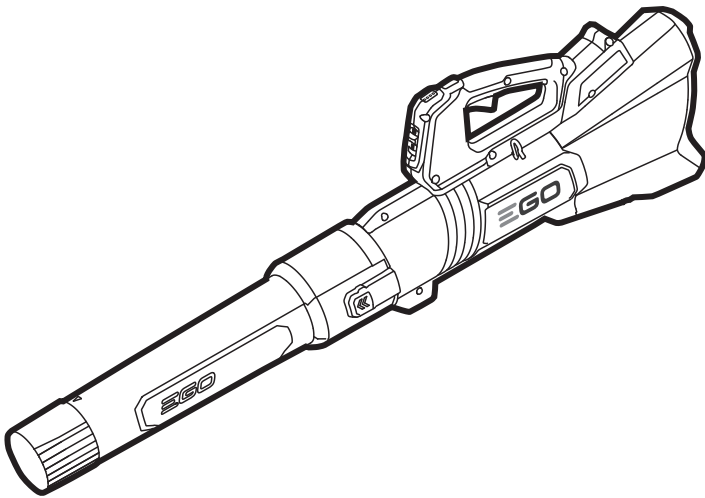


EGO™

POWER⁺ BLOWER

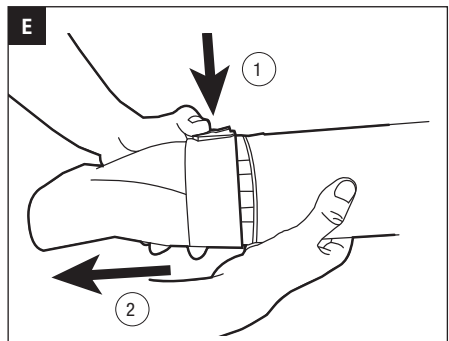
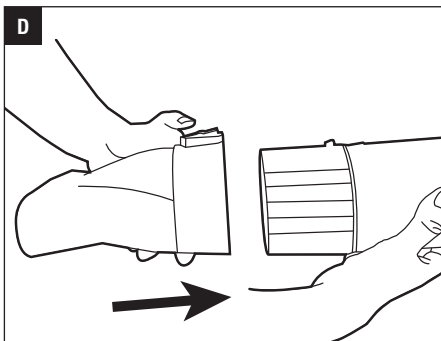
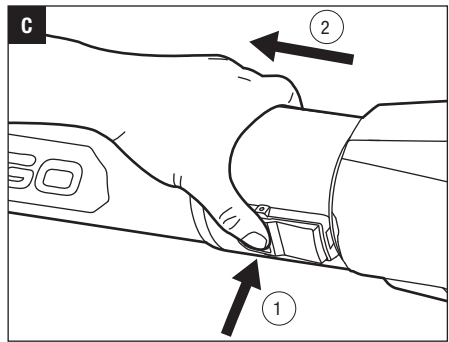
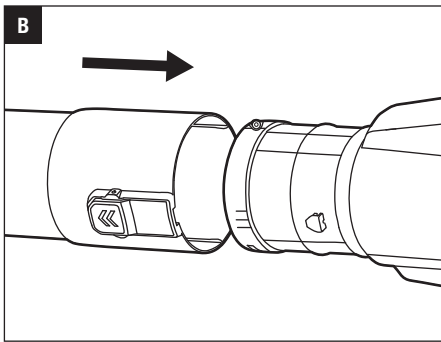
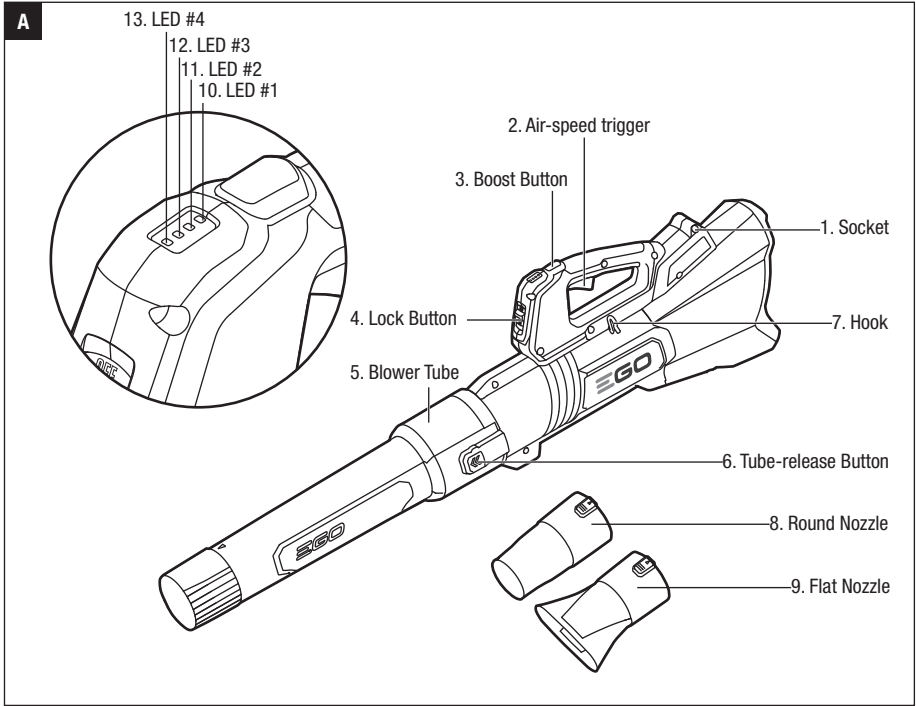


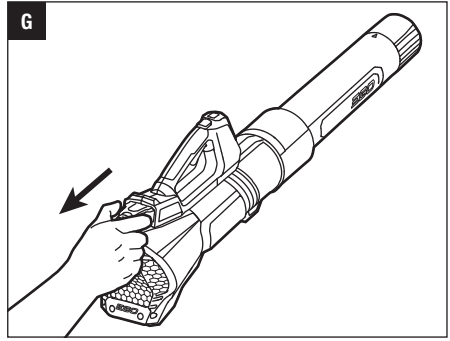
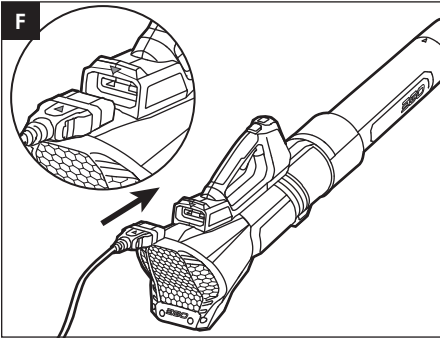
OPERATOR'S MANUAL

56 VOLT LITHIUM-ION CORDLESS BLOWER

MODEL NUMBER LBX6000

⚠ WARNING: To reduce the risk of injury, the user must read and understand the Operator's Manual before using this product. Save these instructions for future reference.





READ ALL INSTRUCTIONS!



READ OPERATOR'S MANUAL

NOTICE: These instructions shall also be available in an alternative format, e.g. on a website.

⚠ Residual risk! People with electronic devices, such as pacemakers, should consult their physician(s) before using this product. Operation of electrical equipment in close proximity to a heart pacemaker could cause interference or failure of the pacemaker.

⚠ WARNING: To ensure safety and reliability, all repairs and replacements should be performed by a qualified service technician.

SAFETY SYMBOLS

The purpose of safety symbols is to attract your attention to possible dangers. The safety symbols and the explanations with them deserve your careful attention and understanding. The symbol warnings do not, by themselves, eliminate any danger. The instructions and warnings they give are no substitutes for proper accident prevention measures.

⚠ WARNING: Be sure to read and understand all safety instructions in this Operator's Manual, including all safety alert symbols such as "**DANGER**," "**WARNING**," and "**CAUTION**" before using this tool.

DAMAGE PREVENTION AND INFORMATION MESSAGES

These inform the user of important information and/or instructions that could lead to equipment or other property damage if they are not followed. Each message is preceded by the word "**NOTICE**", as in the example below:

NOTICE: Equipment and/or property damage may result if these instructions are not followed.



⚠ WARNING: The operation of any power tools can result in foreign objects being thrown into your eyes, which can result in severe eye damage. Before beginning power tool operation, always wear safety goggles or safety glasses with side shields and a full face shield when needed. We recommend a Wide Vision Safety Mask for use over eyeglasses or standard safety glasses with side shields.

SAFETY INSTRUCTIONS

This page depicts and describes safety symbols that may appear on this product. Read, understand, and follow all instructions on the machine before attempting to assemble and operate.

	Safety Alert	Precautions that involve your safety.
	Wear Eye Protection	Always wear safety goggles or safety glasses with side shields and a full face shield when operating this product.
	Wear Ear Protection	Always wear ear protection when operating this product.
	Read Operator's Manual	To reduce the risk of injury, user must read the operator's manual before using this product.
	Keep Bystanders Away	Keep all bystanders at least 15m away.
	Noise	Guaranteed sound power level.
	WEEE	Waste electrical products should not be disposed of with household waste. Take to an authorized recycler.
IPX5	IP Symbol	Protection against ingress of water degree 5
V	Volt	Voltage
m³/h	Cubic Meter Per Hour	Air volume
N	Newton	Magnitude of force
kg	Kilogram	Weight
	Direct Current	Type or a characteristic of current

When using an electrical appliance, basic precautions should always be followed, including the following:

GENERAL POWER TOOL SAFETY WARNINGS

⚠ WARNING: Read all safety warnings, instructions, illustrations and specifications provided with this power tool. Failure to follow the warnings and instructions may result in electric shock, fire and/or serious injury.

Save all warnings and instructions for future reference.

The term "power tool" in the warnings refers to your battery-operated (cordless) power tool.

WORK AREA SAFETY

- **Keep work area well lit.** Dark areas invite accidents.
- **Do not operate power tools in explosive atmospheres, such as in the presence of flammable liquids, petrol or dust.** Power tools create sparks which may ignite the dust or fumes.
- **Keep children and bystanders away while operating a power tool.** Distractions can cause you to lose control.

ELECTRICAL SAFETY

- **Power tool plugs must match the outlet. Never modify the plug in any way. Do not use any adapter plugs with earthed (grounded) power tools.** Unmodified plugs and matching outlets will reduce risk of electric shock.
- **Avoid body contact with earthed or grounded surfaces, such as pipes, radiators, ranges and refrigerators.** There is an increased risk of electric shock if your body is earthed or grounded.
- **Do not expose power tools to rain or wet conditions.** Water entering a power tool will increase the risk of electric shock.
- **Do not abuse the cord from battery pack. Never use the cord for carrying or pulling the power tool. Keep cord away from heat, oil, sharp edges or moving parts.** Damaged or entangled cords increase the risk of electric.
- **When operating a power tool outdoors, use an extension cord suitable for outdoor use.** Use of a cord suitable for outdoor use reduces the risk of electric shock.
- **If operating a power tool in a damp location is unavoidable, use a Ground-fault circuit interrupter protected supply.** Use of GFCI reduces the risk of electric shock.

PERSONAL SAFETY

- **Stay alert, watch what you are doing and use common sense when operating a power tool. Do not use a power tool while you are tired or under the influence of drugs, alcohol, or medication.** A moment of inattention while operating power tools may result in serious personal injury.
- **Use personal protective equipment. Always wear eye protection.** Protective equipment such as dust mask, non-skid safety shoes, hard hat, or hearing protection used for appropriate conditions will reduce personal injuries.
- **Prevent unintentional starting. Ensure the switch is in the off-position before connecting to battery pack, picking up or carrying the tool.** Carrying power tools with your finger on the switch or energising power tools that have the switch on invites accidents.
- **Remove any adjusting key or wrench before turning the power tool on.** A wrench or a key left attached to a rotating part of the power tool may result in personal injury.
- **Do not overreach. Keep proper footing and balance at all times.** This enables better control of the power tool in unexpected situations.
- **Dress properly. Do not wear loose clothing or jewelry. Keep your hair, clothing and gloves away from moving parts.** Loose clothes, jewelry or long hair can be caught in moving parts.
- **If devices are provided for the connection of dust extraction and collection facilities, ensure these are connected and properly used.** Use of dust devices can reduce dust-related hazards.
- **Do not let familiarity gained from frequent use of tools allow you to become complacent and ignore tool safety principles.** A careless action can cause severe injury with a fraction of a second.

POWER TOOL USE AND CARE

- **Do not force the power tool. Use the correct power tool for your application.** The correct power tool will do the job better and safer at the rate for which it was designed.
- **Do not use the power tool if the switch does not turn it on and off.** Any power tool that cannot be controlled with the switch is dangerous and must be repaired.

- **Disconnect the plug from the battery pack from the power tool before making any adjustments, changing accessories, or storing power tools.** Such preventive safety measures reduce the risk of starting the power tool accidentally.
- **Store idle power tools out of the reach of children and do not allow persons unfamiliar with the power tool or these instructions to operate the power tool.** Power tools are dangerous in the hands of untrained users.
- **Maintain power tools. Check for misalignment or binding of moving parts, breakage of parts and any other condition that may affect the power tool's operation. If damaged, have the power tool repaired before use.** Many accidents are caused by poorly maintained power tools.
- **Keep cutting tools sharp and clean.** Properly maintained cutting tools with sharp cutting edges are less likely to bind and are easier to control.
- **Use the power tool and accessories etc. in accordance with these instructions, taking into account the working conditions and the work to be performed.** Use of the power tool for operations different from those intended could result in a hazardous situation.
- **Keep handles and grasping surfaces dry, clean and free from oil and grease.** Slippery handles and grasping surfaces do not allow for safe handling and control of the tool in unexpected situations.

BATTERY TOOL USE AND CARE

- **Recharge only with the charger specified by the manufacturer.** A charger that is suitable for one type of battery pack may create a risk of fire when used with another battery pack.
- **Use power tools only with specifically designated battery packs.** Use of any other battery packs may create a risk of injury and fire.
- **When battery pack is not in use, keep it away from other metal objects, like paper clips, coins, keys, nails, screws or other small metal objects that can make a connection from one terminal to another.** Shorting the battery terminals together may cause burns or a fire.
- **Under abusive conditions, liquid may be ejected from the battery; avoid contact. If contact accidentally occurs, flush with water. If liquid contacts eyes, additionally seek medical help.** Liquid ejected from the battery may cause irritation or burns.

- **Do not use a battery pack or tool that is damaged or modified.** Damaged or modified batteries may exhibit unpredictable behaviour resulting in fire, explosion or risk of injury.
- **Do not expose a battery pack or tool to fire or excessive temperature.** Exposure to fire or temperature above 130°C may cause explosion.
- **Follow all charging instructions and do not charge the battery pack or tool outside the temperature range specified in the instructions.** Charging improperly or at temperature outside the specified range may damage the battery and increase the risk of fire.

SERVICE

- **Have your power tool serviced by a qualified repair person using only identical replacement parts.** This will ensure that the safety of the power tool is maintained.
- **Never service damaged battery packs.** Service of battery packs should only be performed by the manufacturer or authorized service providers.

READ ALL INSTRUCTIONS BEFORE USING THIS PRODUCT!

TRAINING

- **Never allow children, persons with reduced physical, sensory or mental capabilities or lack of experience and knowledge or people unfamiliar with these instructions to use the machine.**
- **The operator or user is responsible for accidents or hazards occurring to other people or their property.**

PREPARATION

- **The power tool may be used in the rain or wet conditions. Dry the power tool after finishing work.**
- **Before using, check the batteries or battery packs for damage.** Do not use the appliance if the batteries or battery pack is damaged.

OPERATION

- **Disconnect the batteries or battery packs:**
 1. Whenever you leave the machine;
 2. Before clearing a blockage;
 3. Before checking, cleaning or working on the appliance;
 4. If the appliance starts to vibrate abnormally.
- **Always be sure of your footing on slopes.**
- **Walk, never run.**

- Keep all cooling air inlets clear of debris.
- Recommendation to operate the machine only at reasonable hours – not early in the morning or late at night when people might be disturbed.
- Recommendation to slightly dampen surfaces in dusty conditions or use mister attachment.

⚠ WARNING: Danger of rotating parts!

- Use the full blower nozzle extension so the air stream can work close to the ground.
- Not to operate the machine near open windows, etc.

MAINTENANCE AND STORAGE

- Keep all nuts, bolts and screws tight to be sure the appliance is in safe working condition.
- Replace worn or damaged parts.
- Use only genuine replacement parts and accessories.
- Store the appliance only in a dry place.

⚠ WARNING: To reduce risk of fire, electric shock, or injury:

**IMPORTANT
READ CAREFULLY BEFORE USE.
KEEP FOR FUTURE REFERENCE.**

- Do not allow the blower to be used as a toy. Close attention is necessary when used by or near children.
- If the blower is not working as it should, has been dropped, damaged, or dropped into water, return it to a service center.
- Do not put any object into any openings. Do not use with any opening blocked; keep openings free of dust, lint, hair, and anything that may reduce air flow.
- Use extra care when cleaning on stairs.
- Do not leave blower unattended when the battery Plug is inserted. Remove the battery when the blower is not in use and before servicing.
- Do not handle the charger, including charger plug, or charger terminals with wet hands.
- Do not charge the battery pack outdoors.
- Use only with battery packs and chargers listed below.

BATTERY PACK	CHARGER
BAX1500 BH1000	CHX5500E

⚠ WARNING:


- The battery pack must be removed from the appliance before it is scrapped.
- The battery shall be disposed of safely.

DO NOT attempt to clear clogs from the unit without first removing the battery.

- **Keep the blower and its handle dry, clean and free from oil and grease.** Always use a clean cloth when cleaning. Never use brake fluids, petrol, petroleum-based products, or any strong solvents to clean your blower. Following this rule will reduce the risk of loss of control and deterioration of the enclosure plastic.
- **Batteries can explode in the presence of a source of ignition, such as a pilot light.** To reduce the risk of serious personal injury, never use any cordless product in the presence of an open flame. An exploded battery can propel debris and chemicals. If exposed, flush with water immediately.
- **Never run the unit without the proper equipment attached.** Always ensure that the blower tube is installed.
- **Never use the blower near fires or hot ashes.** Use near fires or ashes can spread fires and result in serious injury and/or property damage.
- **Never use blower to spread chemicals, fertilisers, or any other toxic substances.** Spreading these substances could result in serious injury to the operator or bystanders.
- **Save these instructions.** Refer to them frequently and use them to instruct others who may use this tool. If you loan this tool to someone else, also loan these instructions to them to prevent misuse of the product and possible injury.

SAVE THESE INSTRUCTIONS!

SPECIFICATIONS

Voltage		56V 
Maximum Air Volume		1014m ³ /h
Maximum Air Volume	Without Nozzle	1014m ³ /h
	With Round Nozzle	868m ³ /h
	With Flat Nozzle	1005m ³ /h
Approx. Run Time (with EGO BAX1500 back-pack battery)	Boost	70min
	Level 4	100min
	Level 3	140min
	Level 2	210min
	Level 1	340min
Maximum Blower Force		19.2N
Blower Weight		2.7kg
Recommended Operating Temperature		-15°C-40°C
Recommended Storage Temperature		-20°C-70°C
Guaranteed sound power level	95 dB(A)	

RECOMMENDED ACCESSORIES

PART NAME	PART NUMBER
Round nozzle	AN6000R
Flat nozzle	AN6000F

PACKING LIST

PART NAME	QUANTITY
Blower	1
Blower tube	1
Spread nozzle	2
Operator's manual	1

DESCRIPTION

KNOW YOUR BLOWER (Fig. A)

1. Socket
2. Air-speed trigger
3. Boost Button

4. Lock Button
5. Blower Tube
6. Tube-release Button
7. Hook
8. Round Nozzle
9. Flat Nozzle
10. LED #1
11. LED #2
12. LED #3
13. LED #4

OPERATION

⚠ WARNING: Do not allow familiarity with this product to make you careless. Remember that a careless fraction of a second is sufficient to inflict serious injury.

⚠ WARNING: Do not attempt to modify this product or create accessories not recommended for use with this blower. Any such alteration or modification is misuse and could result in a hazardous condition leading to possible serious personal injury.

⚠ WARNING: It is not recommended to use the blower at a high speed for a long time, as large vibration and noise may be harmful to your health.

⚠ WARNING: Always remove the battery pack from the product when you are doing maintenance or when not in use. Removing the battery pack will prevent accidental starting that could cause personal injury.

Before each use, inspect the entire product for damaged, missing, or loose parts, such as screws, nuts, bolts, caps, etc. Tighten securely all fasteners and caps and do not operate this product until all missing or damaged parts are replaced.

ASSEMBLING/REMOVING THE BLOWER TUBE

■ To Assemble (Fig. B)

Align the groove and push the tube onto the blower housing until you hear a "click".

■ To Remove (Fig. C)

Press the tube-release button and pull the tube out.

ASSEMBLING/REMOVING THE BLOWER ROUND/ FLAT NOZZLE

■ To Assemble (Fig. D)

Align the groove in the round/flat nozzle with the tube knob and push the nozzle onto the tube until it snaps into place.

■ **To Remove(Fig. E)**

Press and hold the nozzle-release button to disengage the latch, then pull the nozzle straight from the blower.

INSTALLING/REMOVING THE BATTERY PACK

NOTE: For best performance, we recommend use of the EGO 56V Battery BAX1500 backpack battery.

Charge before first use.

■ **To Install (Fig. F)**

Put on the backpack battery and insert the battery plug into the blower.

■ **To Remove (Fig. G)**

Pull the battery plug out.

⚠ WARNING: Never drag the cord to remove the battery pack from the blower.

STARTING/STOPPING THE BLOWER (Fig. H)

■ **To Start**

Before running the blower, please check and confirm the lock button is in position “On”. If not, push the lock button to position “On” , otherwise the air-speed trigger can’t be depressed to start the blower.

Depress the air-speed trigger to turn on the blower. Increased pressure on the trigger results in higher blowing speed.

To Stop

Release the air-speed trigger to stop the blower.

TO ADJUST THE AIR SPEED

The blower is equipped with an air-speed indicator, indicating the maximum air speed level. Start the blower to display the maximum air speed level. A short-press on the boost button will change the maximum air speed level, while tapping and holding on the boost button will turn the boost function on.

LED FUNCTION AND AIR SPEED LEVEL

AIR SPEED LEVEL	LED ON THE BLOWER				REMARK
	LED1	LED2	LED3	LED4	
LEVEL 1	●	○	○	○	Flowing water light: Level 1 → Level 2 → Level 3 → Level 4 ●: On ○: Off
LEVEL 2	●	●	○	○	
LEVEL 3	●	●	●	○	
LEVEL 4	●	●	●	●	
BOOST	Flowing water light				

MAINTENANCE

⚠ WARNING: When servicing, use only identical replacement parts. Use of any other parts may create a hazard or cause product damage. To ensure safety and reliability, all repairs should be performed by a qualified service technician.

⚠ WARNING: To avoid serious personal injury, always remove the battery pack from the product when cleaning or performing any maintenance.

GENERAL MAINTENANCE

Avoid using solvents when cleaning plastic parts. Most plastics are susceptible to damage from various types of commercial solvents and may be damaged by their use. Use clean cloths to remove dirt, dust, oil, grease, etc.

⚠ WARNING: Do not at any time let brake fluids, petrol, petroleum-based products, penetrating oils, etc., come in contact with plastic parts. Chemicals can damage, weaken or destroy plastic which may result in serious personal injury.

STORAGE

- Clean all foreign material from the air inlets of the blower.
- Store indoors in a place that is inaccessible to children. Keep away from corrosive agents, such as garden chemicals and de-icing salts.

Protecting the environment



Do not dispose of electrical appliances as unsorted municipal waste, use separate collection facilities.

Contact your local government for information regarding the collection systems available.

If electrical appliances are disposed of in landfills or dumps, hazardous substances can leak into the groundwater and get into the food chain, damaging your health and well-being.

TROUBLESHOOTING

PROBLEM	CAUSE	SOLUTION
Blower doesn't work.	<ul style="list-style-type: none">■ The battery pack is not attached to the blower.■ No electrical contact between the blower and battery.■ The battery pack is depleted.■ The battery pack or blower is too hot.■ Overload	<ul style="list-style-type: none">■ Attach the battery pack to the blower.■ Remove battery, check contacts and reinstall the battery pack.■ Charge the battery pack.■ Cool the battery pack and blower until the temperature drops below 67°C.■ Reduce the load of blower or battery pack.
The air velocity decreases significantly.	<ul style="list-style-type: none">■ Excessive wearing of motor fan.■ The air inlet is blocked by debris.	<ul style="list-style-type: none">■ Contact EGO service center for repair.■ Remove the battery pack, clear the debris.



WARRANTY

EGO WARRANTY POLICY

2 year warranty on EGO outdoor power equipment and 2 year warranty on EGO Power+ System battery packs and chargers.

Please contact EGO customer service on Australia 1300 000 EGO(1300 000 346), New Zealand 0508 000 EGO (0508 000 346) any time you have questions or warranty claims.

LIMITED SERVICE WARRANTY

FOR TWO YEARS from the date of original retail purchase, this EGO product is warranted against defects in material or workmanship. Defective product will receive free repair.

FOR TWO YEARS from the date of original retail purchase, the EGO Power+ System battery pack and charger are warranted against defects in material or workmanship. Defective product will receive free repair.

This warranty does not cover the blade, which is a part that can wear out from normal use within the warranty period.

- This warranty applies only to the original purchaser at retail and may not be transferred.
- Warranty for commercial use is 1 year on all product, battery and chargers. The Commercial Series Product Warranty for commercial users is 2 years for product, battery and charger.
- This warranty is void if the product has been used for rental purpose.
- This warranty does not cover the damage resulting from modification, alteration or unauthorised repair.
- This warranty only covers defects arising under normal usage and does not cover any malfunction, failure or defect resulting from misuse, abuse (including overloading of the product beyond capacity and exposure to water or rain), accidents, neglect or lack of proper installation, and improper maintenance or storage.
- This warranty does not cover normal deterioration of the exterior finish, including but not limited to scratches, dents, paint chips, or to any corrosion or discoloring by heat, abrasive and chemical cleaners.

HOW TO OBTAIN SERVICE

For warranty service, please contact EGO customer service on Australia 1300 000 EGO(1300 000 346), New Zealand 0508 000 EGO (0508 000 346). When requesting warranty service, you must present the original dated sales receipt. An authorised service center will be selected to repair the product according to the stated warranty terms.

ADDITIONAL LIMITATIONS

Chervon Australia Pty Ltd ABN 36 165 077 501("Chervon") warrants to the original domestic purchaser that this product will be free from defects in materials and workmanship for 2 years from date of purchase, and any battery or charger will be free from defects in materials and workmanship for 2 years from date of purchase. To make a claim, return the faulty item together with proof of purchase directly to your closest service agent or to the place of purchase. Any handling and transportation costs (and other expenses incurred in claiming this warranty) are not covered by this warranty and will not be borne by Chervon. The replacement product or part or repaired product will be made available for your collection at an address nominated by Chervon. Where a valid warranty claim is made, Chervon will replace the defective product or repair the fault. Where the product is repaired, Chervon may use refurbished parts. This warranty does not cover normal wear and tear, misuse or abuse. This warranty may also be further limited or voided as specifically detailed in the product Manual. Chervon has no other liability under this warranty. The benefits to you given by this warranty are in addition to other rights and remedies imposed by State and Federal legislation that cannot be excluded. Our goods come with guarantees that cannot be excluded under the Australian Consumer Law. You are entitled to a replacement or refund for a major failure and compensation for any other reasonably foreseeable loss or damage. You are also entitled to have the goods repaired or replaced if the goods fail to be of acceptable quality and the failure does not amount to a major failure. Chervon Australia Pty Ltd, Unit Unit 14, 5 Kelleets Road, Rowville, VIC 3178. Phone Number: Australia 1300 000 EGO(1300 000 346), New Zealand 0508 000 EGO (0508 000 346). Email address: support@egopowerplus.com.au.