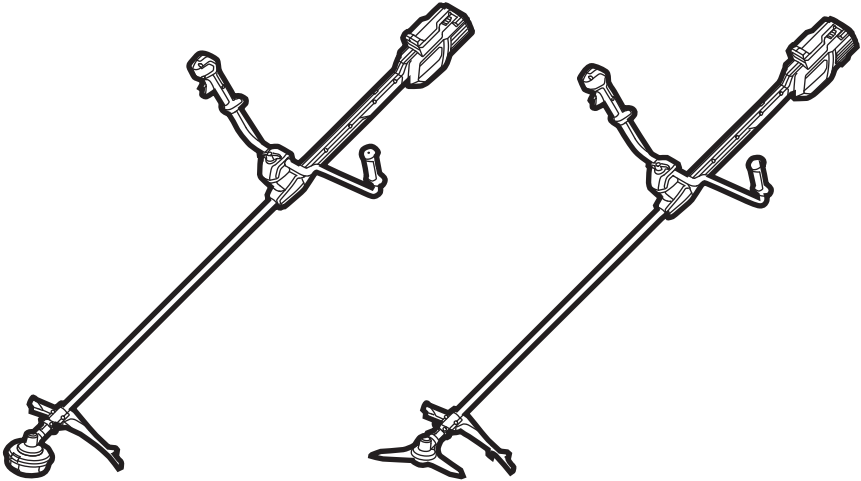


EGO™

POWER⁺ BRUSHCUTTER



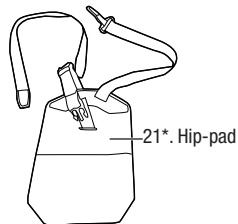
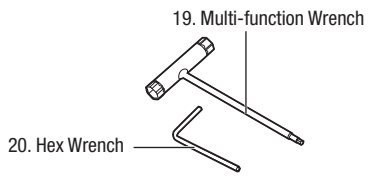
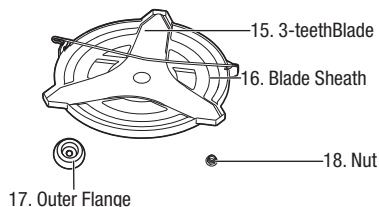
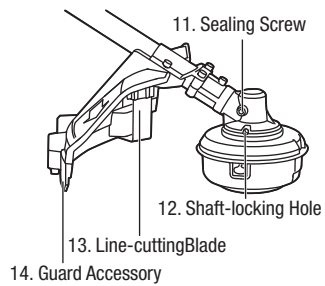
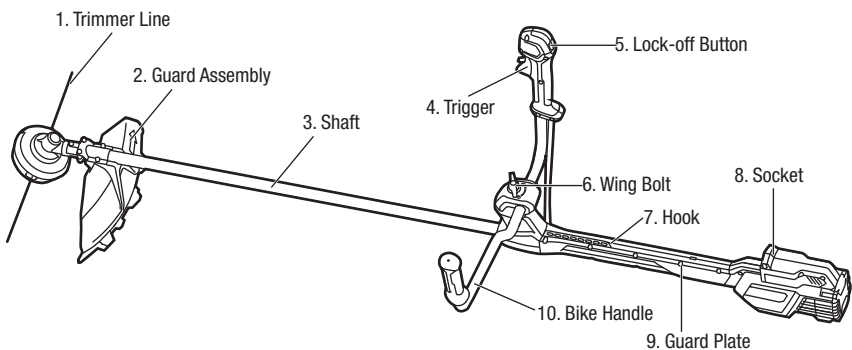
OPERATOR'S MANUAL

56 VOLT LITHIUM-ION REAR MOTOR BIKE-HANDLE BRUSHCUTTER

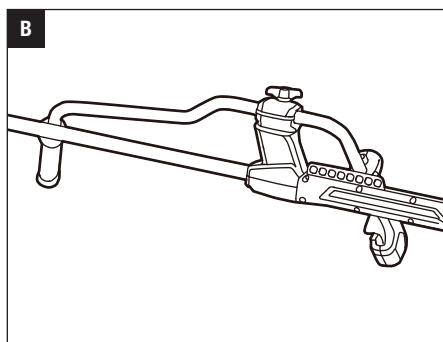
MODEL NUMBER BCX3800

⚠ WARNING: To reduce the risk of injury, the user must read and understand the Operator's Manual before using this product. Save these instructions for future reference.

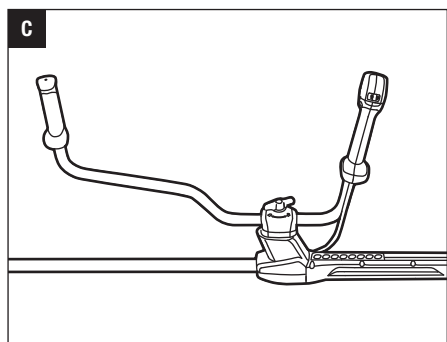
A

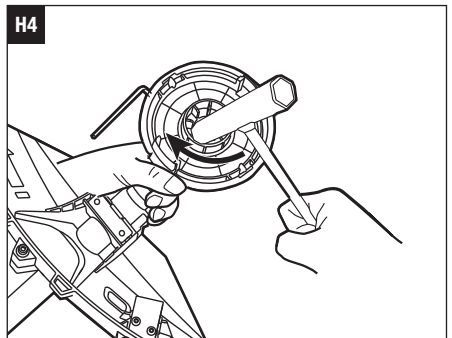
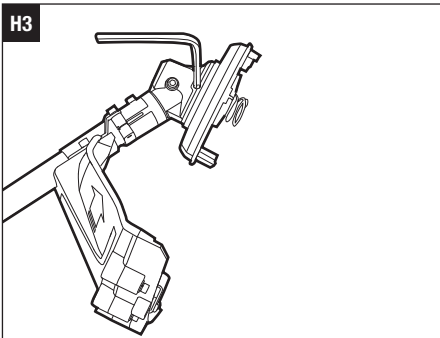
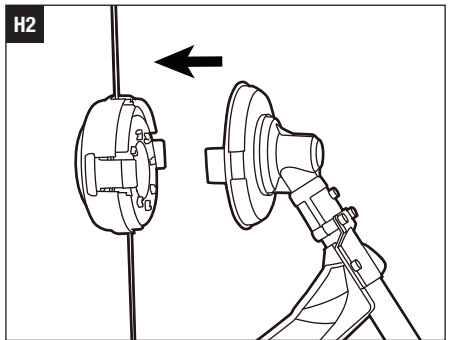
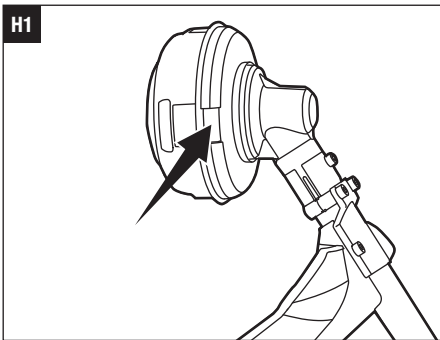
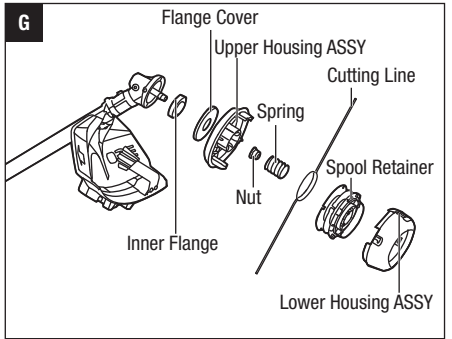
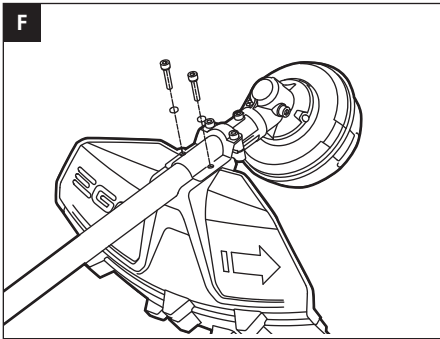
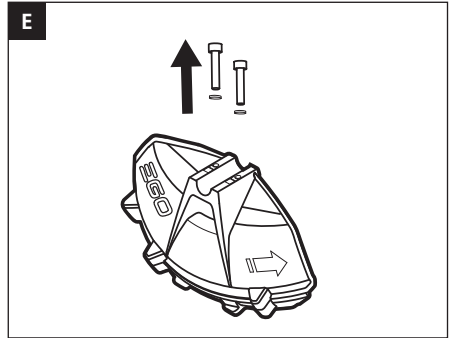
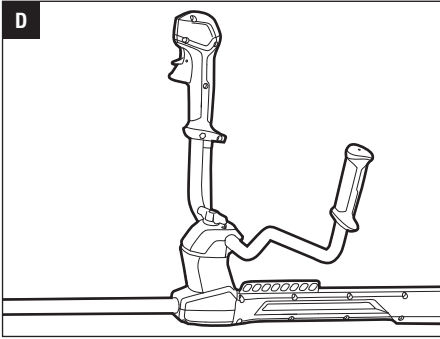


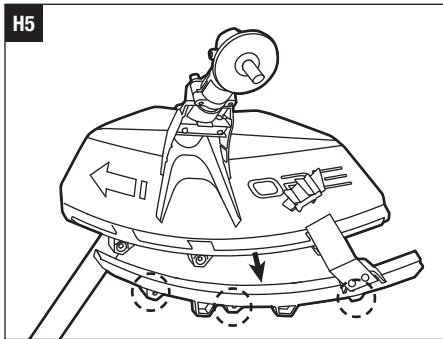
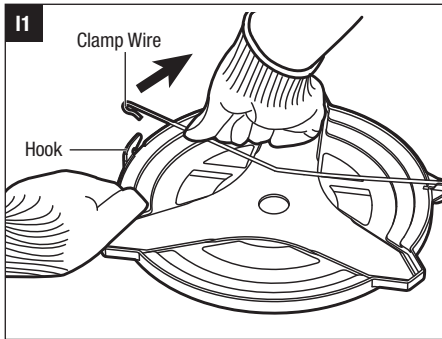
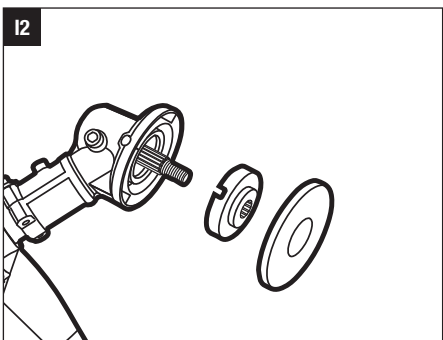
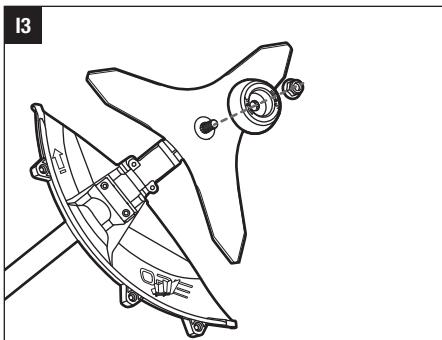
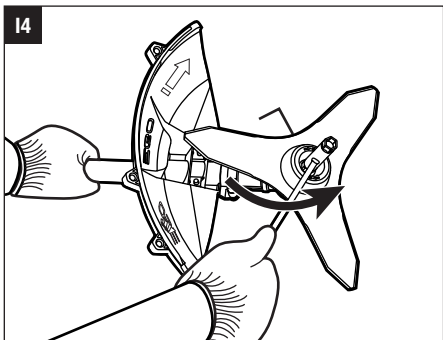
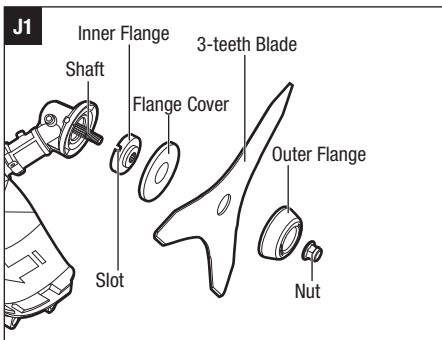
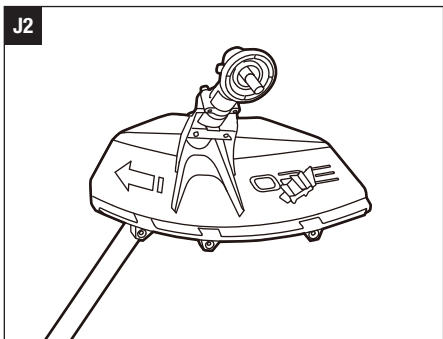
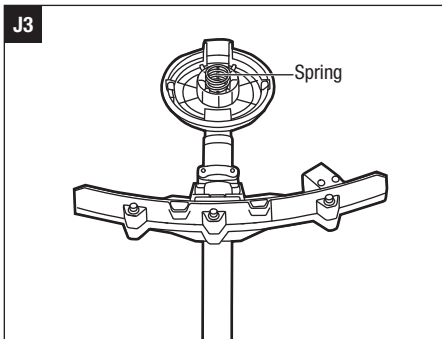
B

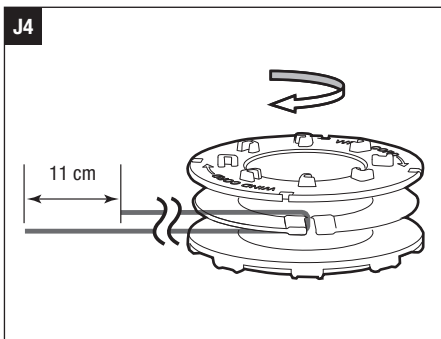
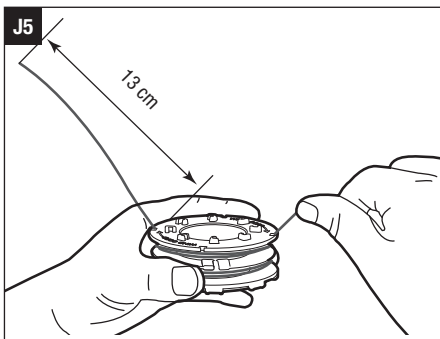
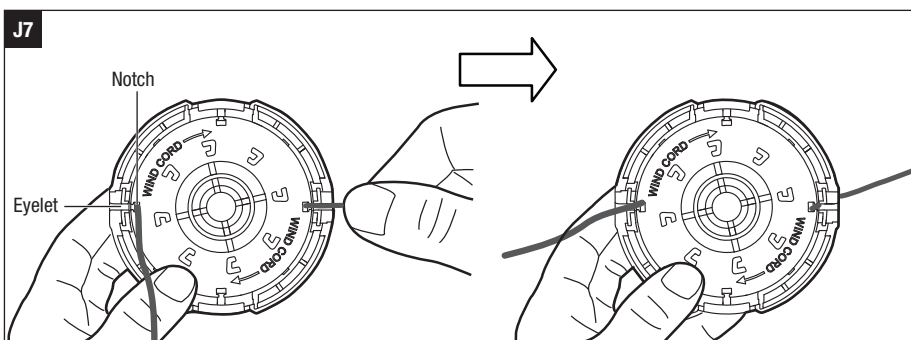
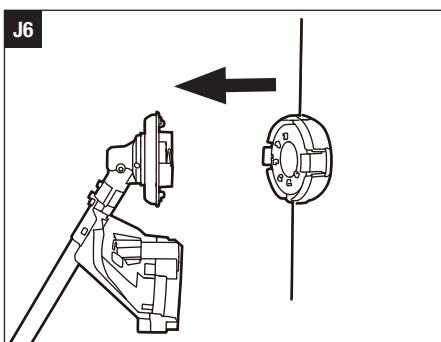
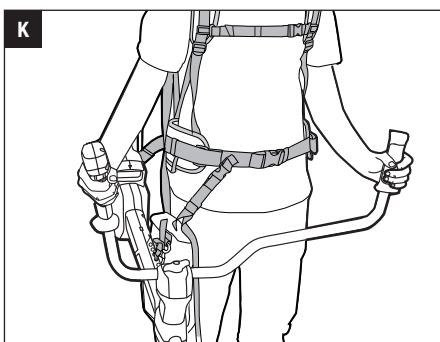
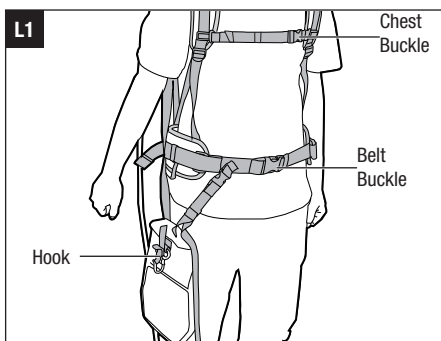
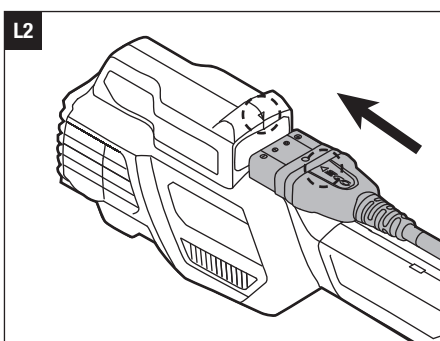


C

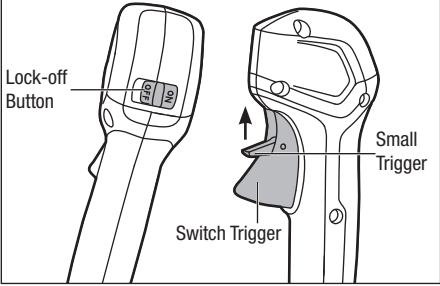




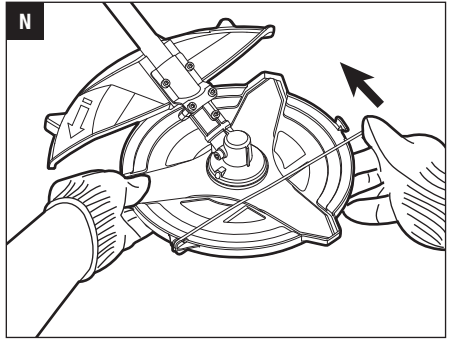
H5**I1****I2****I3****I4****J1****J2****J3**

J4**J5****J7****J6****K****L1****L2**

M



N



READ ALL INSTRUCTIONS!



READ OPERATOR'S MANUAL

WARNING: To ensure safety and reliability, all repairs and replacements should be performed by a qualified service technician.

SAFETY SYMBOLS

The purpose of safety symbols is to attract your attention to possible dangers. The safety symbols and the explanations with them deserve your careful attention and understanding. The symbol warnings do not, by themselves, eliminate any danger. The instructions and warnings they give are no substitutes for proper accident prevention measures.

WARNING: Be sure to read and understand all safety instructions in this Operator's Manual, including all safety alert symbols such as **"DANGER," "WARNING,"** and **"CAUTION"** before using this tool. Failure to follow all instructions listed below may result in electric shock, fire, and/or serious personal injury.

SYMBOL MEANING

SAFETY ALERT SYMBOL: Indicates **DANGER,** **WARNING,** or **CAUTION,** may be used in conjunction with other symbols or pictographs.

SAFETY INSTRUCTIONS

This page depicts and describes safety symbols that may appear on this product. Read, understand, and follow all instructions on the machine before attempting to assemble and operate it.

	Safety Alert	Indicates a potential personal injury hazard.
	Read Operator's Manual	To reduce the risk of injury, user must read and understand the operator's manual before using this product.
	Wear Eye Protection	Always wear safety goggles or safety glasses with side shields and a full face shield when operating this product.

	Wear Ear Protection	Always wear sound barriers (ear plugs or ear muffs) to protect your hearing.
	Wear Head Protection	Wear an approved safety hard hat to protect your head.
	Wear Protective Gloves	Protect your hands with gloves when handling blade or blade guard. Heavy-duty, nonslip gloves improve your grip and protect your hands.
	Wear Safety Footwear	Wear non-slip safety footwear when using this equipment.
	Beware of blade thrust	Warn the operator of the danger of blade thrust.
	Ricochet and Keep Bystanders Away	Thrown objects can ricochet and result in personal injury or property damage. Ensure that other people and pets remain away from the brushcutter when it is in use.
	Keep Bystanders Away	Ensure that other people and pets remain at least 15m away from the line trimmer when it is in use.
	No round blade	Do not install round cutting blades.
	Do not expose to rain	Do not use in the rain or leave outdoors while it is raining.
	WEEE	Waste electrical products should not be disposed of with household waste. Take to an authorized recycler.
	Noise	Guaranteed sound power level.
IPX5	IP Symbol	Protection against ingress of water degree 5
V	Volt	Voltage

	Direct Current	Type or a characteristic of current
n_0	No Load Speed	Rotational speed, at no load
min^{-1}	Per Minute	Revolutions per minute

GENERAL POWER TOOL SAFETY WARNINGS

⚠ WARNING: Read all safety warnings, instructions, illustrations and specifications provided with this power tool. Failure to follow all instructions listed below may result in electric shock, fire and/or serious injury.

Save all warnings and instructions for future reference.

The term “power tool” in the warnings refers to your mains-operated (corded) power tool or battery-operated (cordless) power tool.

WORK AREA SAFETY

- **Keep work area clean and well lit.** Cluttered or dark areas invite accidents.
- **Do not operate power tools in explosive atmospheres, such as in the presence of flammable liquids, petrols or dust.** Power tools create sparks which may ignite the dust or fumes.
- **Keep children and bystanders away while operating a power tool.** Distractions can cause you to lose control.

ELECTRICAL SAFETY

- **Power tool plugs must match the outlet. Never modify the plug in any way. Do not use any adaptor plugs with earthed (grounded) power tools.** Unmodified plugs and matching outlets will reduce risk of electric shock.
- **Avoid body contact with earthed or grounded surfaces, such as pipes, radiators, ranges and refrigerators.** There is an increased risk of electric shock if your body is earthed or grounded.
- **Do not expose power tools to rain or wet conditions.** Water entering a power tool will increase the risk of electric shock.
- **Do not abuse the cord. Never use the cord for carrying, pulling or unplugging the power tool. Keep cord away from heat, oil, sharp edges or moving parts.** Damaged or entangled cords increase the risk of electric shock.

- **When operating a power tool outdoors, use an extension cord suitable for outdoor use.** Use of a cord suitable for outdoor use reduces the risk of electric shock.
- **If operating a power tool in a damp location is unavoidable, use a residual current device (RCD) protected supply.** Use of an RCD reduces the risk of electric shock.

PERSONAL SAFETY

- **Stay alert, watch what you are doing and use common sense when operating a power tool. Do not use a power tool while you are tired or under the influence of drugs, alcohol medication.** A moment of inattention while operating power tools may result in serious personal injury.
- **Use personal protective equipment. Always wear eye protection.** Protective equipment such as a dust mask, non-skid safety shoes, hard hat, or hearing protection used for appropriate conditions will reduce personal injuries.
- **Prevent unintentional starting. Ensure the switch is in the off-position before connecting to power source and/or battery pack, picking up or carrying the tool.** Carrying power tools with your finger on the switch or energizing power tools that have the switch on invites accidents.
- **Remove any adjusting key or wrench before turning the power tool on.** A wrench or a key left attached to a rotating part of the power tool may result in personal injury.
- **Do not overreach. Keep proper footing and balance at all times.** This enables better control of the power tool in unexpected situations.
- **Dress properly. Do not wear loose clothing or jewelry. Keep your hair, clothing and gloves away from moving parts.** Loose clothes, jewelry or long hair can be caught in moving parts.
- **If devices are provided for the connection of dust extraction and collection facilities, ensure these are connected and properly used.** Use of dust devices can reduce dust-related hazards.
- **Recommendation that the tool always be supplied via a residual current device having a rated residual current of 30 mA or less.**
- **Do not let familiarity gained from frequent use of tools allow you to become complacent and ignore tool safety principles.** A careless action can cause severe injury within a fraction of a second.

POWER TOOL USE AND CARE

- **Do not force the power tool. Use the correct power tool for your application.** The correct power tool will do the job better and safer at the rate for which it was designed.
 - **Do not use the power tool if the switch does not turn it on and off.** Any power tool that cannot be controlled with the switch is dangerous and must be repaired.
 - **Disconnect the plug from the power source and/or remove the battery pack, if detachable, from the power tool before making any adjustments, changing accessories, or storing power tools.** Such preventive safety measures reduce the risk of starting the power tool accidentally.
 - **Store idle power tools out of the reach of children and do not allow persons unfamiliar with the power tool or these instructions to operate the power tool.** Power tools are dangerous in the hands of untrained users.
 - **Maintain power tools and accessories. Check for misalignment or binding of moving parts, breakage of parts and any other condition that may affect the power tool's operation. If damaged, have the power tool repaired before use.** Many accidents are caused by poorly maintained power tools.
 - **Keep cutting tools sharp and clean.** Properly maintained cutting tools with sharp cutting edges are less likely to bind and are easier to control.
 - **Use the power tool, accessories and tool bits etc. in accordance with these instructions, taking into account the working conditions and the work to be performed.** Use of the power tool for operations different from those intended could result in a hazardous situation.
 - **Keep handles and grasping surface dry, clean and free from oil and grease.** Slippery handles and grasping surfaces do not allow for safe handling and control of the tool in unexpected situations.
- **Under abusive conditions, liquid may be ejected from the battery; avoid contact. If contact accidentally occurs, flush with water. If liquid contacts eyes, additionally seek medical help.** Liquid ejected from the battery may cause irritation or burns.
 - **Do not use a battery pack or tool that is damaged or modified.** Damaged or modified batteries may exhibit unpredictable behaviour resulting in fire, explosion or risk of injury.
 - **Do not expose a battery pack or tool to fire or excessive temperature.** Exposure to fire or temperature above 100 °C may cause explosion.
 - **Follow all charging instructions and do not charge the battery pack or tool outside the temperature range specified in the instructions.** Charging improperly or at temperatures outside the specified range may damage the battery and increase the risk of fire.

SERVICE

- **Have your power tool serviced by a qualified repair person using only identical replacement parts.** This will ensure that the safety of the power tool is maintained.
- **Never service damaged battery packs.** Service of battery packs should only be performed by the manufacturer or authorised service providers.

TRAINING

- Read the instructions carefully. Be familiar with the controls and the proper use of the machine.
- Never allow people unfamiliar with these instructions or children to use the machine. Local regulations can restrict the age of the operator.
- Keep in mind that the operator or user is responsible for accidents or hazards occurring to other people or their property.

PREPARATION

- Never operate this product while people, especially children, or pets are nearby.
- Wear eye protection and stout shoes at all times while operating this product.
- The distance between the machine and bystanders shall be at least 15m.

OPERATION

- Use the brushcutter only in daylight or good artificial light.
- Never operate the brushcutter with damaged guards or shields or without guards or shields in place.

BATTERY TOOL USE AND CARE

- **Recharge only with the charger specified by the manufacturer.** A charger that is suitable for one type of battery pack may create a risk of fire when used with another battery pack.
- **Use power tools only with specifically designated battery packs.** Use of any other battery packs may create a risk of injury and fire.
- **When battery pack is not in use, keep it away from other metal objects, like paper clips, coins, keys, nails, screws or other small metal objects, that can make a connection from one terminal to another.** Shorting the battery terminals together may cause burns or a fire.

- Switch on the motor only when the hands and feet are away from the cutting means.
- Always disconnect the brushcutter from the power supply (i.e. remove the battery pack).
 - whenever leaving the brushcutter unattended;
 - before clearing a blockage;
 - before checking, cleaning or working on the brushcutter;
 - after striking a foreign object;
 - whenever the brushcutter starts vibrating abnormally.
- Take care against injury to feet and hands from the cutting means.
- Always ensure that the ventilation openings are kept clear of debris.

MAINTENANCE AND STORAGE

- Disconnect the brushcutter from the power supply (i.e. remove the battery pack) before carrying out maintenance or cleaning work.
- Use only the manufacturer's recommended replacement parts and accessories.
- Inspect and maintain the brushcutter regularly. Have the machine repaired only by an authorised repairer.
- When not in use, store the brushcutter out of the reach of children.

OTHER SAFETY WARNINGS

- **Avoid dangerous environments** - Don't use appliances on damp or wet slope.
- **Keep guards in place and in working order.**
- **Keep hands and feet away from the cutting area.**
- **Store brushcutter indoors** - When not in use the brushcutter should be stored indoors in a dry and high or locked-up place with the battery pack removed- out of reach of children.
- **Before using the brushcutter and after any impact, check for signs of wear or damage and repair as necessary.**
- **If the equipment should start to vibrate abnormally, stop the motor, remove the battery pack from the brushcutter and check immediately for the cause.** Vibration is generally a warning of trouble. A loose cutting unit may vibrate, crack, break or come off the brushcutter, which may result in serious or fatal injury. Make sure that the cutting unit is properly installed and securely fastened. If the cutting unit loosens after fixing it in position, replace it immediately. Never use a brushcutter with a loose cutting unit.

- **To reduce the risk of injury, never work on a ladder or on any other insecure support. Never hold the cutting unit above waist height.**
- **Check the cutting unit at regular short intervals during operation, or immediately if there is a noticeable change in cutting behavior.**
- **For best results, your battery should be charged in a location where the temperature is greater than 5° C and less than 40° C.** Do not store it outside or in vehicles.
- **Only use EGO blade accessories and blade that are designed for use with this brushcutter. Unauthorized units might be extremely dangerous, and/or damaging to the tools.**
- **If you are approached, stop the motor and cutting unit.**
- **Warn the operator of the danger of blade thrust (only using with 3-teeth blade).**
 - Blade thrust may occur when the spinning blade contacts an object that it does not immediately cut.
 - Blade thrust can be violent enough to cause the unit and/or operator to be propelled in any direction, and possibly lose control of the unit.
 - Blade thrust can occur without warning if the blade snags, stalls or binds.
 - Blade thrust is more likely to occur in areas where it is difficult to see the material being cut.
- **Do not attach any blade to a unit without proper installation of all required parts. Failure to use the proper parts can cause the blade to fly off and seriously injure the operator and/or bystanders. Discard blades that are bent, warped, cracked, broken, or damaged in any way. Use a sharp blade. A dull blade is more likely to snag and thrust (only using with 3-teeth blade).**
- **A coasting blade/line can cause injury while it continues to spin after the motor is stopped or trigger is released. Maintain proper control until the blade/line has completely stopped rotating.**
- Use only with EGO's battery packs and chargers listed below:

BATTERY PACK	CHARGER
BAX1500 BH1000	CHX5500E

- **Battery tools do not have to be plugged into an electrical outlet; therefore, they are always in operating condition.** Be aware of possible hazards even when the tool is not operating. Take care when performing maintenance or service.

- Do not wash with a hose; avoid getting water in motor and electrical connections.
- If situations occur that are not covered in this manual, use care and good judgment. Contact the EGO Customer Service Center for assistance.

SAVE THESE INSTRUCTIONS!

SPECIFICATIONS

Cutting unit	Trimmer head	3-teeth metal blade
Voltage	56V	56V
No-load Speed	Up to 5800/min	Up to 5800/min
Recommended Operating Temperature:	0°C-40°C	
Recommended Storage Temperature:	-20°C-70°C	
Cutting Line Type	2.4mm	/
Cutting blade	/	ABB1203
Cutting Width	38cm	30cm
Weight	6.8kg	6.46kg
Sound pressure level	67dB(A)	67dB(A)

5. Lock-off Button
6. Wing Bolt
7. Hook
8. Socket
9. Guard Plate
10. Bike Handle
11. Sealing Screw
12. Shaft-locking Hole
13. Line-cutting Blade
14. Guard Accessory
15. 3-teeth Blade
16. Blade Sheath
17. Outer Flange
18. Nut
19. Multi-function Wrench
20. Hex Wrench
- 21*. Hip-pad (Sold separately)

⚠ WARNING: Never operate the tool without the guard firmly in place. The guard must always be on the tool to protect the user.

⚠ WARNING: When the tool is equipped with a trimmer head, the guard accessory with line-cutting blade should be mounted onto the guard. Failure to comply will result in overly long cutting line and overload the motor. Never use the trimmer head without guard accessory.

PACKING LIST

PART NAME	QUANTITY
Brushcutter	1
3-teeth blade with Sheath	1
Guard Assembly	1
Nut	1
Outer Flange	1
Hex Wrench	1
Multi-Function Wrench	1
Hip-pad	1
Operator's manual	1

ASSEMBLY

⚠ WARNING: If any parts are damaged or missing, do not operate the brushcutter until the parts are replaced. Use of the brushcutter with damaged or missing parts could result in serious personal injury.

⚠ WARNING: Do not attempt to modify the brushcutter or create accessories not recommended for use with this product. Any such alteration or modification is misuse and could result in a hazardous condition leading to possibly serious personal injury.

⚠ WARNING: Always wear heavy gloves when installing or removing the guard and doing any maintenance on the 3-teeth blade/line-cutting blade. Be careful of the line-cutting blade on the guard accessory / 3-teeth blade for protecting your hands from being injured by both the blades.

DESCRIPTION

KNOW YOUR BRUSHCUTTER (Fig. A)

1. Trimmer Line
2. Guard Assembly
3. Shaft
4. Trigger

⚠ WARNING: To prevent accidental starting that could cause serious personal injury, always remove the battery pack from the tool when assembling parts, making adjustments, cleaning, or when not in use.

⚠ WARNING: Never operate the tool without the guard and bike handle firmly in place. Failure to comply could result in possible serious personal injury.

MOUNTING AND ADJUSTING THE BIKE HANDLE

The brushcutter is stored as shown in Fig. B. Firstly, loosen the wing bolt on the connecting joint and then lift the bike handle 180° around the shaft (Fig. C), turn it 90° anticlockwise to make it face the bump head (Fig. D). Lastly, move it back and forth to achieve a comfortable working position and tighten the bolt.

NOTICE: Operating the machine with the bike handle perpendicular to the shaft is only permitted.

MOUNTING THE GUARD

Loosen and remove the two screws from the guard (Fig. E), align the guard mounting holes with the assembly holes and then lock the guard onto the shaft base with the two screws, together with two spring washers (Fig. F).

⚠ WARNING: Make sure the guard is fixed according to Fig. F & G, any reverse fixing will cause great danger!

⚠ WARNING: When the brushcutter is equipped with a trimmer head, the guard accessory must be mounted onto the guard. Failure to comply could result in an overly long cutting line and motor overload.

REPLACE THE TRIMMER HEAD WITH THE 3-TEETH BLADE

Know the trimmer head as Fig. G shown. Then disassemble the trimmer head and mount the 3-teeth blade on the brushcutter.

1. Press the release tabs on the spool retainer and remove the spool retainer by pulling it straight out (Fig. H1 & H2).
2. Rotate the upper housing assembly to align the slot in the flange with the shaft-locking hole in the gear case and insert a stabilizer into the hole (Fig. H3).
3. Rotate the socket wrench clockwise to remove the nut and upper housing assembly (Fig. H4).
4. Remove the guard accessory by loosening the three screws with washer (Fig. H5).

5. The blade is shipped with a sheath. Before mounting the blade onto the brushcutter, the sheath should be removed by undoing the clamp wire from the hook on the sheath (Fig. I1).

NOTICE: To protect against injury, you have to wear gloves prior to any operation with the 3-teeth blade.

6. Mount the inner flange and flange cover into its place (Fig. I2).
7. Mount the blade onto the motor shaft, ensuring that the surface of the blade is flush with the surface of the inner flange bulge. Mount the outer flange and the nut (Fig. I3). Pre-tighten the nut in a COUNTERCLOCKWISE direction by hand.
8. Position the gear case against a solid surface for support. With one hand hold the brushcutter shaft and the other hand grasp the multi-function wrench to tighten the nut following the directional arrow icon marked on the outer flange (Fig. I4).

REPLACE THE 3-TEETH BLADE WITH THE TRIMMER HEAD

Know the 3-teeth blade cutting unit as Fig. J1 shown. Then disassemble 3-teeth blade and mount the trimmer head on the brushcutter.

1. Rotate the blade to align the slot in the flange with the shaft-locking hole in the gear case and insert a stabiliser into the hole.
2. Position the gear case against a solid surface for support. With one hand hold the brushcutter shaft and the other hand grasp the multi-function wrench to loosen the nut clockwise.
3. Take out the nut, outer flange, blade, inner flange cover and inner flange from the brushcutter (Fig. J2).

NOTICE: When the 3-teeth blade is unused, to prevent personal injury, mount the blade into its sheath.

4. Assemble the guard accessory to the brushcutter by tighten three screws with washer.
5. Mount the lower housing onto the gear case by tightening the nut and put the spring into its place (Fig. J3).
6. Fold and wind trimmer line onto the spool as Fig. J4 shown. Then place the line ends through the two opposite notches in the spool (Fig. J5) and place the spool into its retainer with notches aligned with retainer eyelets (Fig. J7). Lastly, align the retainer slots with the tabs on the spool base and press the retainer evenly down, ensuring that it snaps into place (Fig. J6).

NOTICE: Failure to wind the line in the direction indicated it will cause the trimmer head to operate incorrectly.

OPERATION

⚠ WARNING: Do not allow familiarity with this product to make you careless. Remember that a careless fraction of a second is sufficient to inflict serious injury.

⚠ WARNING: Always wear eye protection, along with hearing protection. Failure to do so could result in objects being thrown into your eyes and other possible serious injuries.

⚠ WARNING: Do not use any attachments or accessories not recommended by the manufacturer of this product. The use of attachments or accessories not recommended can result in serious personal injury.

HOLDING THE BRUSHCUTTER

Before connect the backpack battery with the brushcutter, wear your backpack battery and mount the hip-pad your backpack harness referring to BAX1500 and AHP1500 manual.

Mount the brushcutter with your hip-pad by connecting the hook to the mounting hole (Fig. K). There are 8 holes upon the shaft, choosing an optimum hole for comfortable operation.

Hold the line trimmer with both hands on the right side of your body. The trimmer head or blade should be parallel to the ground at a proper cutting distance without the operator bending over.

Releasing the brushcutter can be achieved in two ways. Release the chest and belt buckles (Fig.L1) or press the hook of the hip-pad and take it apart from the mounting hole on the shaft.

⚠ WARNING: When emergency occurs, releasing the chest and belt buckles is the quick release method to release the brushcutter.

⚠ WARNING: You should not use the single-shoulder strap and double-shoulder strap with backpack battery simultaneously.

To Install Battery Pack (Fig. L2)

Align ▲ of plug with ▲ of brushcutter. Insert the plug into the machine until the green seal completely disappeared into the socket.

To Remove

Release the battery cord from the mounting groove and pull out the plug from the brushcutter.

STARTING/STOPPING THE BRUSHCUTTER

To Start

Push the lock-off button to position "ON" (Fig. M). Move the small trigger upwards and then press the switch trigger to start the brushcutter. Different pressure on the trigger results in variable rotating speed of the cutting unit.

To Stop

Release the switch trigger and push the lock-off button back to position "OFF".

⚠ WARNING: Always remove the battery pack from the line trimmer during work breaks and after finishing work.

USING THE BRUSHCUTTER

⚠ WARNING: Dress properly to reduce the risk of injury when operating the brushcutter. Do not wear loose clothing or jewelry. Wear eye and ear/hearing protection. Wear heavy duty, long trousers, boots and gloves. Do not wear short trousers, sandals or go barefoot. Before operating, look around you to ensure a safety working area without other people, animals or any loose objects. Make sure they are at least 15m away. And then check for eye protection, proper clothing and balanced footing.

Before each use check for damaged/worn parts. Check the trimmer head, 3-teeth blade, guard, guard accessory and bike handle and replace any parts that are cracked, warped, bent, or damaged in any way. The line-cutting blade on the edge of the guard accessory can dull over time. It is recommended that you periodically sharpen it with a file or replace it with a new blade.

After each use, clean the brushcutter

Using with Trimmer Head

Adjusting cutting line length

The trimmer head allows the operator to release more cutting line without stopping the motor. As line becomes frayed or worn, additional line can be released by lightly tapping the bump knob on the ground while operating the trimmer.

NOTICE: Line release will become more difficult if the cutting line becomes too short.

⚠ WARNING: Do not remove or alter the line-cutting blade assembly. Excessive line length will cause the motor to overheat and may result in serious personal injury.

Line replacement

⚠ WARNING: Never use metal-reinforced line, wire, or rope, etc. These can break off and become dangerous projectiles.

Press the release tabs on the spool retainer and pull the spool retainer out (Fig. H1 & H2). Follow the step 6 of “**REPLACE THE 3-TEETH BLADE WITH THE TRIMMER HEAD**” to assemble a new trimmer line to the brushcutter.

Using with 3-Teeth Blade

⚠ WARNING: To cut wild growth and scrub, lower the rotating 3-teeth blade down onto the growth to achieve a chopping effect. Use the brushcutter like a scythe (sweep it to the right and left) at ground level. Do not use the cutting unit above waist height.

⚠ WARNING: The higher the cutting unit is off the ground, the greater the risk of injury from cuttings being thrown sideways.

⚠ WARNING: When cutting young stands or other woody materials up to 2cm in diameter, use the left side of the blade to avoid blade thrust situations. Do not attempt to cut woody material with a larger diameter, since the blade may catch or jerk the brushcutter forward. This may cause damage to the blade or the brushcutter or loss of control of the brushcutter, resulting personal injury.

⚠ WARNING: Improper use of a blade may cause it to crack, chip, or shatter. Thrown parts may seriously injure the operator or bystander. To reduce the risk of personal injury, it is essential to take the following precautions:

- Avoid contact with hard or solid foreign objects such as stones, rocks or pieces of metal.
- Never cut wood or shrubs with a stem diameter of more than 2cm.
- Inspect the blade at a regular short interval for signs of damage. Do not continue working with a damaged blade.
- Re-sharpen the blade regularly (when it has dulled noticeably) and have it balanced if necessary (performed by a qualified service technician).

Blade Thrust

Exercise extreme caution when using the 3-teeth blade with this unit. Blade thrust is the reaction that may occur when the spinning blade contacts anything it cannot cut. This contact may cause the blade to stop for an instant and suddenly “thrust” the unit away from the object that was hit. This reaction can be violent enough to cause the operator to lose control of the unit. Blade thrust can occur without warning if the blade snags, stalls, or binds. This is more likely to occur

in areas where it is difficult to see the material being cut. For cutting ease and safety, approach the weeds being cut with the brushcutter from the right to the left. In the event an unexpected object or woody stock is encountered, this practice could minimise the blade thrust reaction.

MAINTENANCE

⚠ WARNING: Before inspecting, cleaning or servicing the unit, stop the motor, wait for all moving parts to stop, and remove the battery pack. Failure to follow these instructions can result in serious personal injury or property damage.

⚠ WARNING: When servicing, use only identical replacement parts. Use of any other parts may create a hazard or cause product damage. To ensure safety and reliability, all repairs should be performed by a qualified service technician.

GENERAL MAINTENANCE

Avoid using solvents when cleaning plastic parts. Most plastics are susceptible to damage from various types of commercial solvents and may be damaged by their use. Use clean clothes to remove dirt, dust, oil, grease, etc.

CLEAN THE MACHINE

- After each use of 3-teeth blade / trimmer head, clean the debris, clogged soils or grass on the blade and guard with a soft brush.

NOTICE: When the line-cutting blade becomes dull, please sharpen it performed by a qualified service technician or replace with a new line-cutting blade as necessary.

- After each use of brushcutter, clean the cutting unit using a damp cloth with a mild detergent.
- Do not use any strong detergents on the plastic housing or the handle. They can be damaged by certain aromatic oils, such as pine and lemon, and by solvents such as kerosene. Moisture can also cause a shock hazard. Wipe off any moisture with a soft dry cloth.
- Use a small brush or a small vacuum cleaner to clean the air vents on the rear housing.

LUBRICATE THE GEAR CASE

For best operation and longer lifetime, lubricate the gear case with a special grease (4-5g each time) after every 50 hours operation.

The special grease should meet the following requirements.

1. Belong to DIN51818: NLGI-1 cone penetration degree.
2. Ester base grease.

3. Excellent low-temperature startup, EP, mechanical shearing, abrasion resistance and oxidative stability properties.
4. Operation temperature must contain -40~180°C.

Remove the battery plug and the sealing screw. Lubricating the gear case through the oil-hole.

⚠ WARNING: Do not lubricate while the brushcutter is still connected with battery or running.

STORING THE MACHINE

- Remove the battery pack from the tool.
- Wear heavy gloves to clean the tool thoroughly.
- Mount the blade sheath onto the 3-teeth blade for safe saving (Fig. N).
- Store the unit in a dry, well-ventilated area, locked-up or up high, out of the reach of children. Do not store the machine on or adjacent to fertilisers, petrol, or other chemicals.

NOTICE: Do not operate your brushcutter with dull or damaged cutting blades. This may cause overload and will give unsatisfactory cutting results.

Protecting the environment



Do not dispose of electrical appliances as unsorted municipal waste, use separate collection facilities.

Contact your local government for information regarding the collection systems available.

If electrical appliances are disposed of in landfills or dumps, hazardous substances can leak into the groundwater and get into the food chain, damaging your health and well-being.

TROUBLESHOOTING

PROBLEM	CAUSE SOLUTION	SOLUTION
Fail to start.	<ul style="list-style-type: none"> ■ The battery pack is not attached to the brushcutter or no electrical contact between the brushcutter and battery. ■ The battery pack is depleted. ■ The lock-off button has not pushed to position "ON" before pressing the switch levels. 	<ul style="list-style-type: none"> ■ Reinsert the battery plug into the hedge trimmer ■ Charge the battery pack with the specified charger. ■ Before using the trimmer, confirm the lock button is unlocked.
Stop working.	<ul style="list-style-type: none"> ■ The battery pack or brushcutter is too hot. ■ The brushcutter is overload. ■ The battery pack is disconnected from the tool. ■ The battery pack is deleted. 	<ul style="list-style-type: none"> ■ Allow the battery pack or hedge trimmer to cool until the temperature to normal temperature. ■ The machine will recover when the load is removed. For continuous working, reduce the load of the machine. ■ Re-install the battery pack. ■ Charge the battery pack with the specified charger.
Excessive vibration or noise.	<ul style="list-style-type: none"> ■ Dry gearbox ■ The unbalance cutting line. ■ The 3-teeth blade is bent or damaged 	<ul style="list-style-type: none"> ■ Remove sealing screw and add lubricating oil. ■ Lightly tap the bump knob on the ground while operating the trimmer. ■ Replace a new blade.
The cutting line can't be released.	<ul style="list-style-type: none"> ■ The line in the trimmer head has been run out. ■ The cutting line has not been installed properly. 	<ul style="list-style-type: none"> ■ Assemble a new cutting line into the brushcutter. ■ Remove the cutting line and re-assemble the cutting line.

WARRANTY EN

EGO WARRANTY POLICY

2 year warranty on EGO outdoor power equipment and 2 year warranty on EGO Power+ System battery packs and chargers.

Please contact EGO customer service on Australia 1300 000 EGO(1300 000 346), New Zealand 0508 000 EGO (0508 000 346) any time you have questions or warranty claims.

LIMITED SERVICE WARRANTY

FOR TWO YEARS from the date of original retail purchase, this EGO product is warranted against defects in material or workmanship. Defective product will receive free repair.

FOR TWO YEARS from the date of original retail purchase, the EGO Power+ System battery pack and charger are warranted against defects in material or workmanship. Defective product will receive free repair.

This warranty does not cover the blade, which is a part that can wear out from normal use within the warranty period.

- This warranty applies only to the original purchaser at retail and may not be transferred.
- Warranty for commercial use is 1 year on all product, battery and chargers. The Commercial Series Product Warranty for commercial users is 2 years for product, battery and charger.
- This warranty is void if the product has been used for rental purpose.
- This warranty does not cover the damage resulting from modification, alteration or unauthorised repair.
- This warranty only covers defects arising under normal usage and does not cover any malfunction, failure or defect resulting from misuse, abuse (including overloading of the product beyond capacity and exposure to water or rain), accidents, neglect or lack of proper installation, and improper maintenance or storage.
- This warranty does not cover normal deterioration of the exterior finish, including but not limited to scratches, dents, paint chips, or to any corrosion or discoloring by heat, abrasive and chemical cleaners.

HOW TO OBTAIN SERVICE

For warranty service, please contact EGO customer service on Australia 1300 000 EGO(1300 000 346),

New Zealand 0508 000 EGO (0508 000 346). When requesting warranty service, you must present the original dated sales receipt. An authorised service center will be selected to repair the product according to the stated warranty terms.

ADDITIONAL LIMITATIONS

Chervon Australia Pty Ltd ABN 36 165 077 501 (“Chervon”) warrants to the original domestic purchaser that this product will be free from defects in materials and workmanship for 2 years from date of purchase, and any battery or charger will be free from defects in materials and workmanship for 2 years from date of purchase. To make a claim, return the faulty item together with proof of purchase directly to your closest service agent or to the place of purchase. Any handling and transportation costs (and other expenses incurred in claiming this warranty) are not covered by this warranty and will not be borne by Chervon. The replacement product or part or repaired product will be made available for your collection at an address nominated by Chervon. Where a valid warranty claim is made, Chervon will replace the defective product or repair the fault. Where the product is repaired, Chervon may use refurbished parts. This warranty does not cover normal wear and tear, misuse or abuse. This warranty may also be further limited or voided as specifically detailed in the product Manual. Chervon has no other liability under this warranty. The benefits to you given by this warranty are in addition to other rights and remedies imposed by State and Federal legislation that cannot be excluded. Our goods come with guarantees that cannot be excluded under the Australian Consumer Law. You are entitled to a replacement or refund for a major failure and compensation for any other reasonably foreseeable loss or damage. You are also entitled to have the goods repaired or replaced if the goods fail to be of acceptable quality and the failure does not amount to a major failure. Chervon Australia Pty Ltd, Unit Unit 14, 5 Kelletts Road, Rowville, VIC 3178. Phone Number: Australia 1300 000 EGO(1300 000 346), New Zealand 0508 000 EGO (0508 000 346). Email address: support@egopowerplus.com.au.

